

General Description

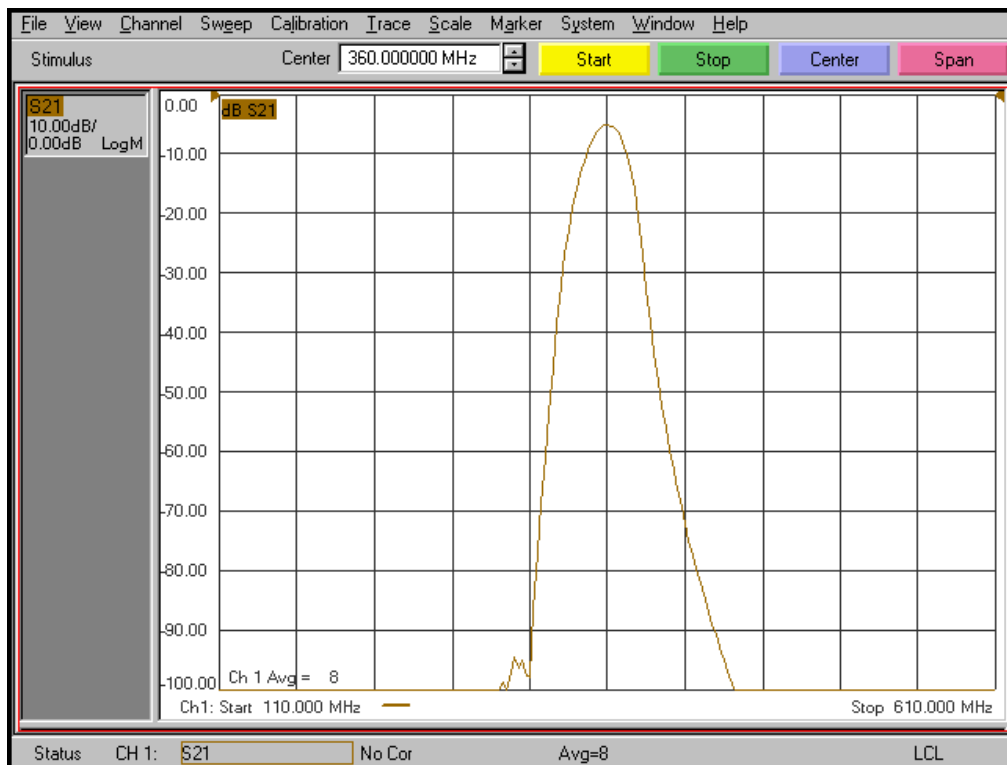
KR Electronics part number 3218-360-SMA is a 360 MHz linear phase bandpass filter. The filter has a 3 dB bandwidth of 20 MHz. Other frequencies are available. Please consult the factory.

Features

- 360 MHz Bandpass Filter
- Linear Phase / Constant Group Delay
- 3 dB Bandwidth 20 MHz
- 50 Ω Source and Load
- SMA Connectors Surface Mount Also Available

Typical Performance

Overall Response (10 dB/div)

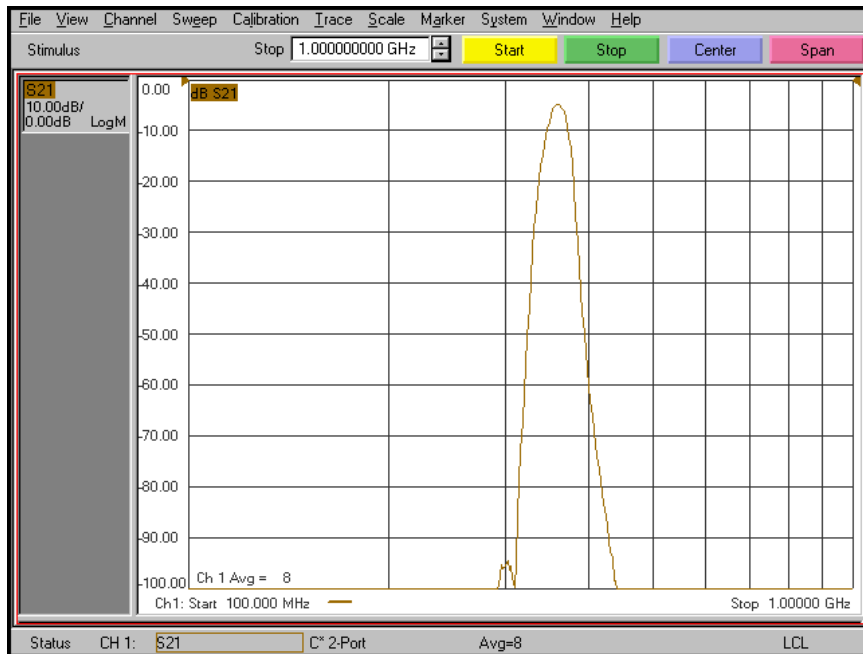


Typical Performance

Passband Amplitude & Group Delay
(1 dB/div & 5 nsec/div)



Overall Response
(10 dB/div)



KR Electronics, Inc.
91 Avenel Street
Avenel, NJ 07001

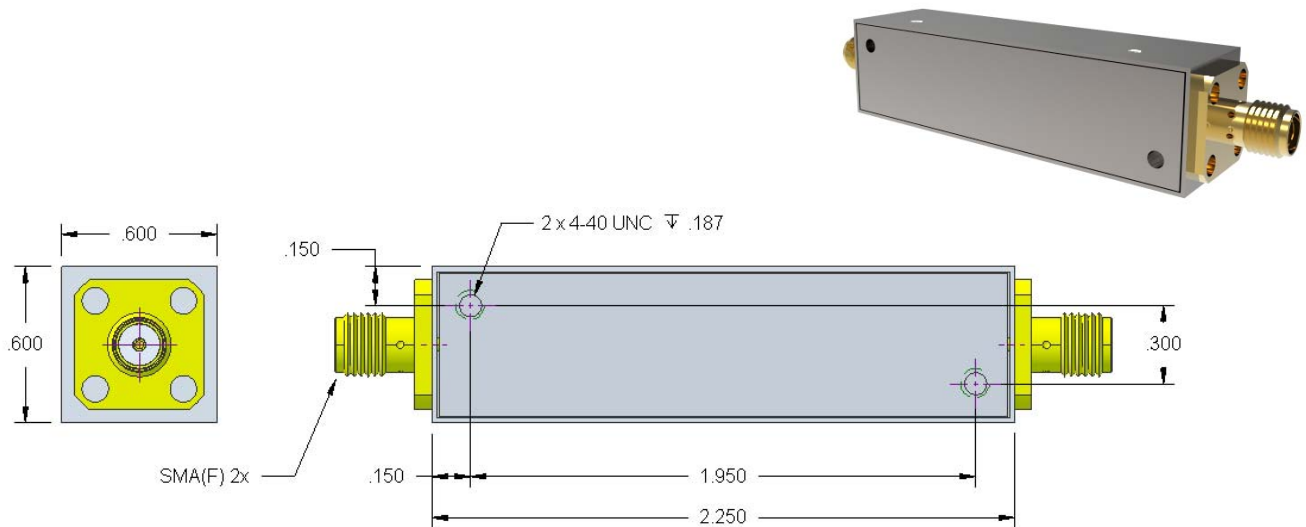
Web: www.krfilters.com
Email: sales@krfilters.com
Phone: (732) 636-1900
Fax: (732) 636-1982

KR Electronics 3218-360-SMA

Specifications

Parameter	Specification	Notes
Filter type	Bandpass	
Center Frequency (Fc)	360 MHz	
Insertion Loss (at Fc)	6 dBa max	5 dBa typical
3 dBc Bandwidth	20 MHz ± 2 MHz	
Passband Group Delay Variation	± 5 nsec max	
25 dBc Bandwidth	74 MHz max	61 MHz typical
50 dBc Bandwidth	75 MHz typical	
60 dBc Bandwidth	85 MHz typical	
Source and Load	50 Ω	

Physical Dimensions



Notes:

1. Dimensions in inches
2. Rectangular case
3. Also available in surface mount package

KR Electronics, Inc.
91 Avenel Street
Avenel, NJ 07001

Web www.krfilters.com
Email sales@krfilters.com
Phone (732) 636-1900
Fax (732) 636-1982