

## General Description

KR Electronics part number 3215-SMA is a 141 MHz band-pass filter. The filter has a min 1 dB bandwidth of 66 MHz. Other frequencies are available. Please consult the factory.

## Features

- 141 MHz Bandpass Filter
- 1 dB Bandwidth 66 MHz min
- 50 dB Bandwidth 145 MHz max
- Sharp Elliptic Type Design
- 50  $\Omega$  Source and Load
- SMA Connectors
- Surface Mount Package Available

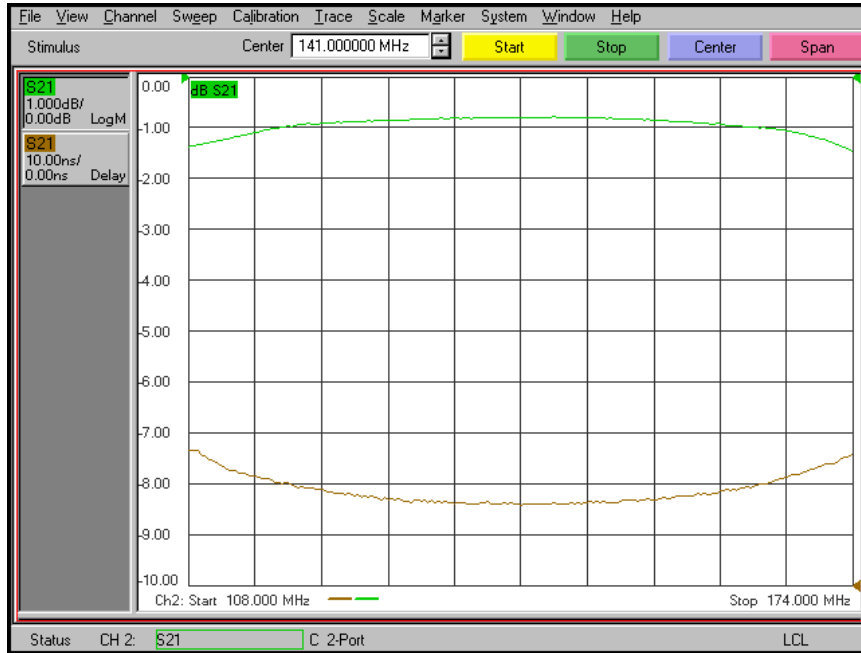
## Typical Performance

### Overall Response (10 dB/div)



Typical Performance

**Passband Amplitude & Group Delay**  
(1 dB/div & 10 nsec/div)



**Overall Response**  
(10 dB/div)



KR Electronics, Inc.  
91 Avenel Street  
Avenel, NJ 07001

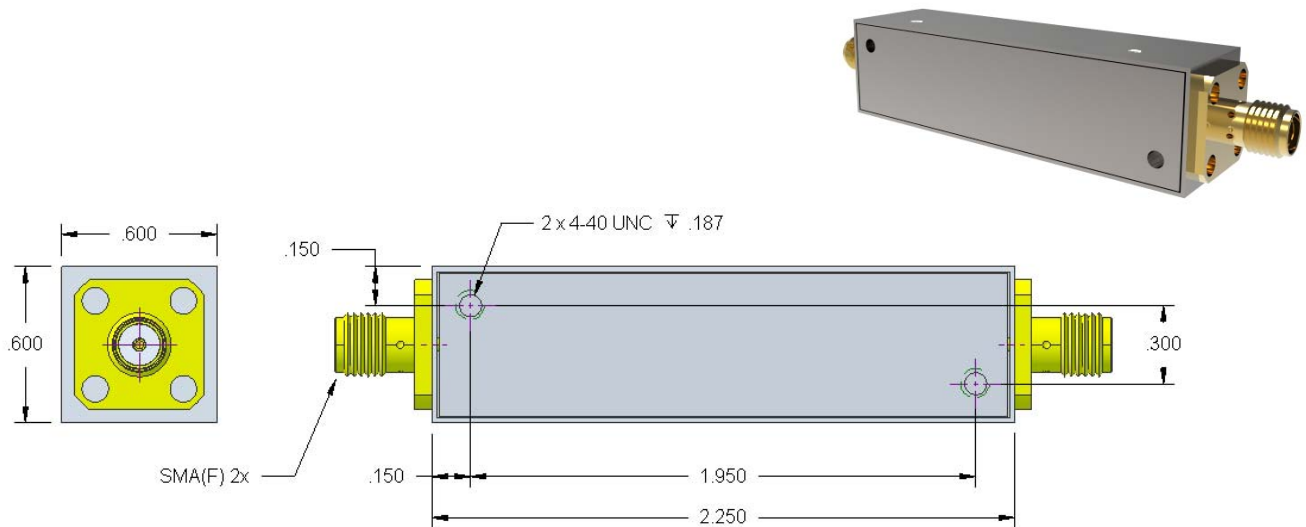
Web [www.krfilters.com](http://www.krfilters.com)  
Email [sales@krfilters.com](mailto:sales@krfilters.com)  
Phone (732) 636-1900  
Fax (732) 636-1982

# KR Electronics 3215-SMA

## Specifications

Parameter	Specification	Notes
Filter type	Bandpass	
Center Frequency (Fc)	141 MHz	
Insertion Loss (at Fc)	1.5 dBa max	< 1 dBa typical
1 dBc Bandwidth	66 MHz min	71 MHz typical
Rejection DC to 60 MHz	50 dBc min	
Rejection 205 MHz to 500 MHz	50 dBc min	
Source and Load	50 Ω	

## Physical Dimensions



### Notes:

1. Dimensions in inches
2. Rectangular case
3. Also available in surface mount package

KR Electronics, Inc.  
91 Avenel Street  
Avenel, NJ 07001

Web [www.krfilters.com](http://www.krfilters.com)  
Email [sales@krfilters.com](mailto:sales@krfilters.com)  
Phone (732) 636-1900  
Fax (732) 636-1982