

KR Electronics, Inc.

General Description

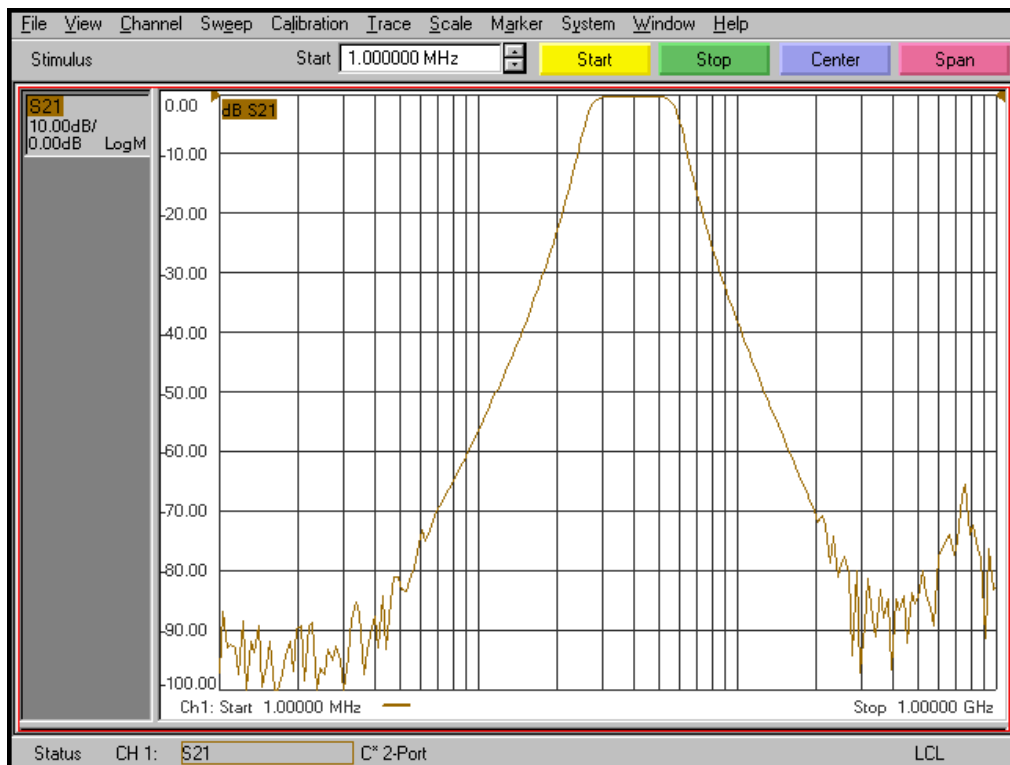
KR Electronics part number 3212-41+ is a 41 MHz bandpass filter. Other frequencies are available. Please consult the factory.

Features

- 41 MHz Bandpass Filter
- 3 dB Bandwidth 32 MHz typical
- 50 Ω Source and Load
- Surface Mount

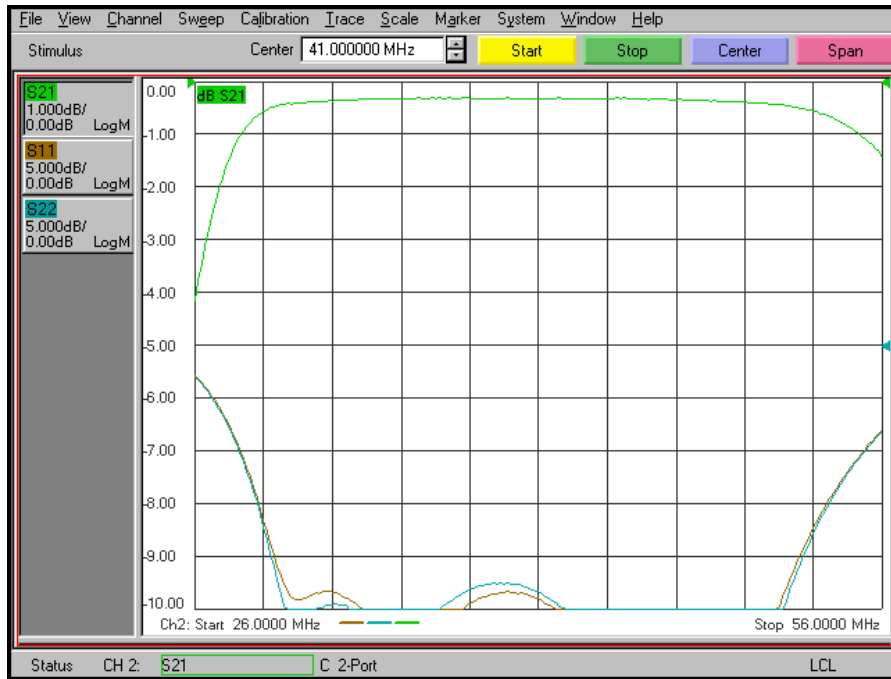
Typical Performance

Overall Response (10 dB/div)



KR Electronics 3212-41+

Passband Amplitude & Return Loss (1 dB/div & 5 dB/div)



Overall Response (10 dB/div)



KR Electronics, Inc.
91 Avenel Street
Avenel, NJ 07001

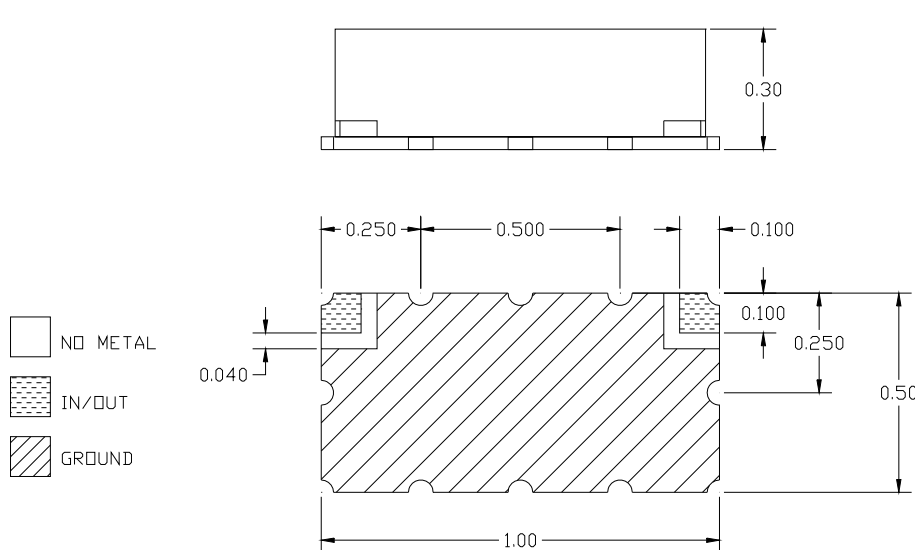
Web www.krfilters.com
Email sales@krfilters.com
Phone (732) 636-1900
Fax (732) 636-1982

KR Electronics 3212-41+

Specifications

Parameter	Specification	Notes
Filter type	Bandpass	
Center Frequency	41 MHz	
Insertion Loss	2 dBa max	0.4 dBa typical
1 dB Bandwidth	22 MHz min	27 MHz typical
3 dB Bandwidth	32 MHz typical	
Rejection at 13.5 MHz & 111.5 MHz	25 dB min	
40 dB Bandwidth	89 MHz typical	
50 dB Bandwidth	115 MHz typical	
Source and Load	50 Ω	

Physical Dimensions



Notes:

1. Surface mount package
2. Dimensions in inches
3. Max reflow temperature 230° C for 10 sec
4. If boards are cleaned after installation units must be completely dried