

## General Description

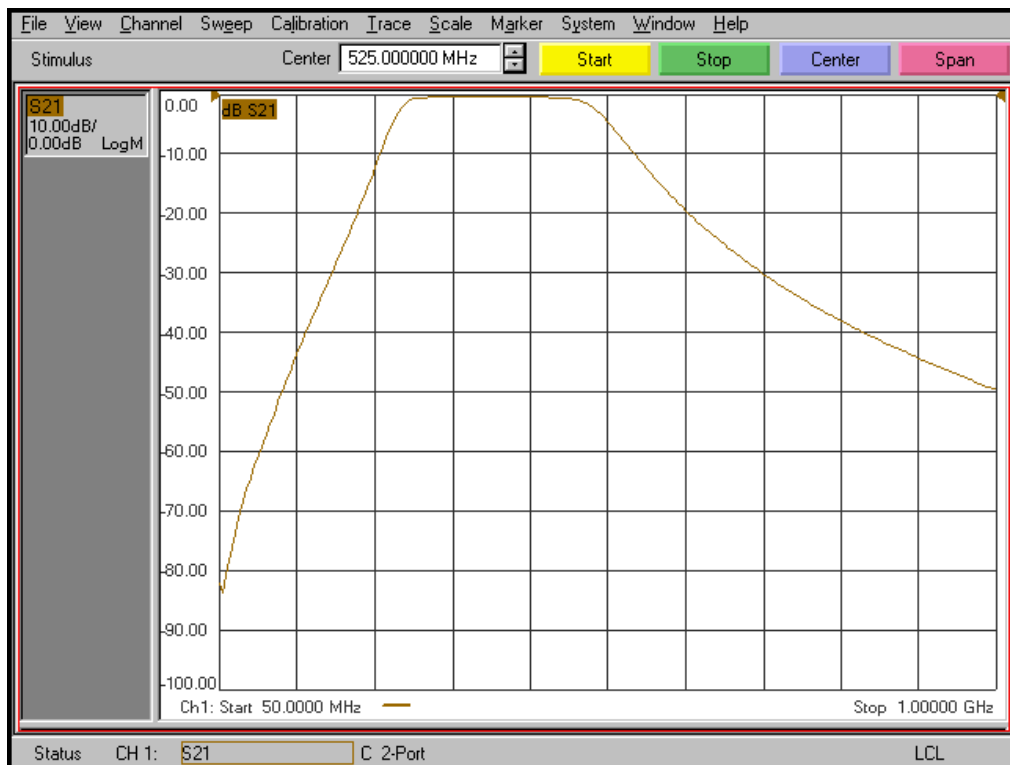
KR Electronics part number 3212-387.5+ is a 387.5 MHz band-pass filter. Other frequencies are available. Please consult the factory.

### Features

- 387.5 MHz Bandpass Filter
- 3 dB Bandwidth 249 MHz typical
- 50  $\Omega$  Source and Load
- Surface Mount

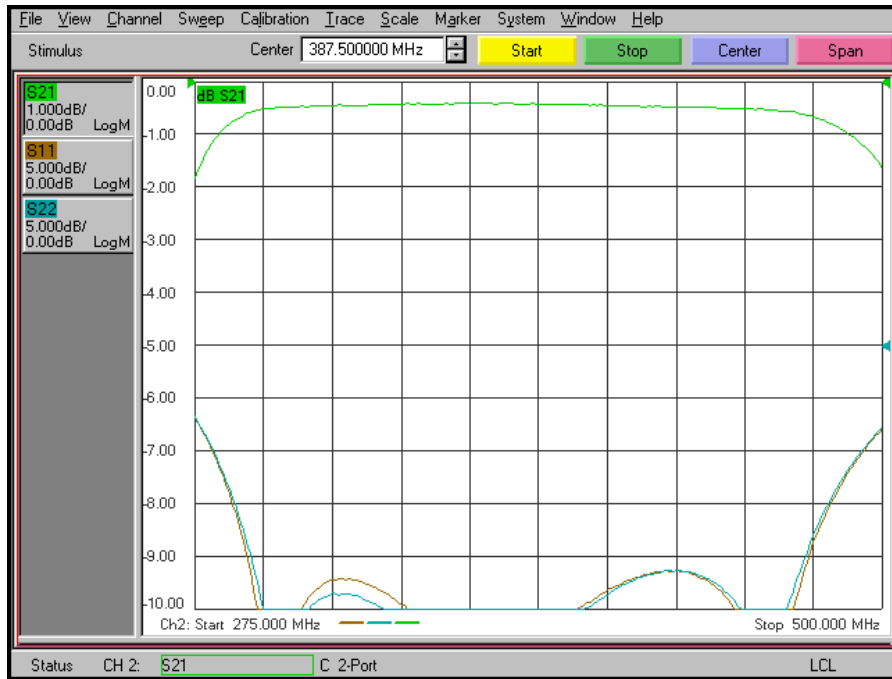
## Typical Performance

### Overall Response (10 dB/div)



# KR Electronics 3212-387.5+

## Passband Amplitude & Return Loss (1 dB/div & 5 dB/div)



## Overall Response (10 dB/div)



KR Electronics, Inc.  
91 Avenel Street  
Avenel, NJ 07001

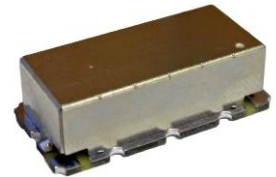
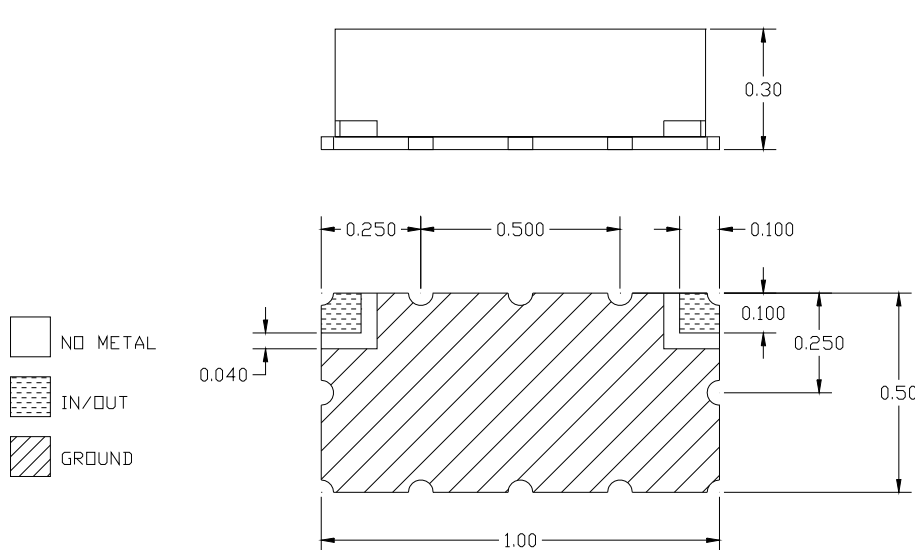
Web: [www.krfilters.com](http://www.krfilters.com)  
Email: [sales@krfilters.com](mailto:sales@krfilters.com)  
Phone: (732) 636-1900  
Fax: (732) 636-1982

# KR Electronics 3212-387.5+

## Specifications

Parameter	Specification	Notes
Filter type	Bandpass	
Center Frequency	387.5 MHz	
Insertion Loss	2 dBa max	0.5 dBa typical
1 dB Bandwidth	175 MHz min	218 MHz typical
3 dB Bandwidth	249 MHz typical	
Rejection at 166 MHz & 856 MHz	25 dB min	
40 dB Bandwidth	689 MHz typical	
50 dB Bandwidth	888 MHz typical	
Source and Load	50 Ω	

## Physical Dimensions



### Notes:

1. Surface mount package
2. Dimensions in inches
3. Max reflow temperature 230° C for 10 sec
4. If boards are cleaned after installation units must be completely dried