

General Description

KR Electronics part number 3212-277.5+ is a 277.5 MHz band-pass filter. Other frequencies are available. Please consult the factory.

Features

- 277.5 MHz Bandpass Filter
- 3 dB Bandwidth 79 MHz typical
- 50 Ω Source and Load
- Surface Mount

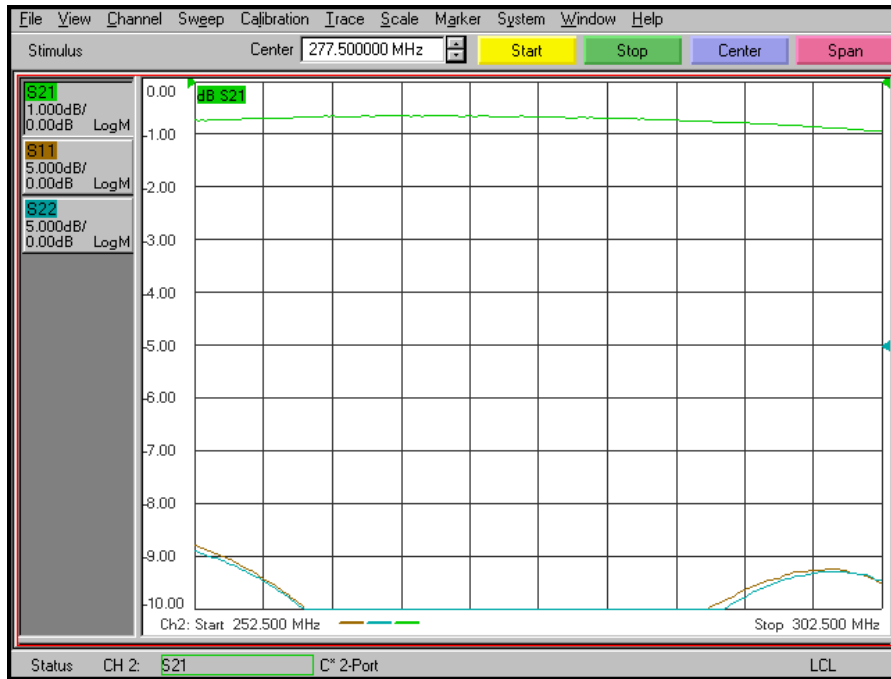
Typical Performance

Overall Response (5 dB/div)

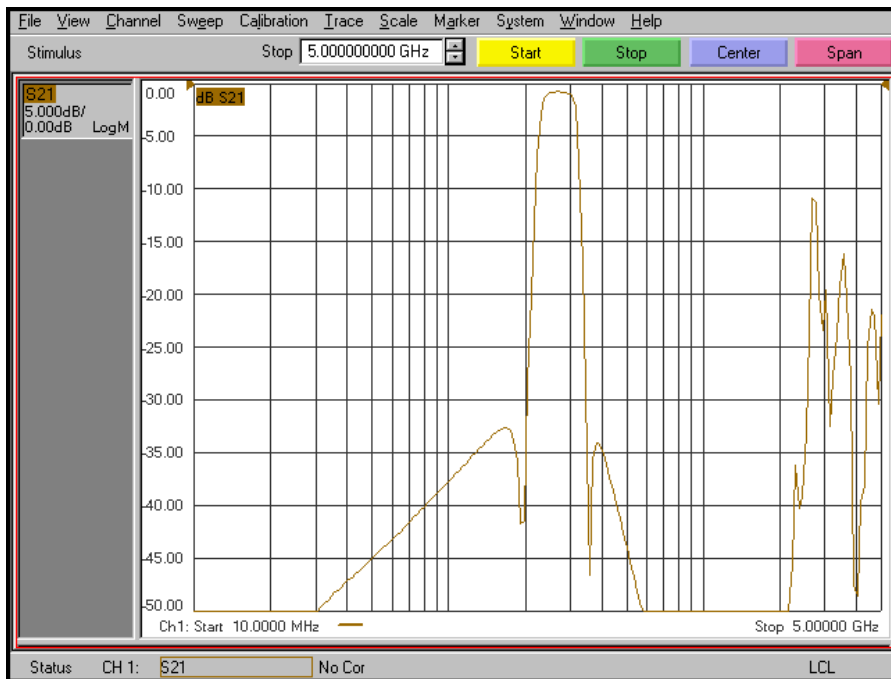


KR Electronics 3212-277.5+

Passband Amplitude & Return Loss (1 dB/div & 5 dB/div)



Overall Response (5 dB/div)



KR Electronics, Inc.
 91 Avenel Street
 Avenel, NJ 07001

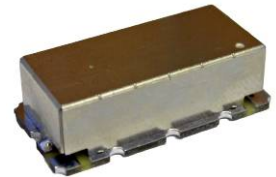
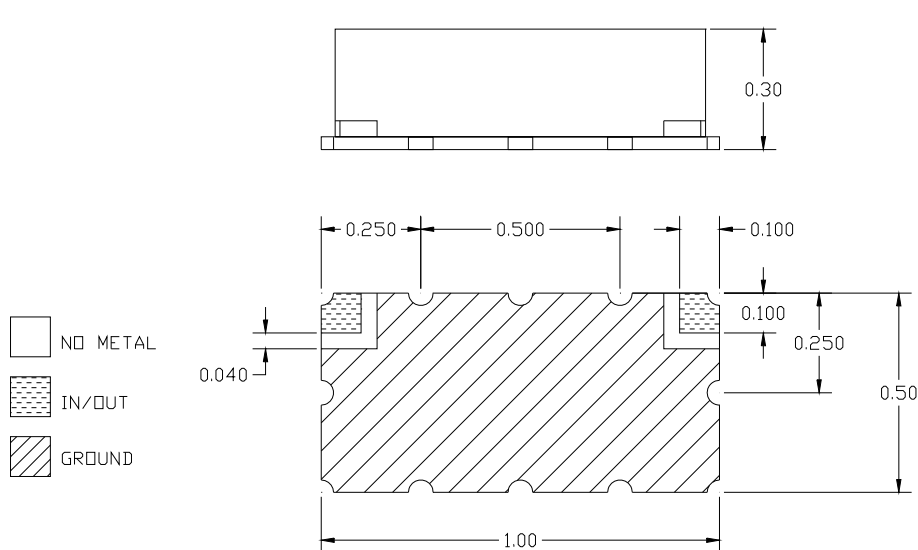
Web www.krfilters.com
 Email sales@krfilters.com
 Phone (732) 636-1900
 Fax (732) 636-1982

KR Electronics 3212-277.5+

Specifications

Parameter	Specification	Notes
Filter type	Bandpass	
Center Frequency	277.5 MHz	
Insertion Loss	2 dBa max	0.7 dBa typical
1 dB Bandwidth	45 MHz min	79 MHz typical
3 dB Bandwidth	90 MHz typical	
25 dB Bandwidth	180 MHz max	137 MHz typical
30 dB Bandwidth	144 MHz typical	
Source and Load	50 Ω	

Physical Dimensions



Notes:

1. Surface mount package
2. Dimensions in inches
3. Max reflow temperature 230° C for 10 sec
4. If boards are cleaned after installation units must be completely dried