

KR Electronics, Inc.

General Description

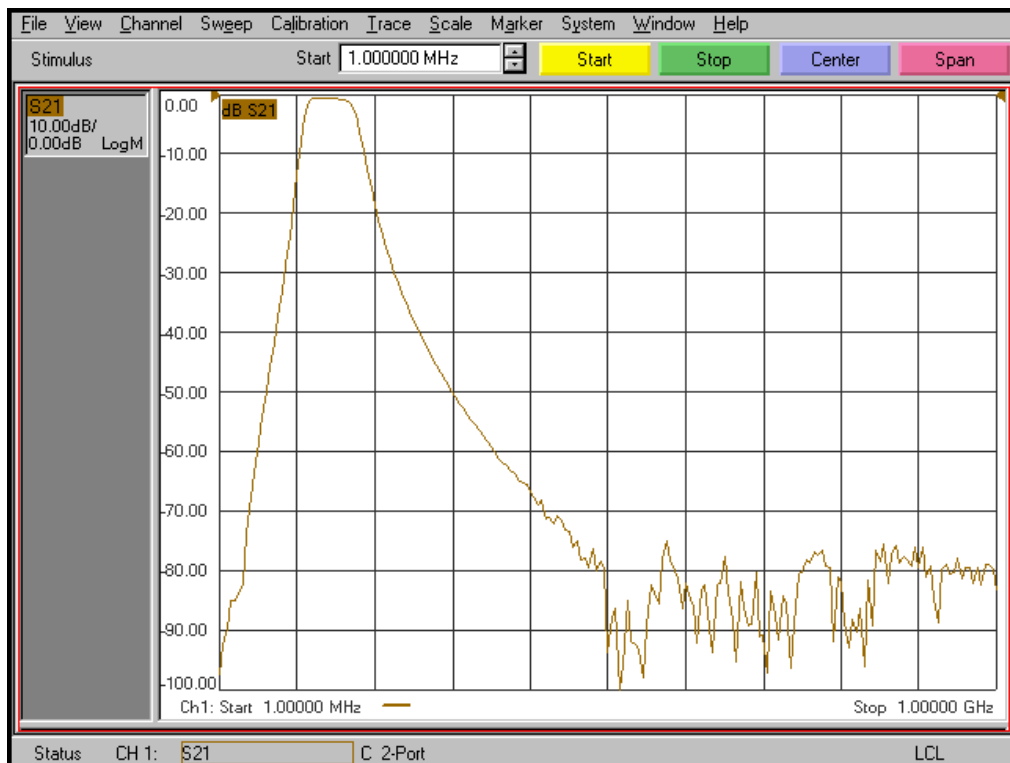
KR Electronics part number 3212-142.5+ is a 142.5 MHz band-pass filter. Other frequencies are available. Please consult the factory.

Features

- 142.5 MHz Bandpass Filter
- 3 dB Bandwidth 65 MHz typical
- 50 Ω Source and Load
- Surface Mount

Typical Performance

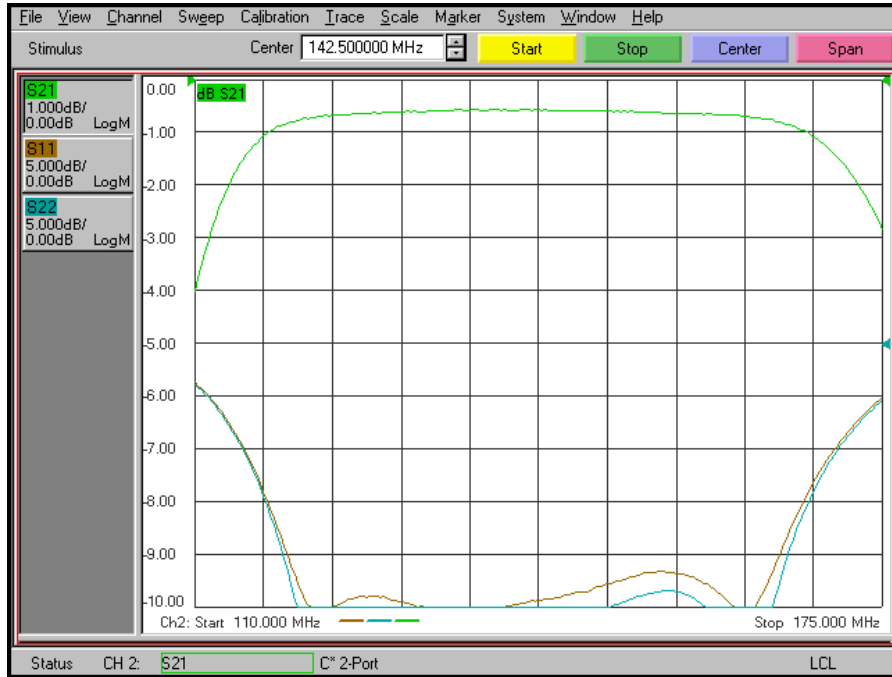
Overall Response (10 dB/div)



KR Electronics 3212-142.5+

Passband Amplitude & Return Loss

(1 dB/div & 5 dB/div)



Overall Response

(10 dB/div)



KR Electronics, Inc.
91 Avenel Street
Avenel, NJ 07001

Web
Email
Phone
Fax

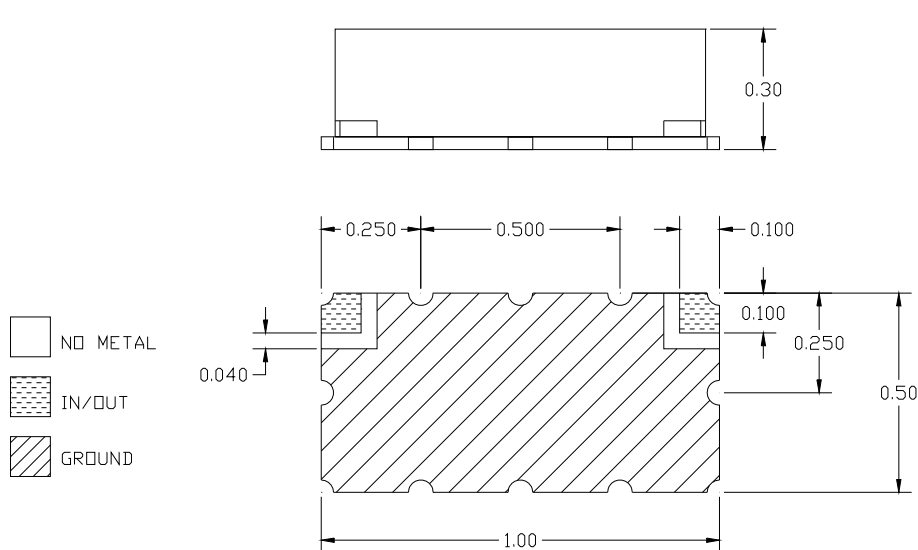
www.krfilters.com
sales@krfilters.com
(732) 636-1900
(732) 636-1982

KR Electronics 3212-142.5+

Specifications

Parameter	Specification	Notes
Filter type	Bandpass	
Center Frequency	142.5 MHz	
Insertion Loss	2 dBa max	0.7 dBa typical
1 dB Bandwidth	40 MHz min	56 MHz typical
3 dB Bandwidth	65 MHz typical	
Rejection at 77 MHz & 254 MHz	25 dB min	
40 dB Bandwidth	188 MHz typical	
50 dB Bandwidth	244 MHz typical	
Source and Load	50 Ω	

Physical Dimensions



Notes:

1. Surface mount package
2. Dimensions in inches
3. Max reflow temperature 230° C for 10 sec
4. If boards are cleaned after installation units must be completely dried