

General Description

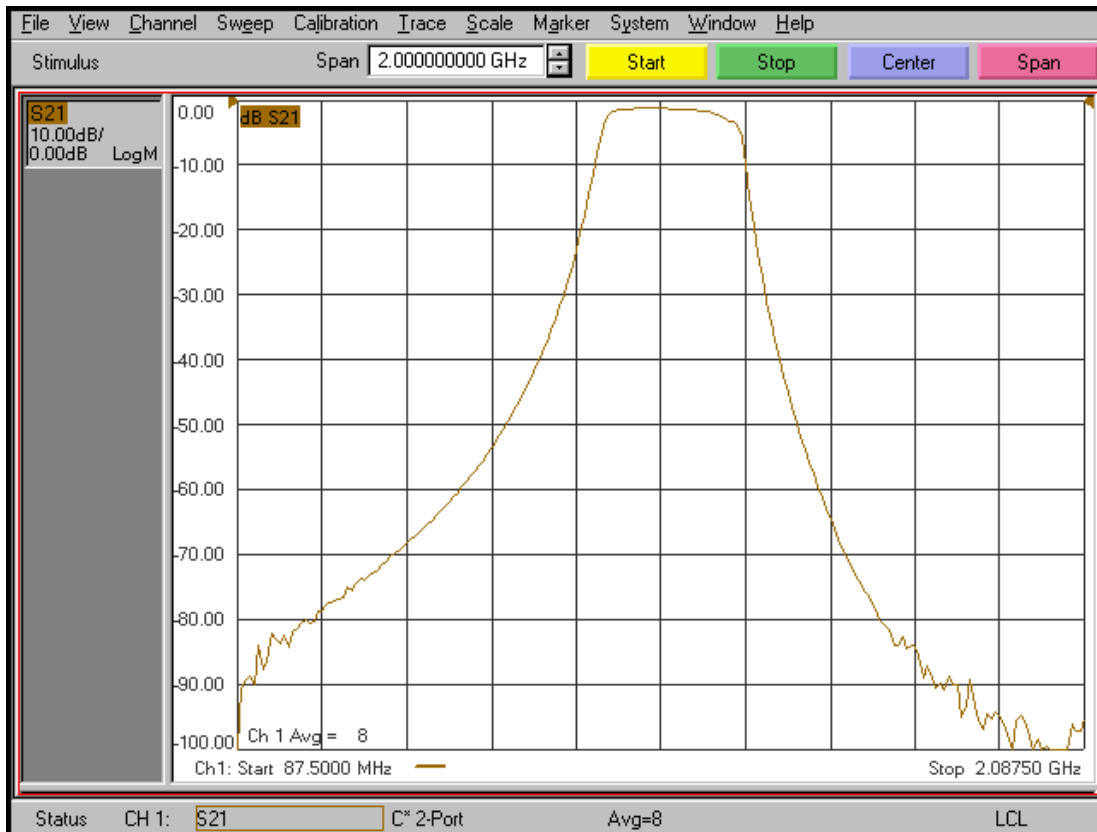
KR Electronics part number 3204-SMA is a 1087.5 MHz band-pass filter. The filter has a min 3 dB bandwidth of 255 MHz. Other center frequencies and are bandwidths available. Please consult the factory.

Features

- 1087.5 MHz Bandpass
- 3 dB Bandwidth 255 MHz min
320 MHz typical
- 50 Ω Source and Load
- SMA Connectors
- Surface Mount Available

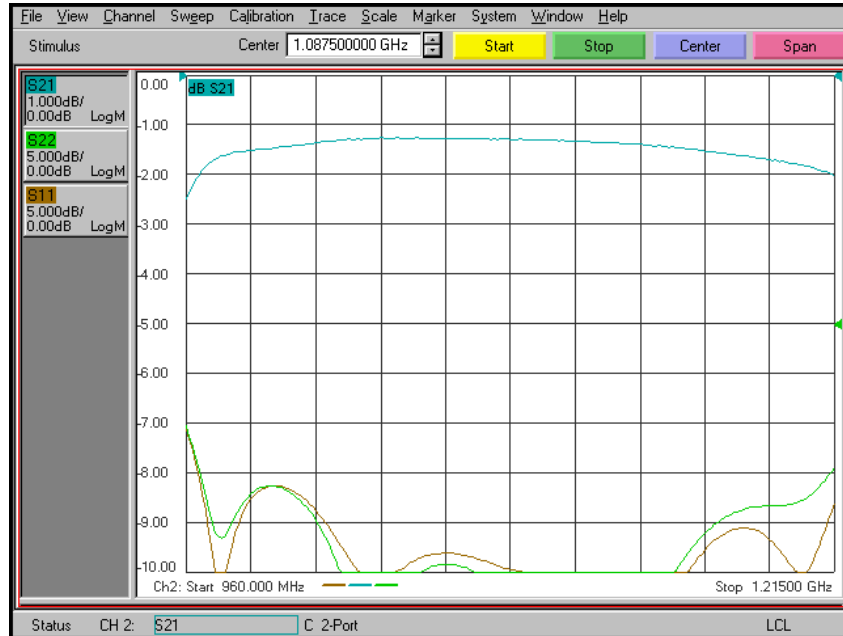
Typical Performance

Overall Response (10 dB/div)

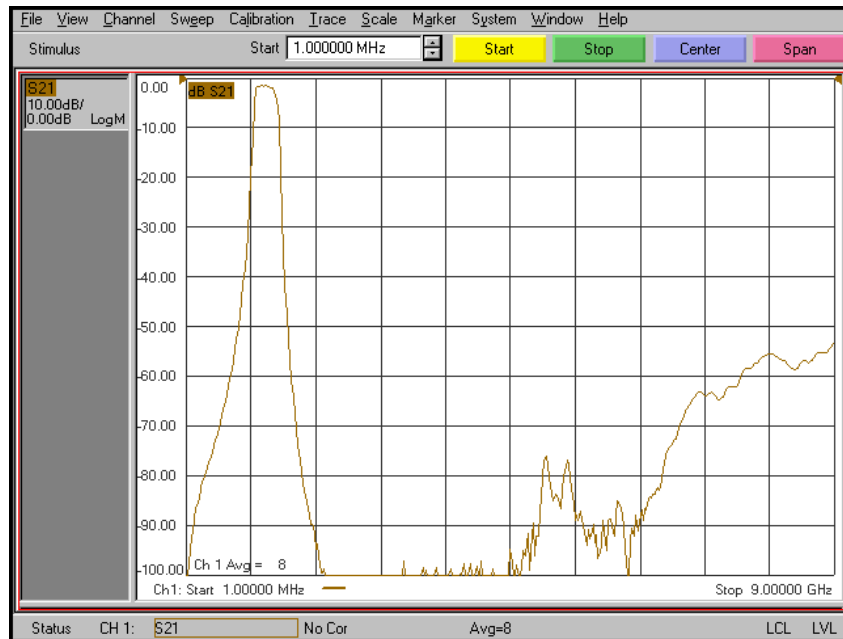


Typical Performance

Passband Amplitude & Return Loss
(1 dB/div & 5 dB/div)



Overall Response
(10 dB/div)

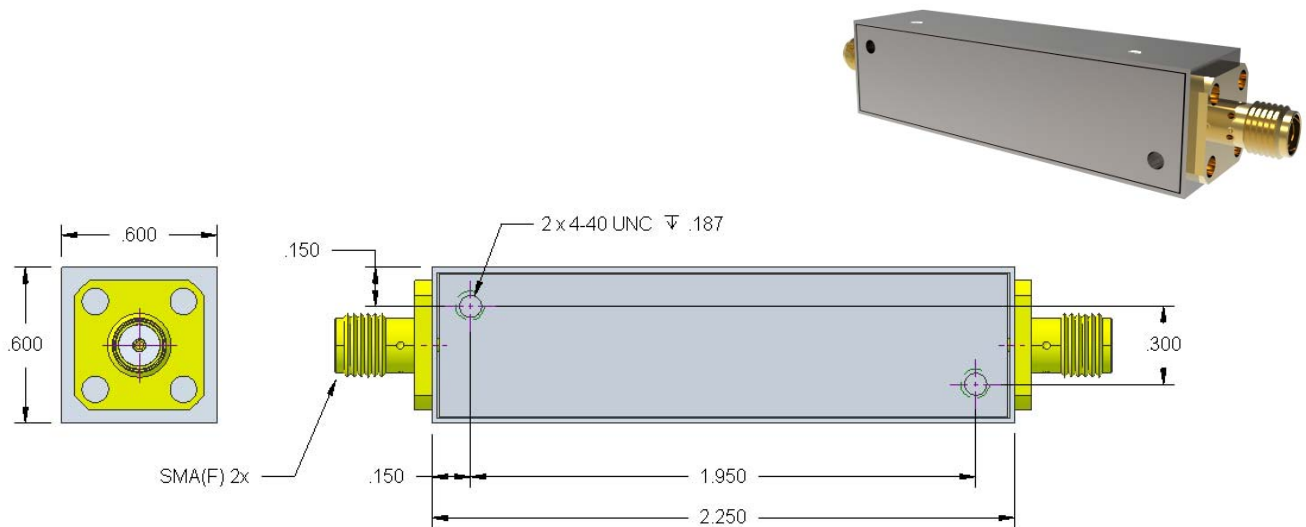


KR Electronics 3204-SMA

Specifications

Parameter	Specification	
Filter type	Bandpass	
Center Frequency	1087.5 MHz	
Insertion Loss	2.5 dB max	1.25 dB typical
1 dB Bandwidth	258 MHz typical	
3 dB Bandwidth	255 MHz min	320 MHz typical
40 dB Bandwidth	582 MHz typical	
60 dB Bandwidth	872 MHz typical	
Source and Load	50 Ω	

Physical Dimensions



Notes:

1. Dimensions in inches
2. Rectangular case
3. Also available in surface mount package see part number 3204

KR Electronics, Inc.
91 Avenel Street
Avenel, NJ 07001

Web www.krfilters.com
Email sales@krfilters.com
Phone (732) 636-1900
Fax (732) 636-1982