

# KR Electronics, Inc.

## General Description

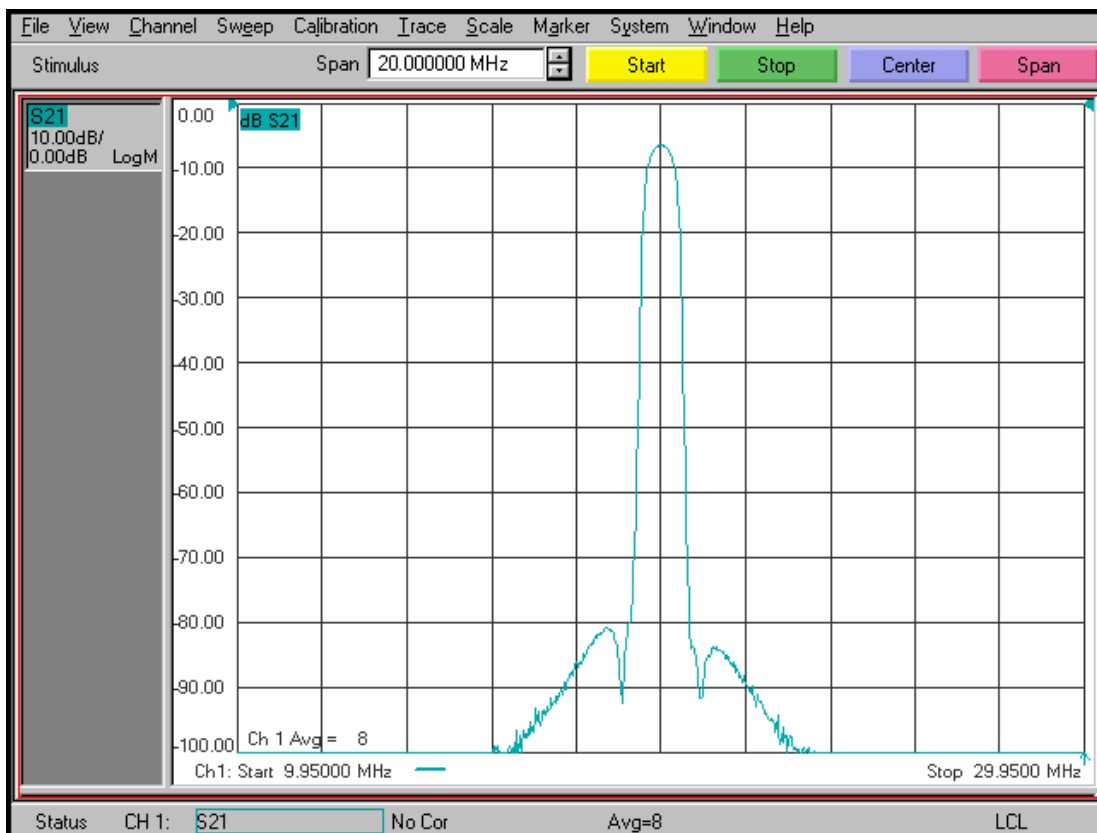
KR Electronics part number 3200-SMA is a 19.95 MHz band-pass filter. The filter has a 3 dB bandwidth of 600 KHz. Other center frequencies and are bandwidths available. Please consult the factory.

### Features

- 19.95 MHz Bandpass
- Narrow 3% Bandwidth
- 3 dB Bandwidth 600 KHz
- Sharp Elliptic Type Design
- High Ultimate Rejection
- 50  $\Omega$  Source and Load
- SMA Connectors

## Typical Performance

### Overall Response (10 dB/div)

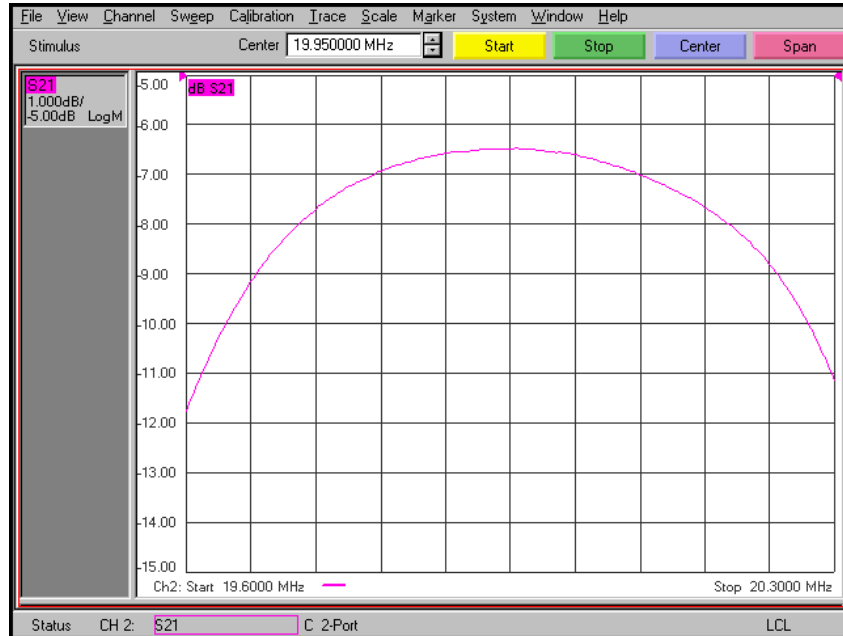


KR Electronics, Inc.  
91 Avenel Street  
Avenel, NJ 07001

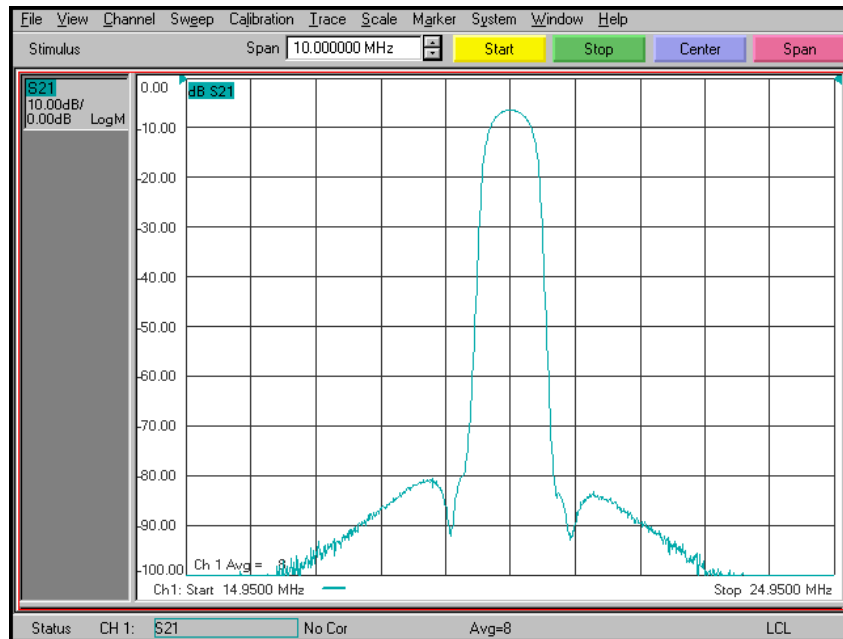
Web [www.krfilters.com](http://www.krfilters.com)  
Email [sales@krfilters.com](mailto:sales@krfilters.com)  
Phone (732) 636-2500  
Fax (732) 636-2582

Typical Performance

Passband Amplitude  
(1 dB/div)



Overall Response  
(10 dB/div)

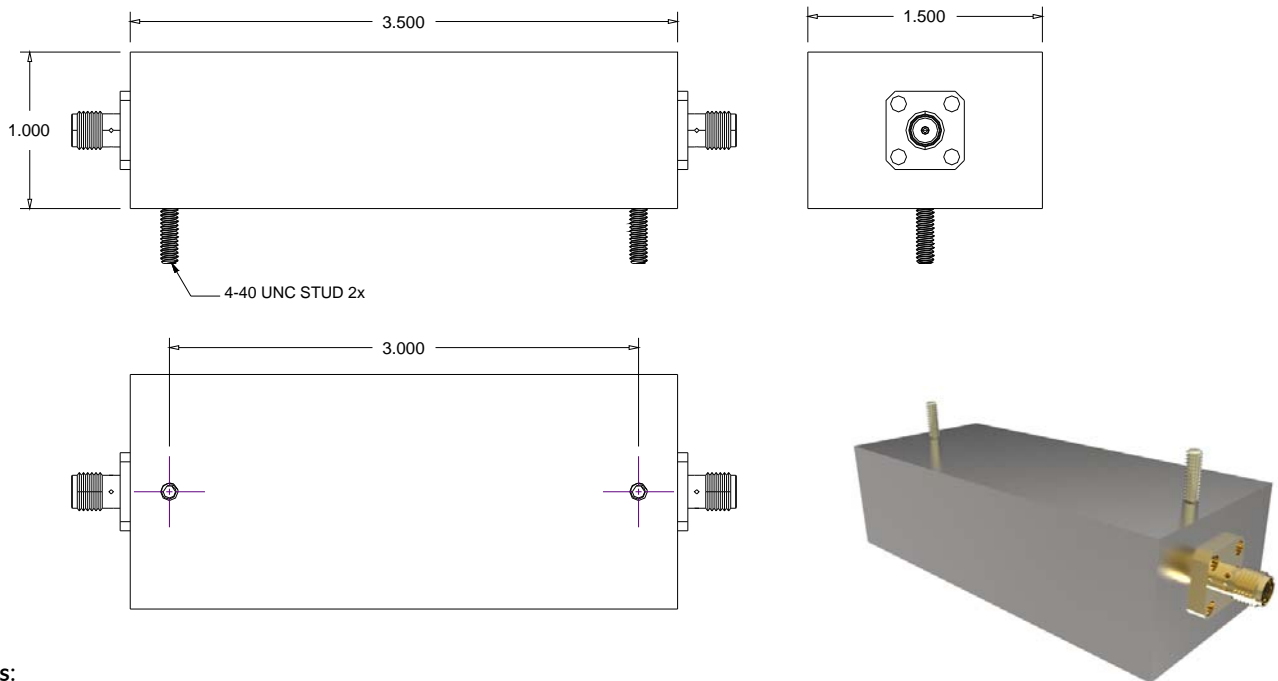


# KR Electronics 3200-SMA

## Specifications

Parameter	Specification
Filter type	Bandpass
Center Frequency	19.95 MHz
Insertion Loss	9 dB max 6.5 dB typical
3 dB Bandwidth	600 KHz ±10%
40 dB Bandwidth	1090 KHz typical
60 dB Bandwidth	1250 KHz typical
Source and Load	50 Ω

## Physical Dimensions



**Notes:**

1. Dimensions in inches
2. SMA(F) Connectors In/Out
3. Rectangular case
4. Other configurations available

KR Electronics, Inc.  
 91 Avenel Street  
 Avenel, NJ 07001

Web [www.krfilters.com](http://www.krfilters.com)  
 Email [sales@krfilters.com](mailto:sales@krfilters.com)  
 Phone (732) 636-2500  
 Fax (732) 636-2582