

KR Electronics, Inc.

General Description

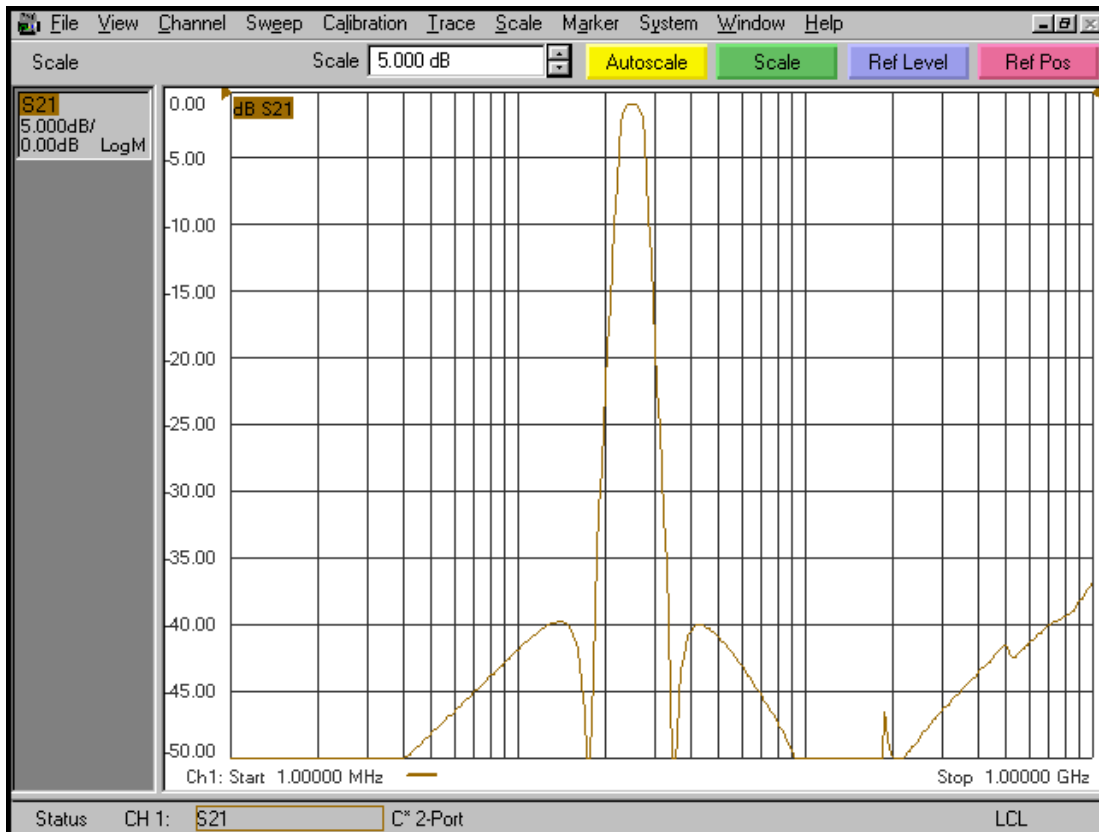
KR Electronics part number 3196-25-SMA is a 25 MHz band-pass filter. The filter has a 3 dB bandwidth of 5 MHz. Other center frequencies and are bandwidths available. Please consult the factory.

Features

- 25 MHz Bandpass
- 3 dB Bandwidth 5 MHz
- 50 Ω Source and Load
- SMA Connectors
- Surface Mount also available

Typical Performance

Overall Response (5 dB/div)

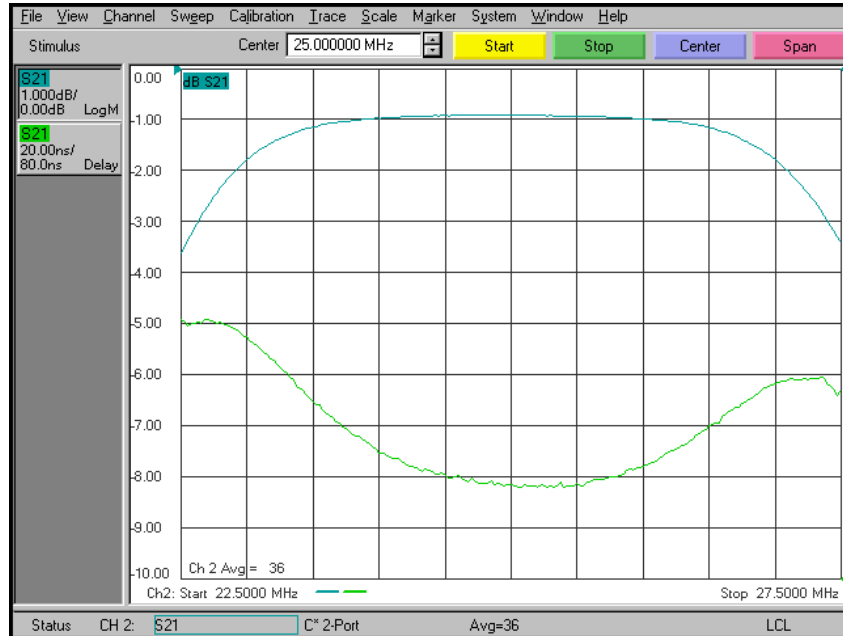


KR Electronics, Inc.
91 Avenel Street
Avenel, NJ 07001

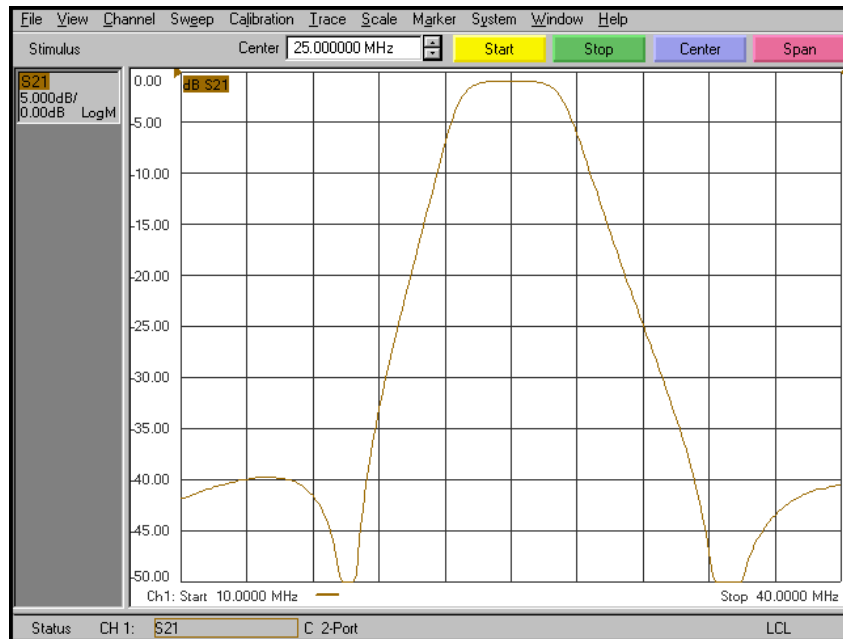
Web www.krfilters.com
Email sales@krfilters.com
Phone (732) 636-2500
Fax (732) 636-2582

Typical Performance

Passband Amplitude & Group Delay
(1 dB/div & 20 nsec/div)



Overall Response
(5 dB/div)



KR Electronics, Inc.
91 Avenel Street
Avenel, NJ 07001

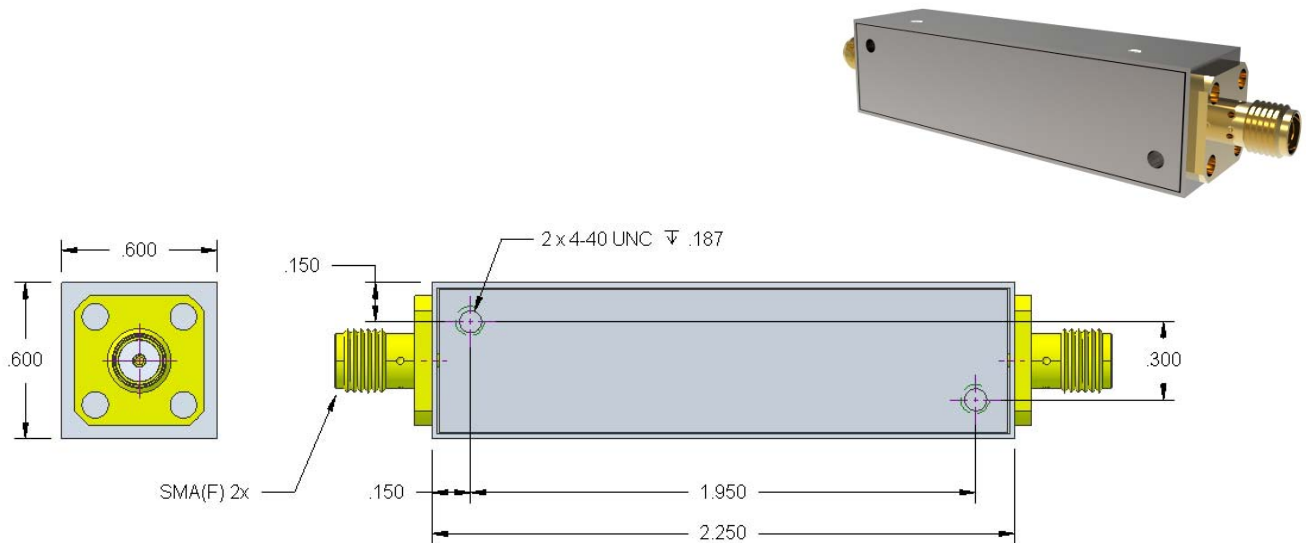
Web www.krfilters.com
Email sales@krfilters.com
Phone (732) 636-2500
Fax (732) 636-2582

KR Electronics 3196-25-SMA

Specifications

Parameter	Specification	
Filter type	Bandpass	
Center Frequency	25 MHz	
Insertion Loss	2 dB max	0.9 dB typical
1 dB Bandwidth	4 MHz typical	
3 dB Bandwidth	5 MHz \pm 5%	
Rejection at 18 MHz	40 dB min	
Rejection at 34 MHz	40 dB min	
Source and Load	50 Ω	

Physical Dimensions



Notes:

1. Dimensions in inches
2. Rectangular case
3. Also available in a surface mount package.

KR Electronics, Inc.
91 Avenel Street
Avenel, NJ 07001

Web www.krfilters.com
Email sales@krfilters.com
Phone (732) 636-2500
Fax (732) 636-2582