

KR Electronics, Inc.

General Description

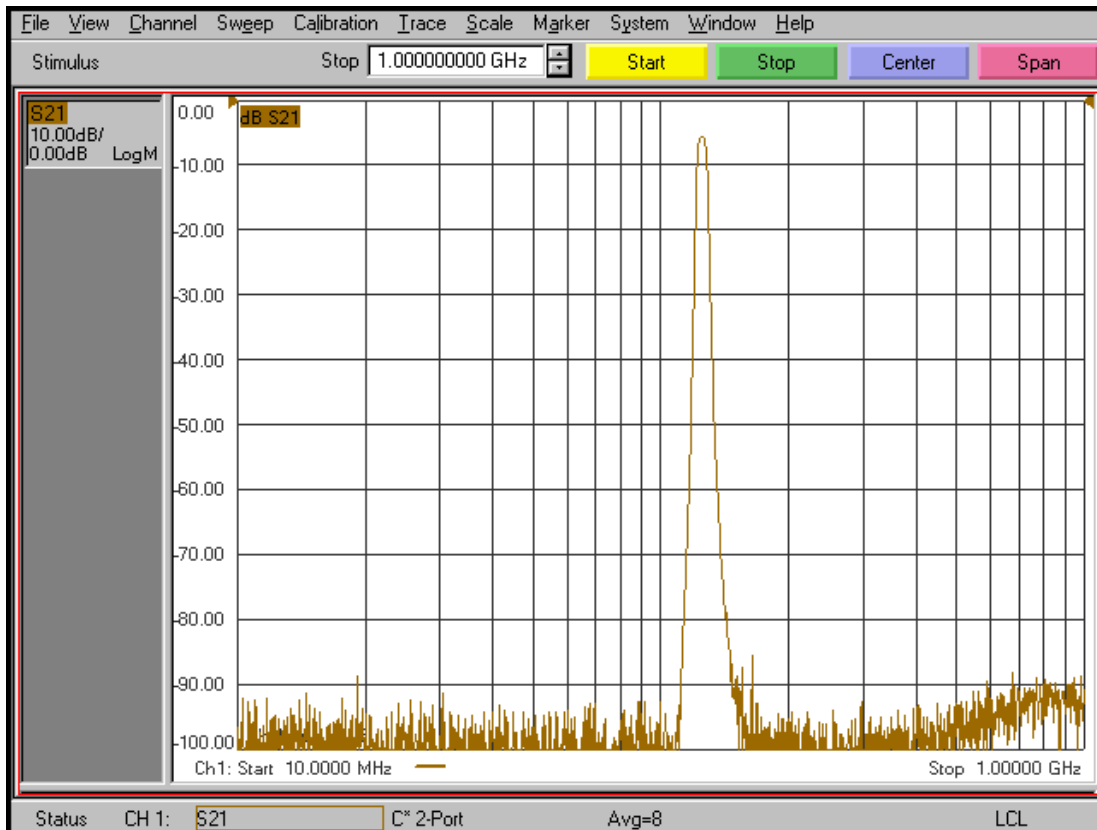
KR Electronics part number 3194-SMA is a 125 MHz bandpass filter. The filter has a 3 dB bandwidth of 6 MHz. Other center frequencies and are bandwidths available. Please consult the factory.

Features

- 125 MHz Bandpass
- 3 dB Bandwidth 6 MHz
- 50 Ω Source and Load
- SMA Connectors

Typical Performance

Overall Response (10 dB/div)

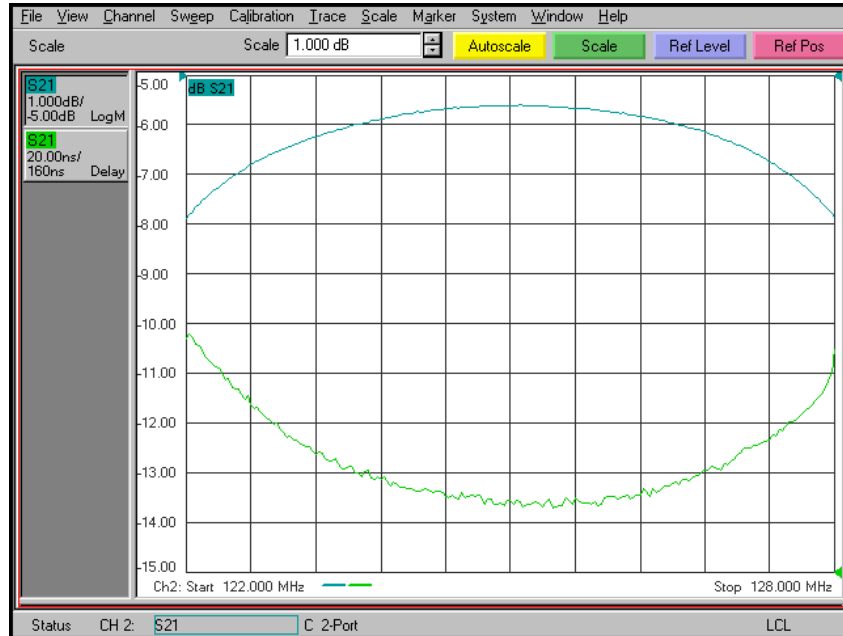


KR Electronics, Inc.
91 Avenel Street
Avenel, NJ 07001

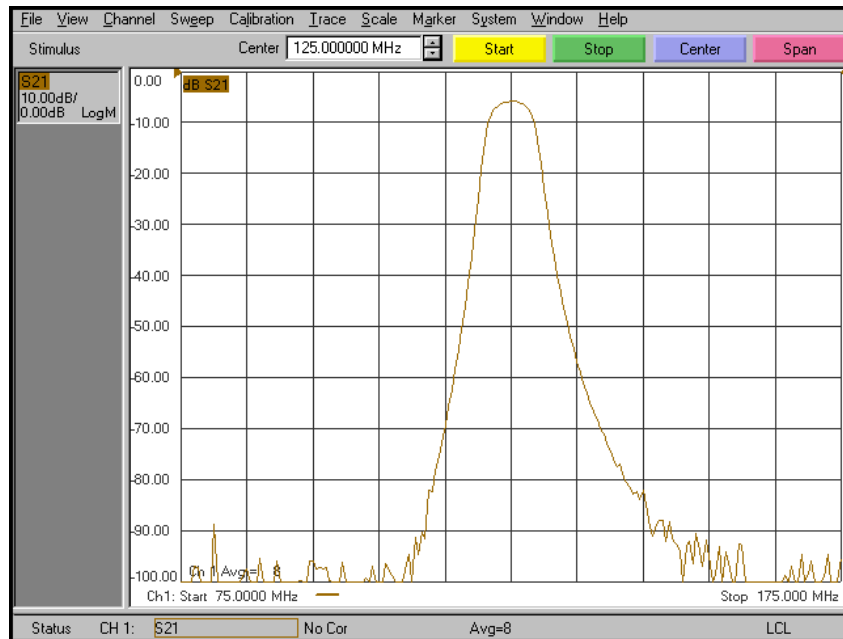
Web www.krfilters.com
Email sales@krfilters.com
Phone (732) 636-2500
Fax (732) 636-2582

Typical Performance

Passband Amplitude & Group Delay
(1 dB/div & 20 nsec/div)



Overall Response
(10 dB/div)

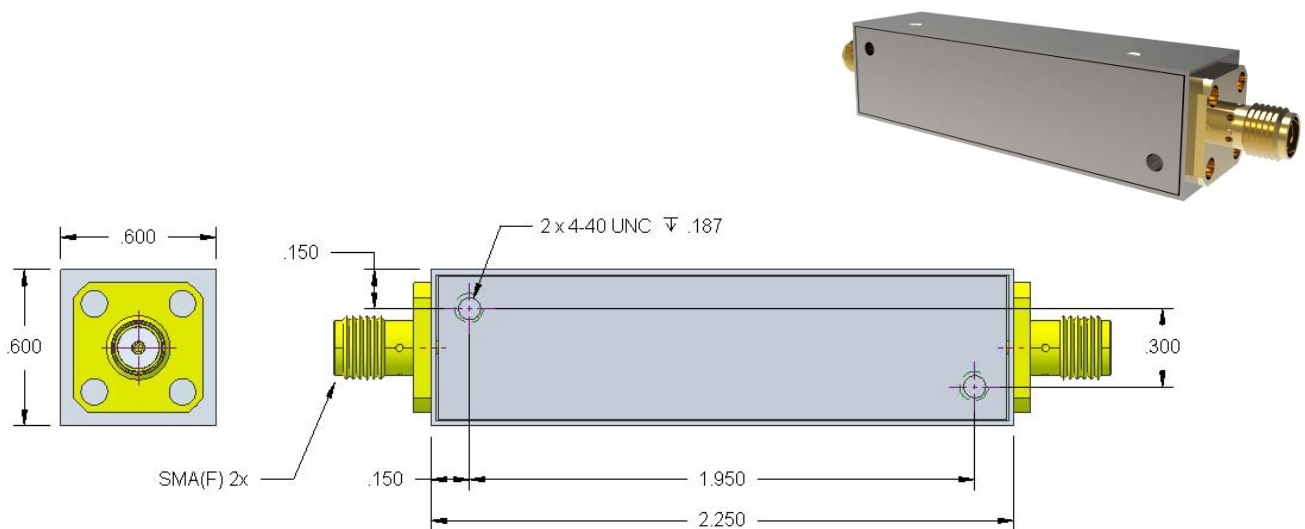


KR Electronics 3194-SMA

Specifications

Parameter	Specification
Filter type	Bandpass
Center Frequency	125 MHz
Insertion Loss	6 dB max
1 dB Bandwidth	4.5 MHz typical
3 dB Bandwidth	6 MHz min
Rejection at 115 MHz	50 dB min
Rejection at 134 MHz	45 dB min
40 dB Bandwidth	14.8 MHz typical
50 dB Bandwidth	17.8 MHz typical
60 dB Bandwidth	21.7 MHz typical
Source and Load	50 Ω

Physical Dimensions



Notes:

1. Dimensions in inches
2. Rectangular case

KR Electronics, Inc.
91 Avenel Street
Avenel, NJ 07001

Web www.krfilters.com
Email sales@krfilters.com
Phone (732) 636-2500
Fax (732) 636-2582