

KR Electronics, Inc.

General Description

KR Electronics part number 3187 is a 321.4 MHz group delay equalized bandpass filter. Other frequencies are available. Please consult the factory.

Features

- 321.4 MHz Center Frequency
- 60 MHz min 1 dB Bandwidth
- Sharp Transition to the Stopband
- Group Delay Equalized
- 50 Ω Source and Load
- Surface Mount

Typical Performance

Overall Response
(10 dB/div)

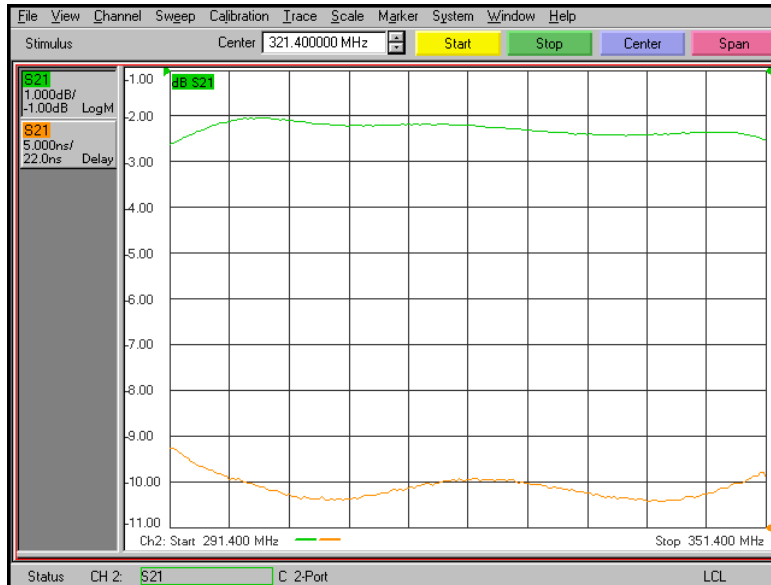


KR Electronics, Inc.
91 Avenel Street
Avenel, NJ 07001

Web www.krfilters.com
Email sales@krfilters.com
Phone (732) 636-1900
Fax (732) 636-1982

Typical Performance

Passband Amplitude & Group Delay
(1 dB/div & 5 nsec/div)



Overall Response
(10 dB/div)

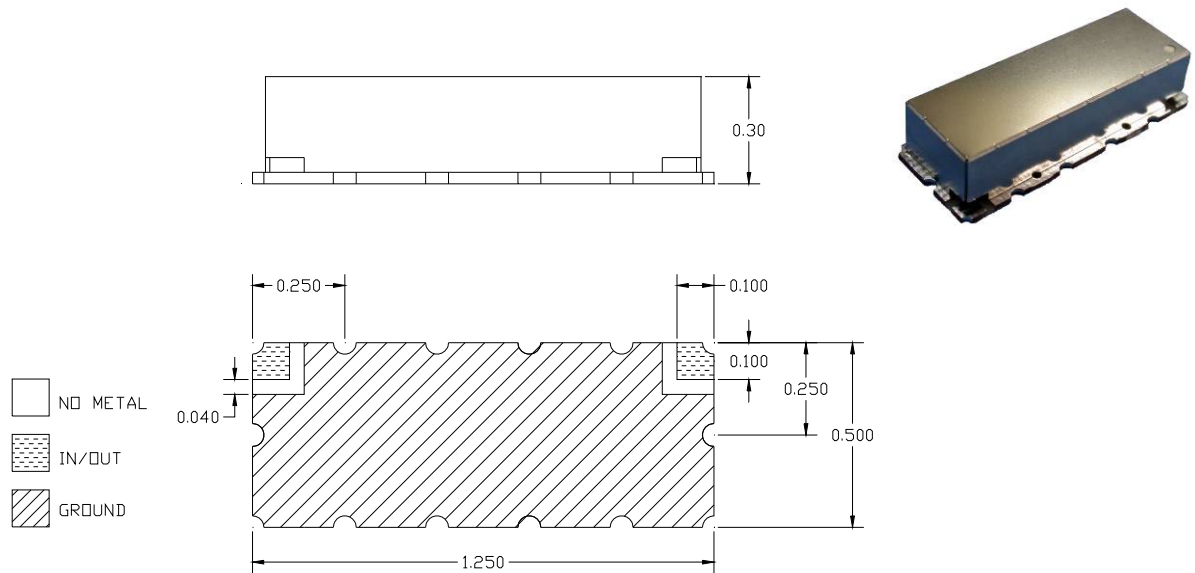


KR Electronics 3187

Specifications

Parameter	Specification	
Filter type	Bandpass	
Center Frequency	321.4 MHz	
Insertion Loss	4 dB max	2 dB typical
1 dB Bandwidth	60 MHz min	
Rejection at 255 MHz & below	50 dB min	
Rejection at 388 MHz to 1000 MHz	50 dB min	
Source and Load	50 Ω	

Physical Dimensions



Notes:

1. Surface mount package
2. Dimensions in inches
3. Max reflow temperature 230° C for 10 sec
4. If boards are cleaned after installation units must be completely dried
5. Also available in SMA connectorized package