

General Description

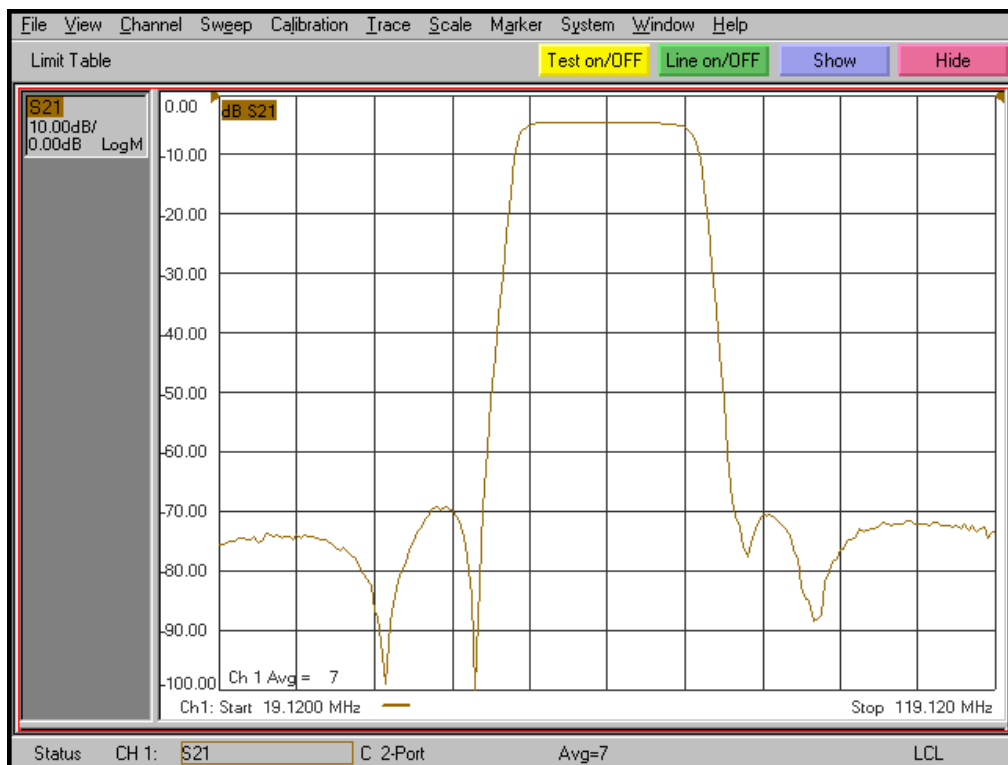
KR Electronics part number 3186-SMA is a 69.12 MHz group delay equalized bandpass filter. The filter has a min 1 dB bandwidth of 20 MHz. Other center frequencies and bandwidths are available. Please consult the factory.

Features

- 69.12 MHz Bandpass Filter
- 1 dB Bandwidth, 20 MHz min
- 60 dB min, 32 MHz max
- Group Delay Equalized
- Highly Selective Elliptic Type Filter
- 50 Ω Source and Load
- SMA Connectors
- Surface mount available

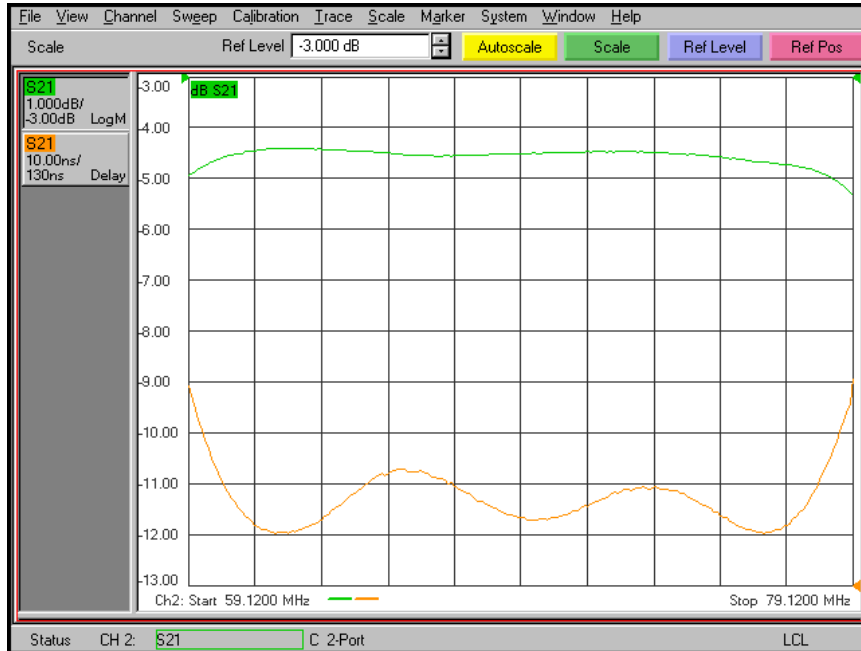
Typical Performance

Overall Response (10 dB/div)

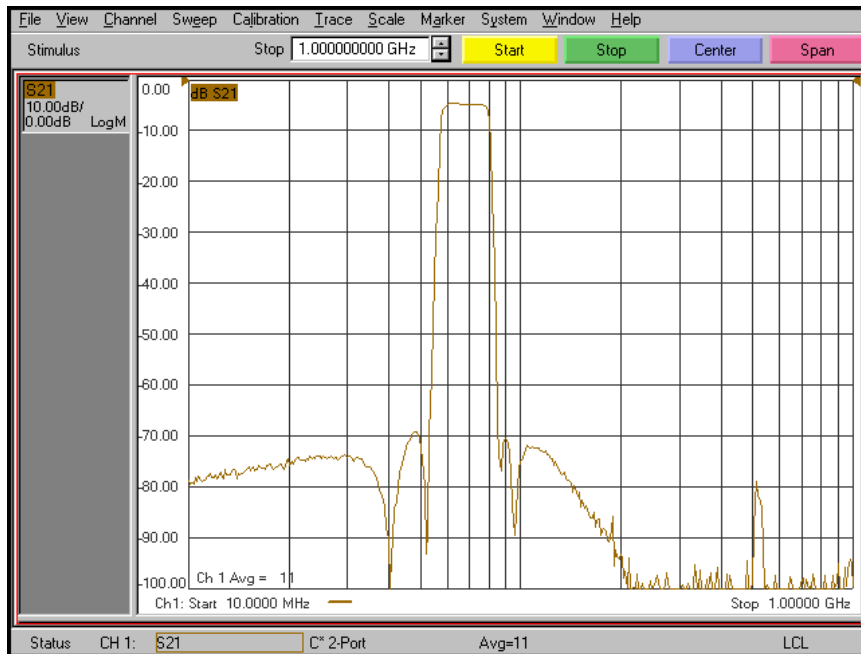


Typical Performance

Passband Amplitude & Group Delay
(1 dB/div & 10 nsec/div)



Overall Response
(10 dB/div)



KR Electronics, Inc.
91 Avenel Street
Avenel, NJ 07001

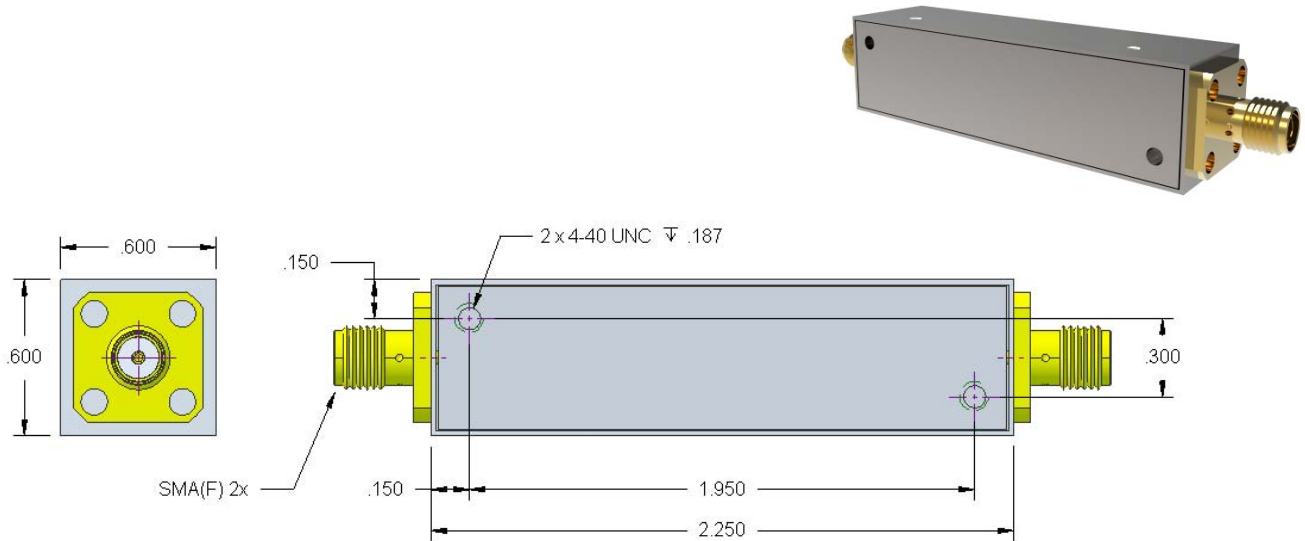
Web www.krfilters.com
Email sales@krfilters.com
Phone (732) 636-1900
Fax (732) 636-1982

KR Electronics 3186-SMA

Specifications

Parameter	Specification	Notes
Filter type	Bandpass	
Center Frequency Fc	69.12 MHz	
Insertion Loss at Fc	5.25 dBa max	4.7 dBa typical
1 dBc Bandwidth	20 MHz min	
60 dBc Bandwidth	32 MHz max	
Group Delay Equalized	Yes	
Source and Load	50 Ω	

Physical Dimensions



Notes:

1. Dimensions in inches
2. Rectangular case
3. Also available in surface mount package 2" x 0.5" x 0.5"

KR Electronics, Inc.
91 Avenel Street
Avenel, NJ 07001

Web www.krfilters.com
Email sales@krfilters.com
Phone (732) 636-1900
Fax (732) 636-1982