

KR Electronics, Inc.

General Description

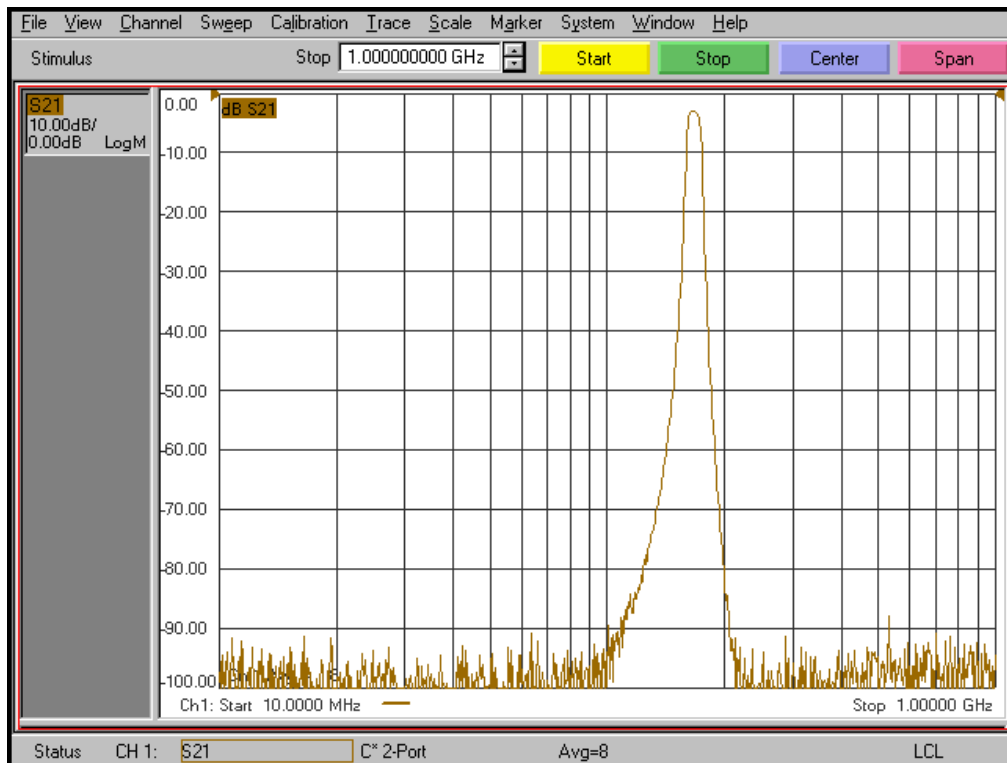
KR Electronics part number 3183-SMA is a 167 MHz bandpass filter. The filter has a min 3 dB bandwidth of 10 MHz. Other center frequencies and bandwidths are available. Please consult the factory.

Features

- 167 MHz Bandpass Filter
- 10 MHz min 3 dB Bandwidth
- 50 Ω Source and Load
- SMA Connectors

Typical Performance

Overall Response (10 dB/div)

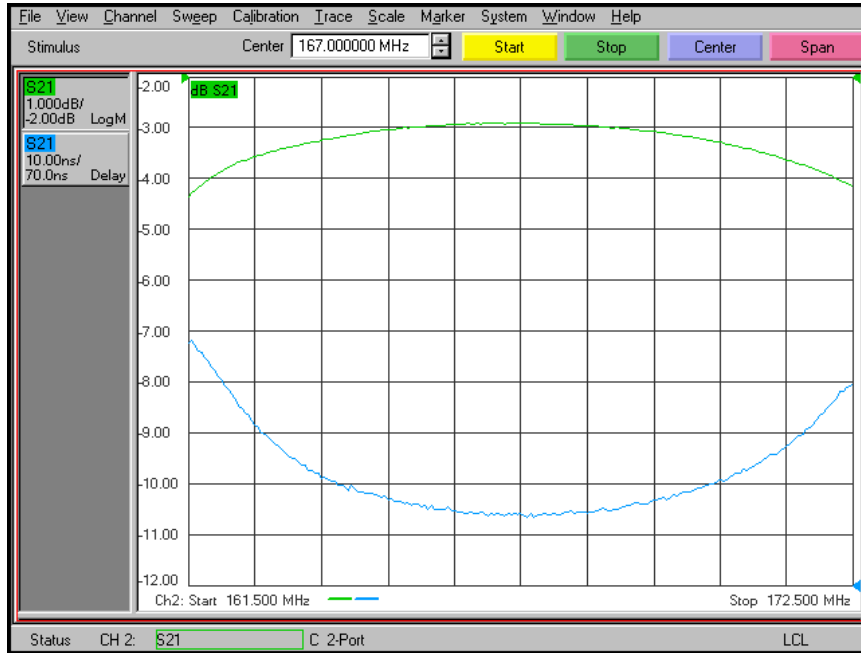


KR Electronics, Inc.
91 Avenel Street
Avenel, NJ 07001

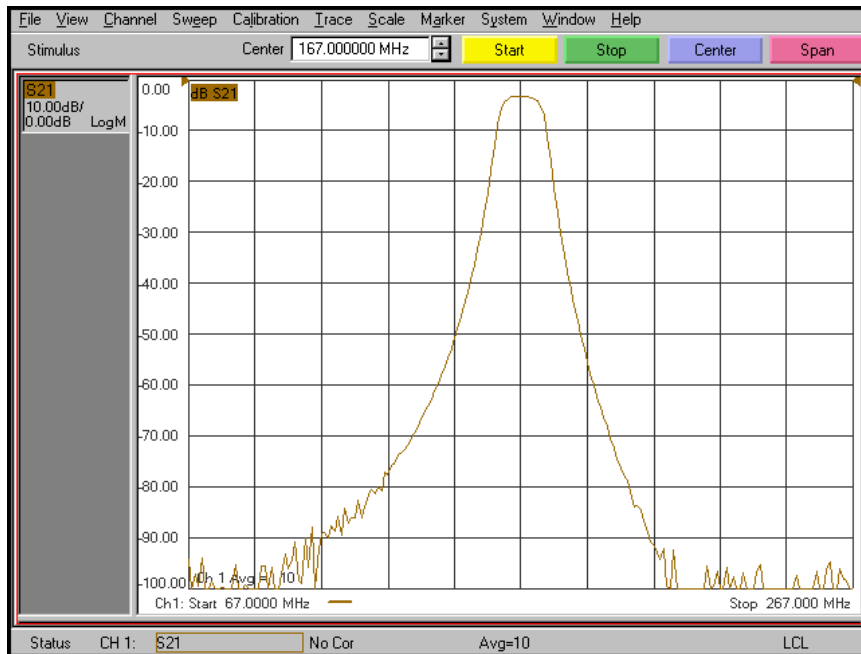
Web www.krfilters.com
Email sales@krfilters.com
Phone (732) 636-1900
Fax (732) 636-1982

Typical Performance

Passband Amplitude & Group Delay
(1 dB/div & 10 nsec/div)



Overall Response
(10 dB/div)



KR Electronics, Inc.
91 Avenel Street
Avenel, NJ 07001

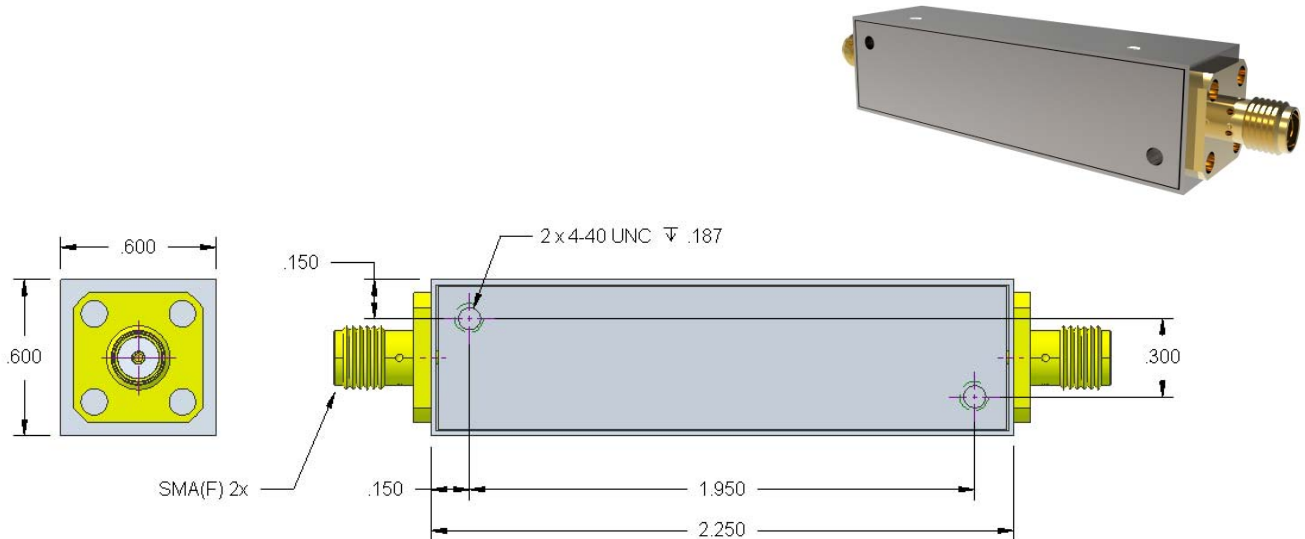
Web www.krfilters.com
Email sales@krfilters.com
Phone (732) 636-1900
Fax (732) 636-1982

KR Electronics 3183-SMA

Specifications

Parameter	Specification	Notes
Filter type	Bandpass	
Center Frequency Fc	167 MHz	
Insertion Loss at Fc	4.5 dBa max	3 dBa typical
1 dBc Bandwidth	10 MHz typical	
3 dBc Bandwidth	10 MHz min	12.9 MHz typical
20 dBc Bandwidth	20.6 MHz typical	
40 dBc Bandwidth	32.0 MHz typical	
60 dBc Bandwidth	51.0 MHz typical	
Source and Load	50 Ω	

Physical Dimensions



Notes:

1. Dimensions in inches
2. Rectangular case
3. Also available in surface mount package 1.5" x 0.5" x 0.5"

KR Electronics, Inc.
91 Avenel Street
Avenel, NJ 07001

Web www.krfilters.com
Email sales@krfilters.com
Phone (732) 636-1900
Fax (732) 636-1982