

# KR Electronics, Inc.

## General Description

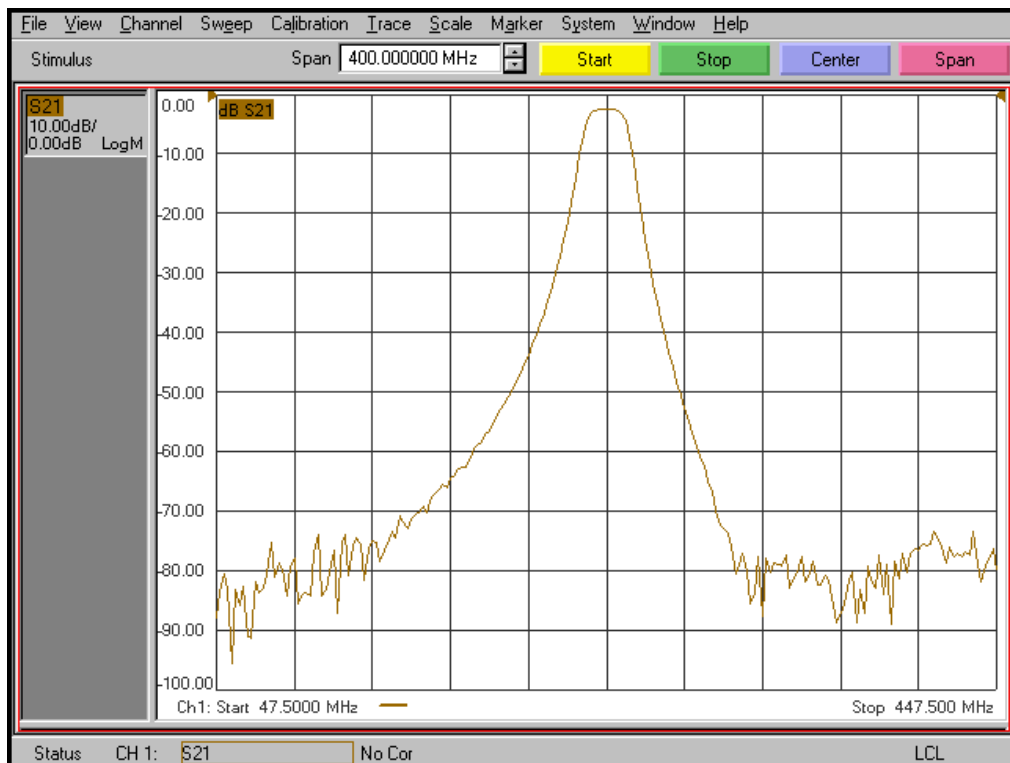
KR Electronics part number 3175 is a 247.5 MHz bandpass filter. The filter has a minimum 1 dB bandwidth of 15 MHz. Other frequencies are available. Please consult the factory.

### Features

- 247.5 MHz Bandpass Filter
- 15 MHz min 1 dB Bandwidth
- 50  $\Omega$  Source and Load
- Surface Mount
- SMA Connectors Available

## Typical Performance

**Overall Response**  
(10 dB/div)

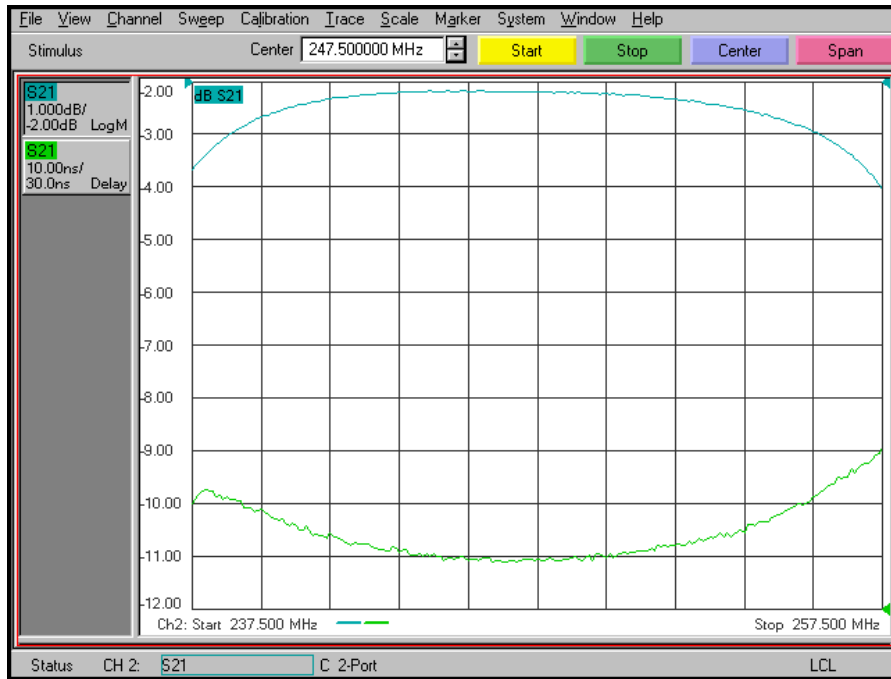


KR Electronics, Inc.  
91 Avenel Street  
Avenel, NJ 07001

Web [www.krfilters.com](http://www.krfilters.com)  
Email [sales@krfilters.com](mailto:sales@krfilters.com)  
Phone (732) 636-1900  
Fax (732) 636-1982

# KR Electronics 3175

## Passband Amplitude & Group Delay (1 dB/div & 10 nsec/div)



## Overall Response (10 dB/div)



KR Electronics, Inc.  
91 Avenel Street  
Avenel, NJ 07001

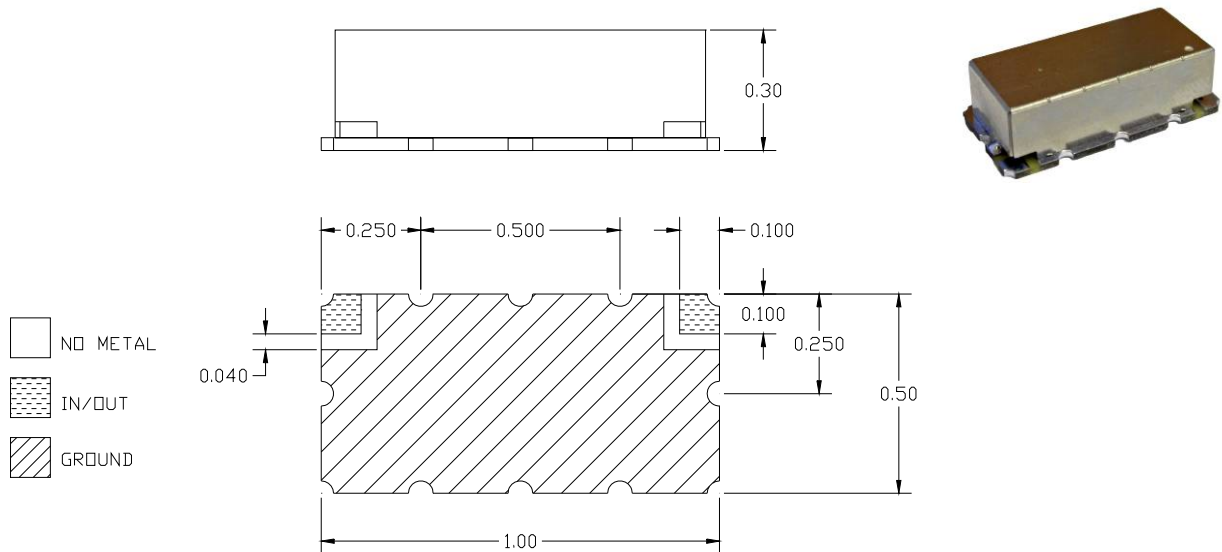
Web [www.krfilters.com](http://www.krfilters.com)  
Email [sales@krfilters.com](mailto:sales@krfilters.com)  
Phone (732) 636-1900  
Fax (732) 636-1982

# KR Electronics 3175

## Specifications

Parameter	Specification	Notes
Filter type	Bandpass	
Center Frequency	247.5 MHz	
Insertion Loss	3.5 dB max	2.3 dB typical
1 dB Bandwidth	15 MHz min	17.5 MHz typical
3 dB Bandwidth	22 MHz typical	
20 dB Bandwidth	39.4 MHz typical	
40 dB Bandwidth	69 MHz typical	
Source and Load	50 Ω	

## Physical Dimensions



### Notes:

1. Surface mount package
2. Dimensions in inches
3. Max reflow temperature 230° C for 10 sec
4. If boards are cleaned after installation units must be completely dried