

# KR Electronics, Inc.

## General Description

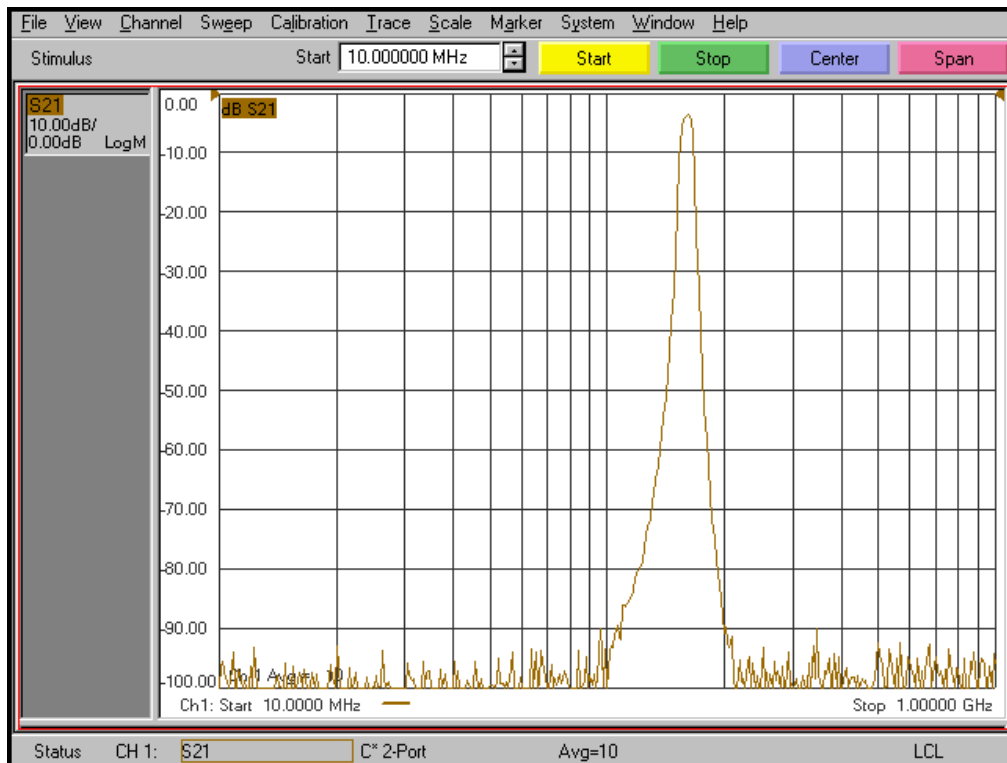
KR Electronics part number 3172-SMA is a 160 MHz bandpass filter. The filter has a min 3 dB bandwidth of 10 MHz. Other center frequencies and bandwidths are available. Please consult the factory.

### Features

- 160 MHz Bandpass Filter
- 10 MHz min 3 dB Bandwidth
- 50  $\Omega$  Source and Load
- SMA Connectors
- Surface mount available

## Typical Performance

### Overall Response (10 dB/div)

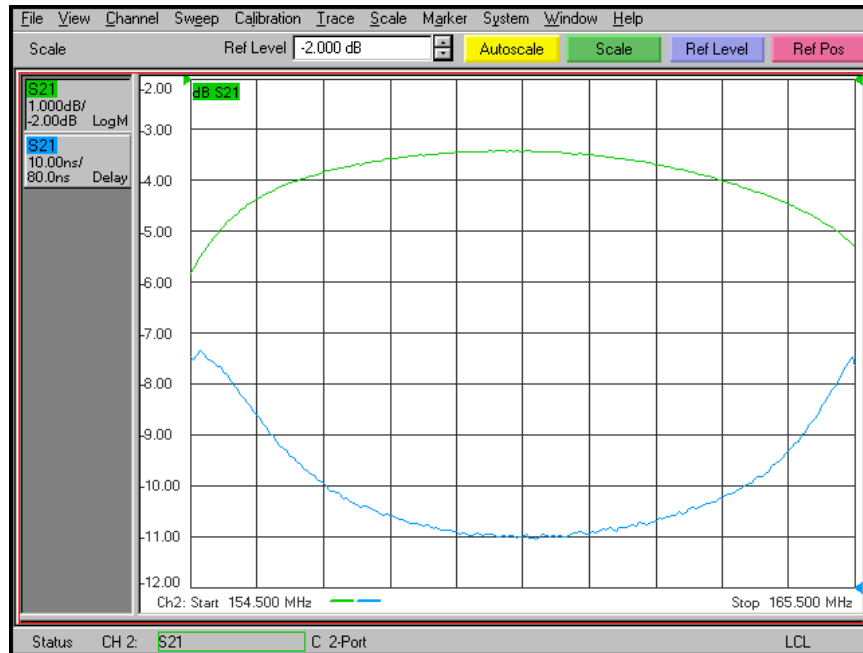


KR Electronics, Inc.  
91 Avenel Street  
Avenel, NJ 07001

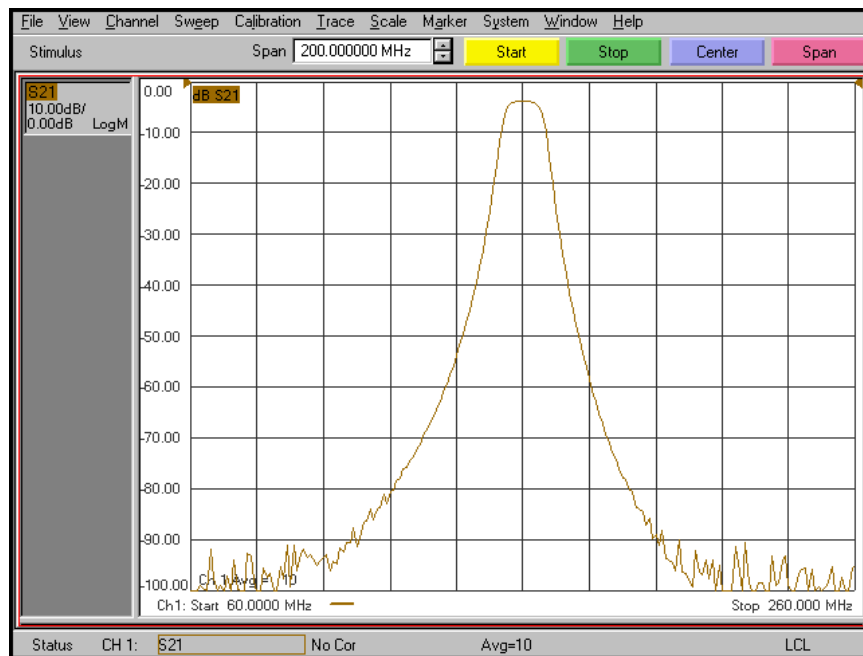
Web [www.krfilters.com](http://www.krfilters.com)  
Email [sales@krfilters.com](mailto:sales@krfilters.com)  
Phone (732) 636-1900  
Fax (732) 636-1982

## Typical Performance

### Passband Amplitude & Group Delay (1 dB/div & 10 nsec/div)



### Overall Response (10 dB/div)



KR Electronics, Inc.  
91 Avenel Street  
Avenel, NJ 07001

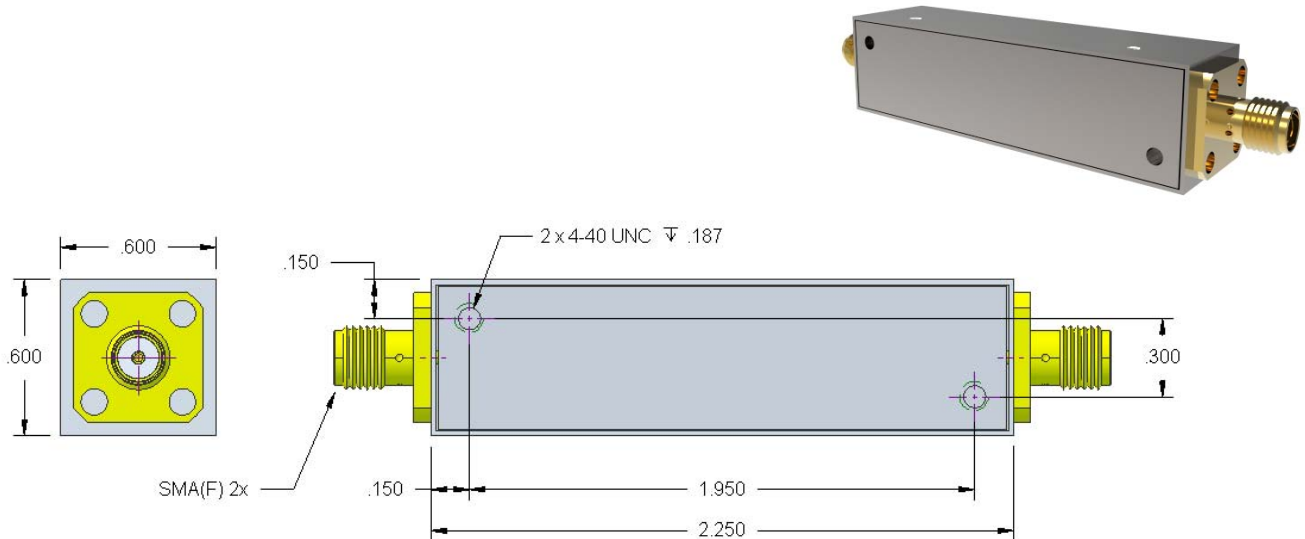
Web [www.krfilters.com](http://www.krfilters.com)  
Email [sales@krfilters.com](mailto:sales@krfilters.com)  
Phone (732) 636-1900  
Fax (732) 636-1982

# KR Electronics 3172-SMA

## Specifications

Parameter	Specification	Notes
Filter type	Bandpass	
Center Frequency Fc	160 MHz	
Insertion Loss at Fc	4.5 dBa max	3.5 dBa typical
1 dBc Bandwidth	8.6 MHz typical	
3 dBc Bandwidth	10 MHz min	11.7 MHz typical
20 dBc Bandwidth	19.2 MHz typical	
40 dBc Bandwidth	30.2 MHz typical	
60 dBc Bandwidth	48 MHz typical	
Source and Load	50 Ω	

## Physical Dimensions



**Notes:**

1. Dimensions in inches
2. Rectangular case
3. Also available in surface mount package 1.5" x 0.5" x 0.5"

KR Electronics, Inc.  
91 Avenel Street  
Avenel, NJ 07001

Web [www.krfilters.com](http://www.krfilters.com)  
Email [sales@krfilters.com](mailto:sales@krfilters.com)  
Phone (732) 636-1900  
Fax (732) 636-1982