

KR Electronics, Inc.

General Description

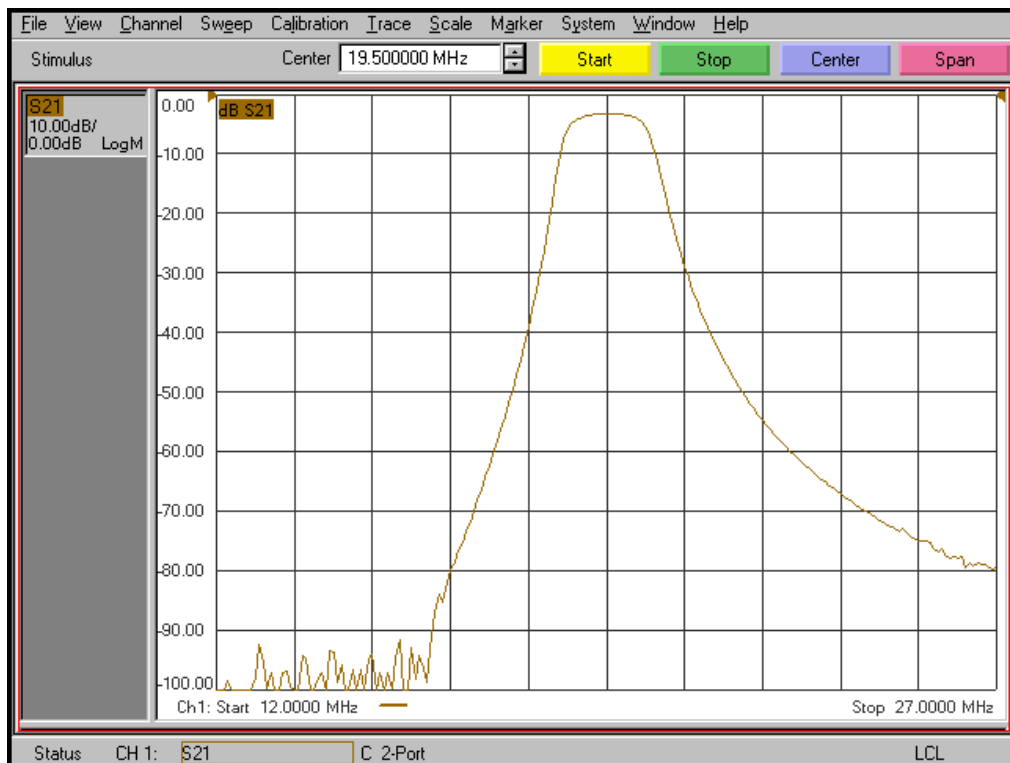
KR Electronics part number 3167-19.5 is a 19.5 MHz band-pass filter. The filter has a minimum 3 dB bandwidth of 1.5 MHz. Other center frequencies and bandwidths are available. Please consult the factory.

Features

- 19.5 MHz Bandpass Filter
- 1.5 MHz min 3 dB Bandwidth
- 3.8 MHz typical 40 dB Bandwidth
- 50 Ω Source and Load
- SMA Connectors

Typical Performance

Overall Response
(10 dB/div)

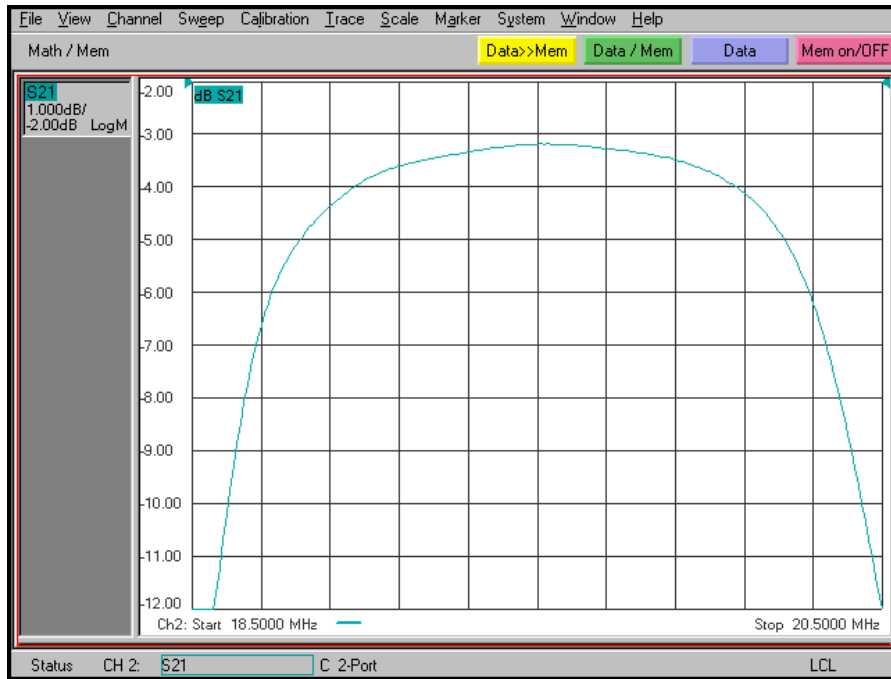


KR Electronics, Inc.
91 Avenel Street
Avenel, NJ 07001

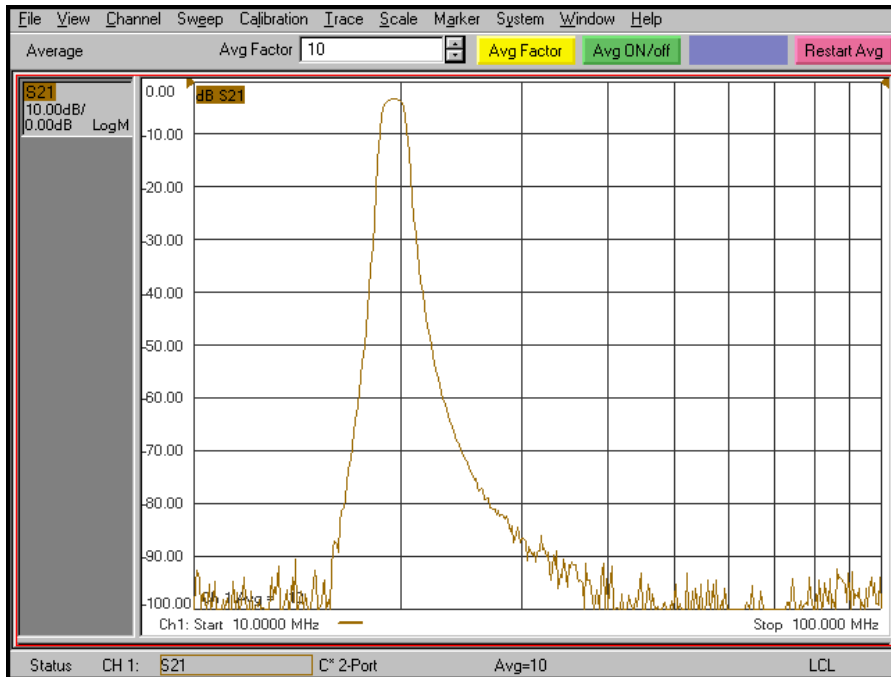
Web www.krfilters.com
Email sales@krfilters.com
Phone (732) 636-1900
Fax (732) 636-1982

KR Electronics 3167-19.5

Passband Amplitude (1 dB/div)



Overall Response (10 dB/div)



KR Electronics, Inc.
91 Avenel Street
Avenel, NJ 07001

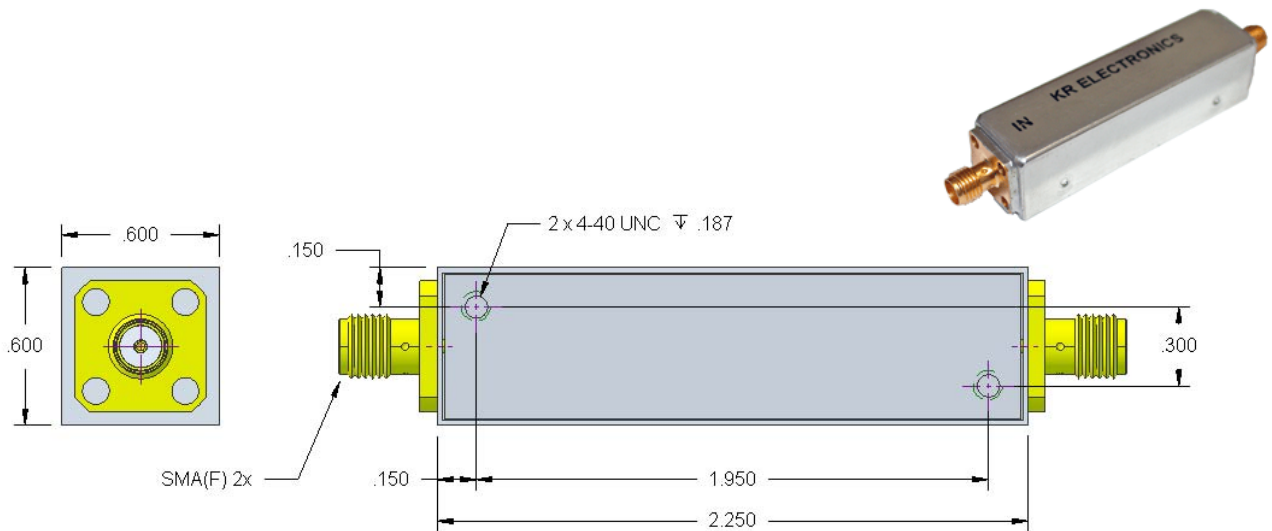
Web www.krfilters.com
Email sales@krfilters.com
Phone (732) 636-1900
Fax (732) 636-1982

KR Electronics 3167-19.5

Specifications

Parameter	Specification	
Filter type	Bandpass	
Center Frequency	19.5 MHz	
Insertion Loss at Center Frequency	5 dB max	3.4 dB typical
3 dB Bandwidth	1.5 MHz min	
40 dB Bandwidth	4 MHz max	3.8 MHz typical
Source and Load	50 Ω	

Physical Dimensions



Notes:

1. Dimensions in inches
2. Rectangular case