

KR Electronics, Inc.

General Description

KR Electronics part number 3165 is a 189 MHz bandpass filter. The filter has a minimum 2 dB bandwidth of 58 MHz. Other frequencies are available. Please consult the factory.

Features

- 189 MHz Bandpass Filter
- 58 MHz min 2 dB Bandwidth
- Sharp Elliptic Type Response
- 50 Ω Source and Load
- Surface Mount
- SMA Connectors Available

Typical Performance

Overall Response
(10 dB/div)

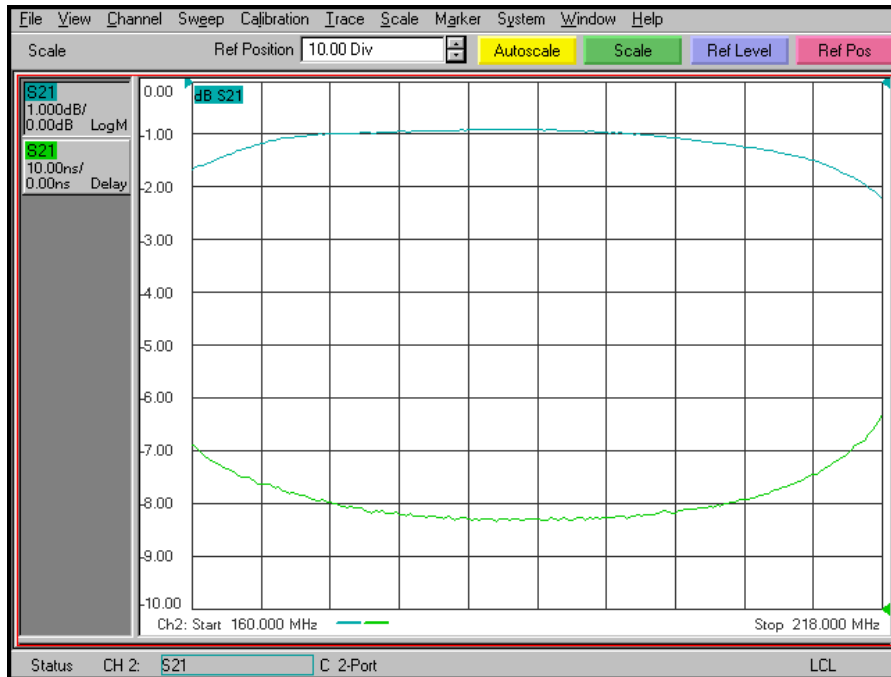


KR Electronics, Inc.
91 Avenel Street
Avenel, NJ 07001

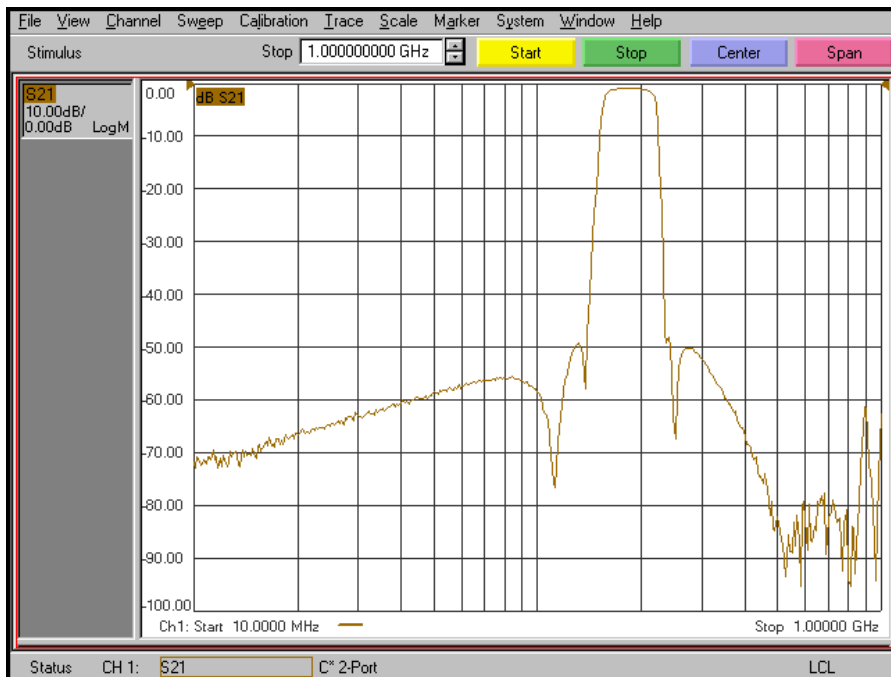
Web www.krfilters.com
Email sales@krfilters.com
Phone (732) 636-1900
Fax (732) 636-1982

KR Electronics 3165

Passband Amplitude & Group Delay (1 dB/div & 10 nsec/div)



Overall Response (10 dB/div)



KR Electronics, Inc.
91 Avenel Street
Avenel, NJ 07001

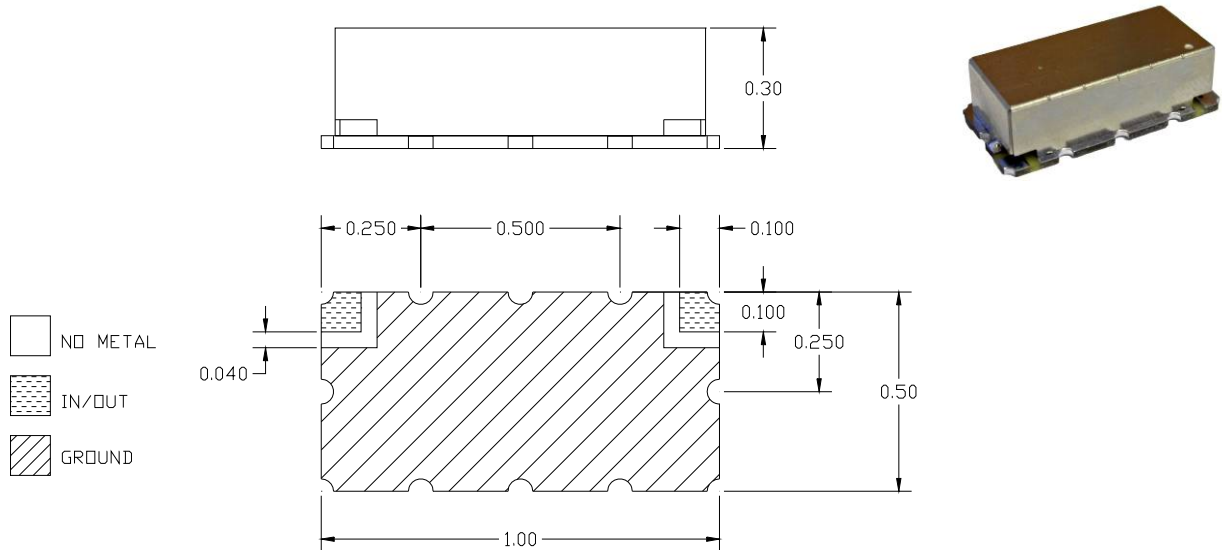
Web www.krfilters.com
Email sales@krfilters.com
Phone (732) 636-1900
Fax (732) 636-1982

KR Electronics 3165

Specifications

Parameter	Specification	Notes
Filter type	Bandpass	
Center Frequency	189 MHz	
Insertion Loss	2.5 dB max	1 dB typical
1 dB Bandwidth	57 MHz typical	
2 dB Bandwidth	58 MHz min	64 MHz typical
3 dB Bandwidth	67 MHz typical	
40 dB Bandwidth	95 MHz max	
Source and Load	50 Ω	

Physical Dimensions



Notes:

1. Surface mount package
2. Dimensions in inches
3. Max reflow temperature 230° C for 10 sec
4. If boards are cleaned after installation units must be completely dried
5. See part number 3165-SMA for SMA connector version