

## General Description

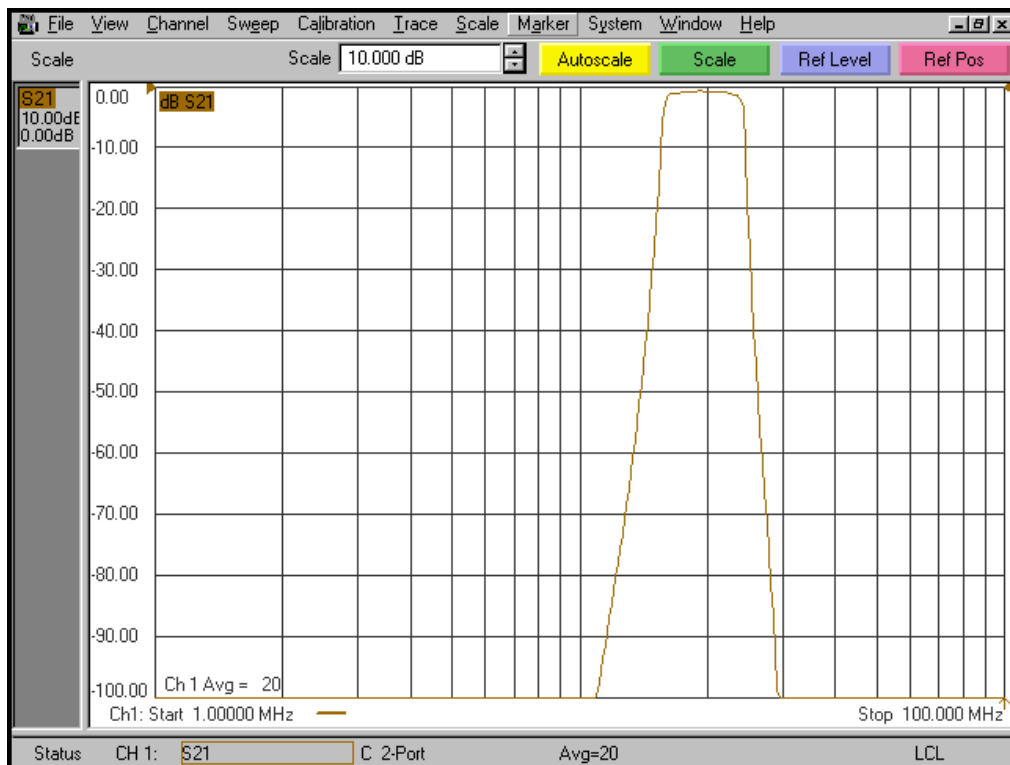
KR Electronics part number 3159 is a 20 MHz bandpass filter. The filter has a typical 1 dB bandwidth of 7.5 MHz. Other center frequencies and bandwidths are available. Please consult the factory.

### Features

- 20 MHz Bandpass Filter
- Highly Selective Elliptic Type
- High Stopband Attenuation
- 100 dB min Rejection at 10 MHz & 30 MHz
- 50  $\Omega$  Source and Load
- SMA Connectors

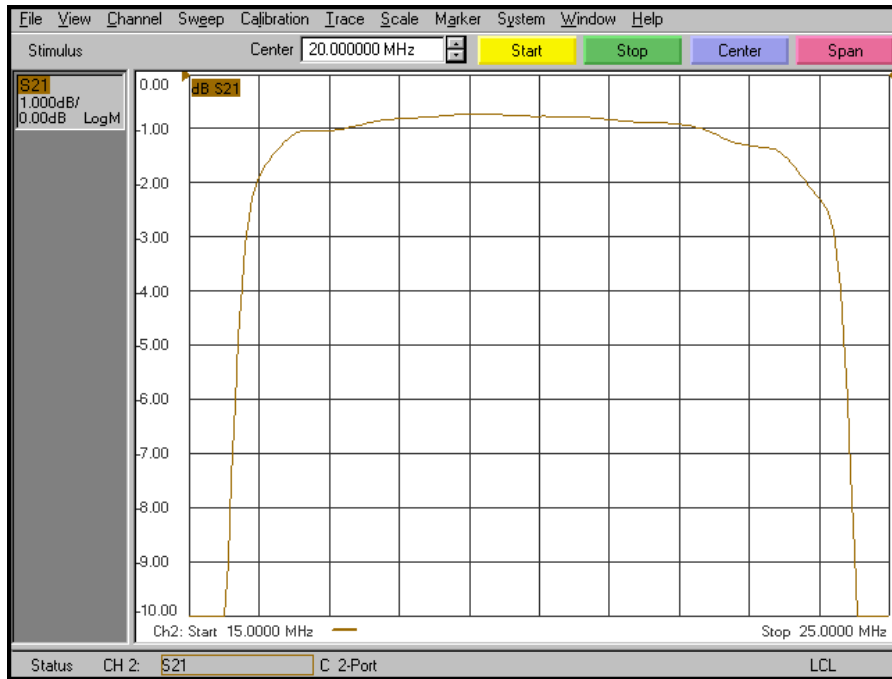
## Typical Performance

### Overall Response (10 dB/div)

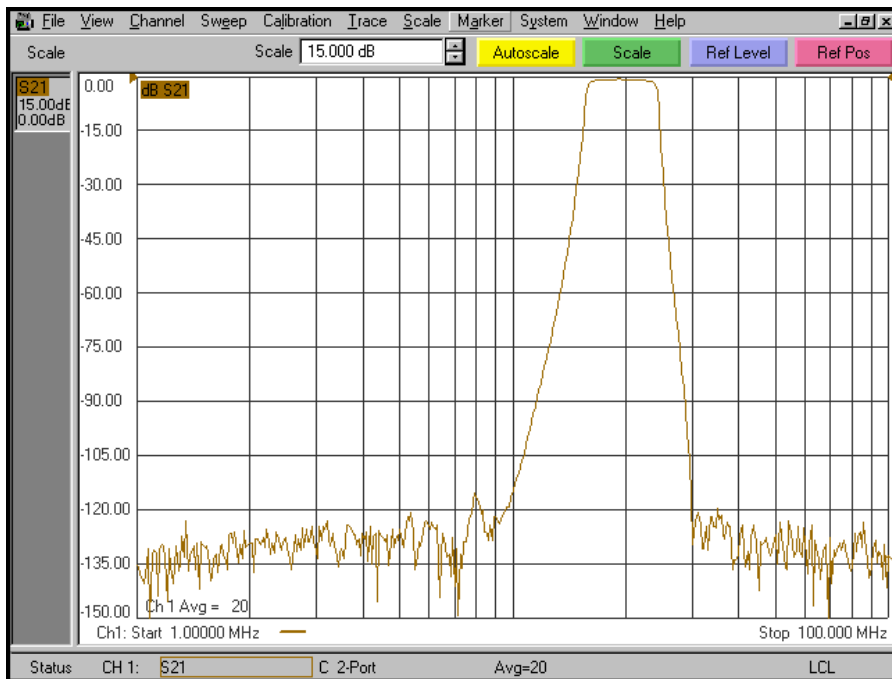


# KR Electronics 3159

## Passband Amplitude (1 dB/div)



## Overall Response (15 dB/div)



KR Electronics, Inc.  
91 Avenel Street  
Avenel, NJ 07001

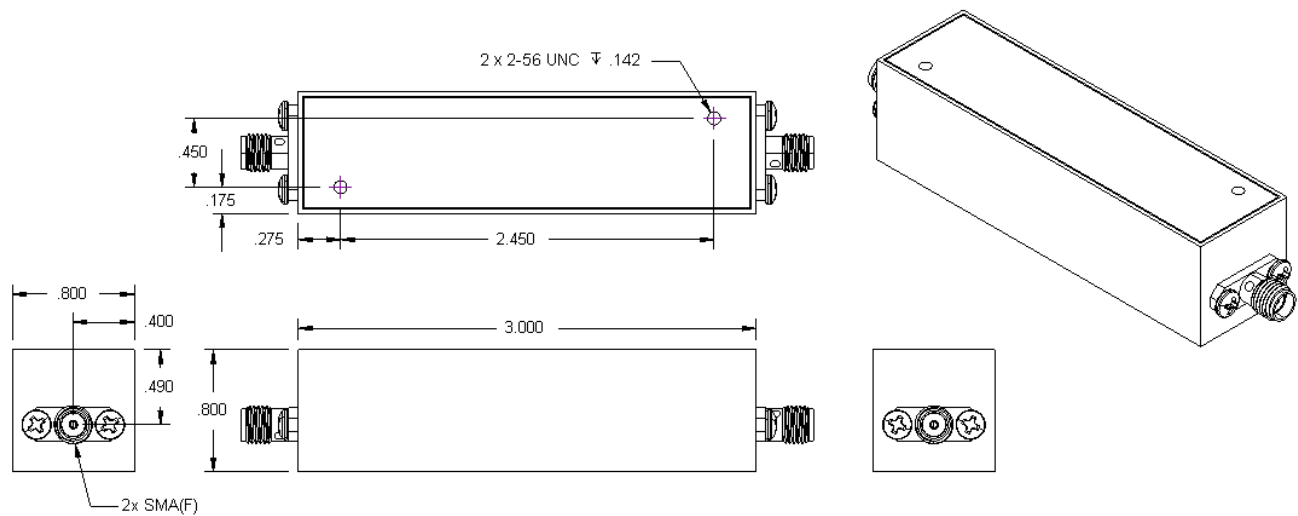
Web [www.krfilters.com](http://www.krfilters.com)  
Email [sales@krfilters.com](mailto:sales@krfilters.com)  
Phone (732) 636-1900  
Fax (732) 636-1982

# KR Electronics 3159

## Specifications

Parameter	Specification
Filter type	Bandpass
Center Frequency	20 MHz
Insertion Loss at Center Frequency	1 dB max
1 dB Bandwidth	7.5 MHz typical
3 dB Bandwidth	8.46 MHz typical
40 dB Bandwidth	11.3 MHz typical
60 dB Bandwidth	13.5 MHz typical
80 dB Bandwidth	15.9 MHz typical
Rejection at 10 MHz and 30 MHz	100 dB min
Source and Load	50 $\Omega$

## Physical Dimensions



**Notes:**

1. Input SMA(f)
2. Output SMA(f)
3. Mounting Inserts 2x 2-56
4. Dimensions in inches

KR Electronics, Inc.  
91 Avenel Street  
Avenel, NJ 07001

Web [www.krfilters.com](http://www.krfilters.com)  
Email [sales@krfilters.com](mailto:sales@krfilters.com)  
Phone (732) 636-1900  
Fax (732) 636-1982