

KR Electronics, Inc.

General Description

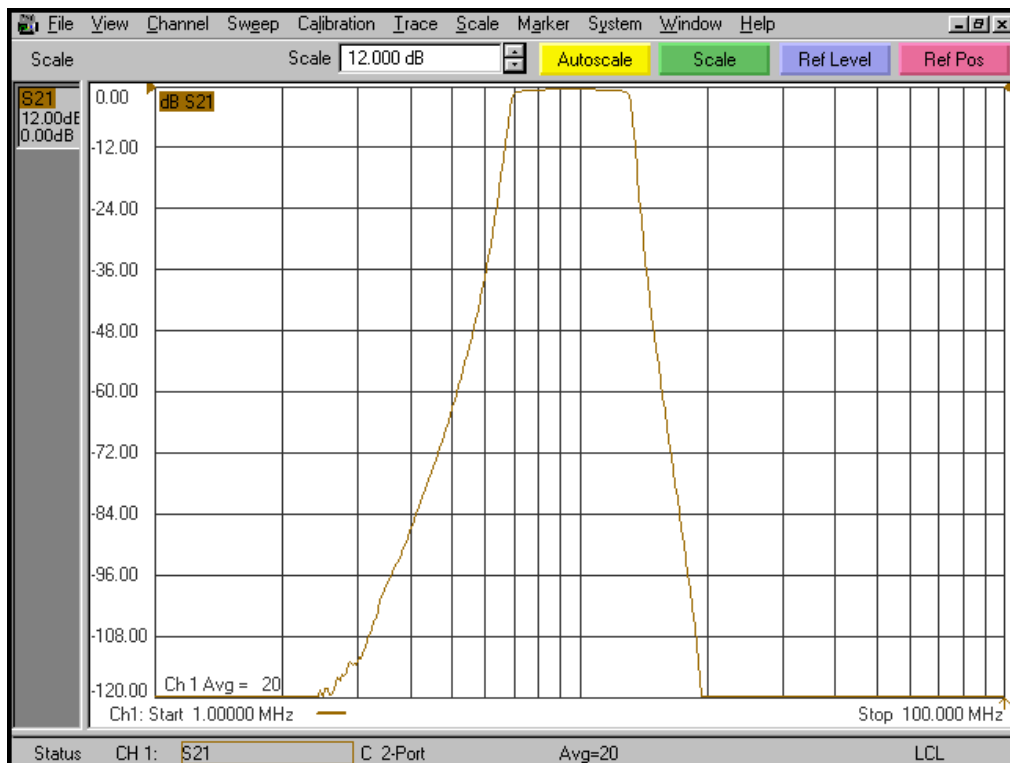
KR Electronics part number 3158 is a 10 MHz bandpass filter. The filter has a typical 1 dB bandwidth of 6 MHz. Other center frequencies and bandwidths are available. Please consult the factory.

Features

- 10 MHz Bandpass Filter
- Highly Selective Elliptic Type
- High Stopband Attenuation
- 100 dB min Rejection at 20 MHz
- 50 Ω Source and Load
- SMA Connectors

Typical Performance

Overall Response (12 dB/div)

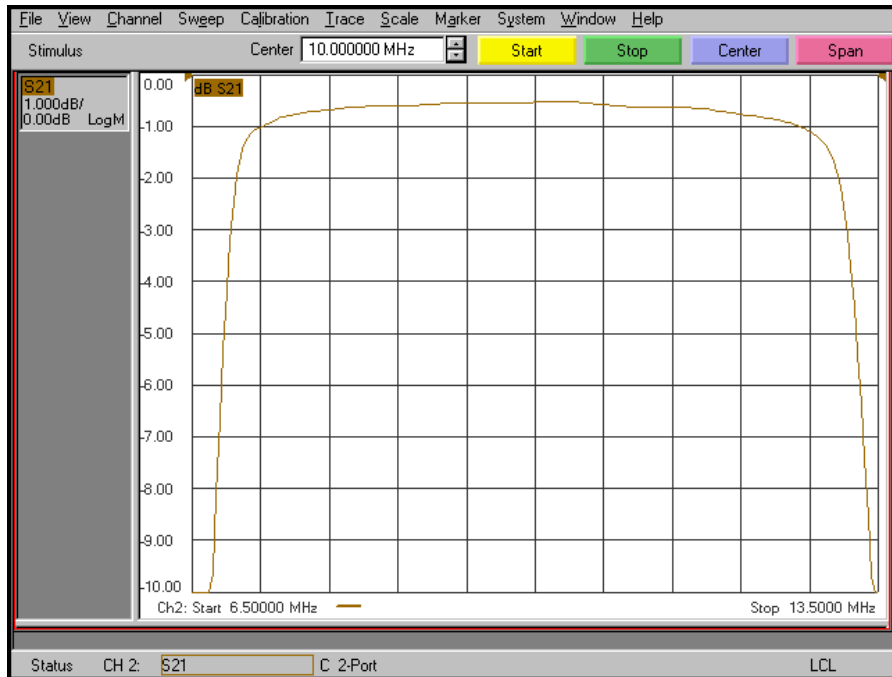


KR Electronics, Inc.
91 Avenel Street
Avenel, NJ 07001

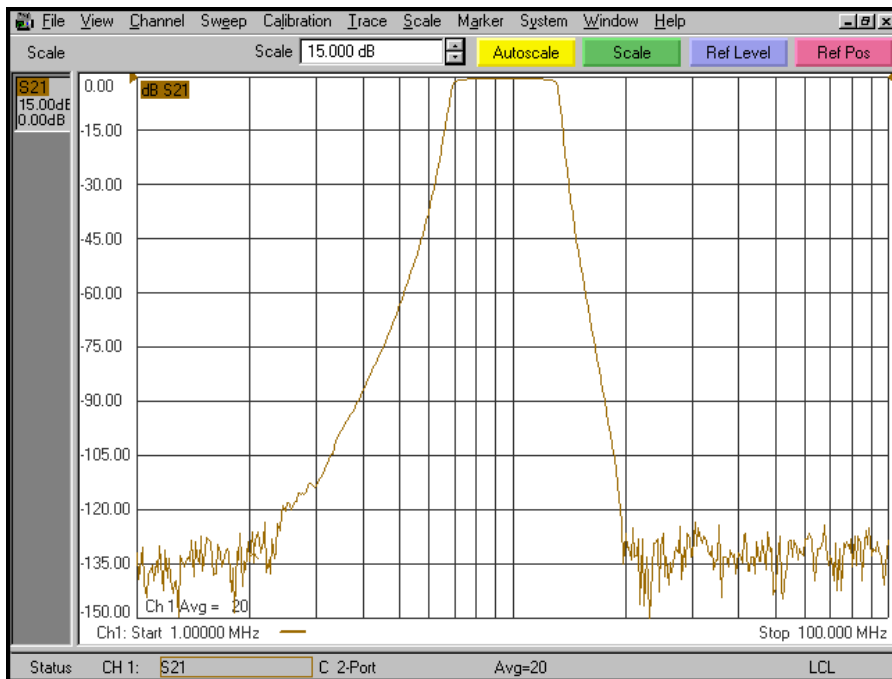
Web www.krfilters.com
Email sales@krfilters.com
Phone (732) 636-1900
Fax (732) 636-1982

KR Electronics 3158

Passband Amplitude (1 dB/div)



Overall Response (15 dB/div)



KR Electronics, Inc.
91 Avenel Street
Avenel, NJ 07001

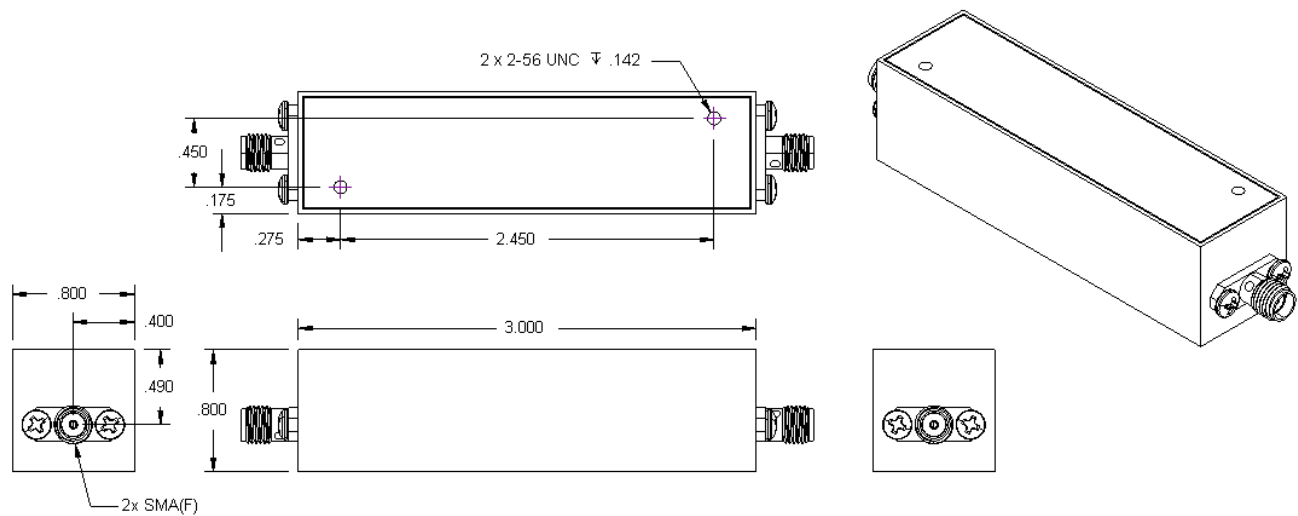
Web www.krfilters.com
Email sales@krfilters.com
Phone (732) 636-1900
Fax (732) 636-1982

KR Electronics 3158

Specifications

Parameter	Specification
Filter type	Bandpass
Center Frequency	10 MHz
Insertion Loss at Center Frequency	1 dB max
1 dB Bandwidth	6 MHz typical
3 dB Bandwidth	6.3 MHz typical
40 dB Bandwidth	8.7 MHz typical
60 dB Bandwidth	10.5 MHz typical
80 dB Bandwidth	12.7 MHz typical
Rejection at 20 MHz	100 dB min
Source and Load	50 Ω

Physical Dimensions



Notes:

1. Input SMA(f)
2. Output SMA(f)
3. Mounting Inserts 2x 2-56
4. Dimensions in inches

KR Electronics, Inc.
91 Avenel Street
Avenel, NJ 07001

Web www.krfilters.com
Email sales@krfilters.com
Phone (732) 636-1900
Fax (732) 636-1982