

KR Electronics, Inc.

General Description

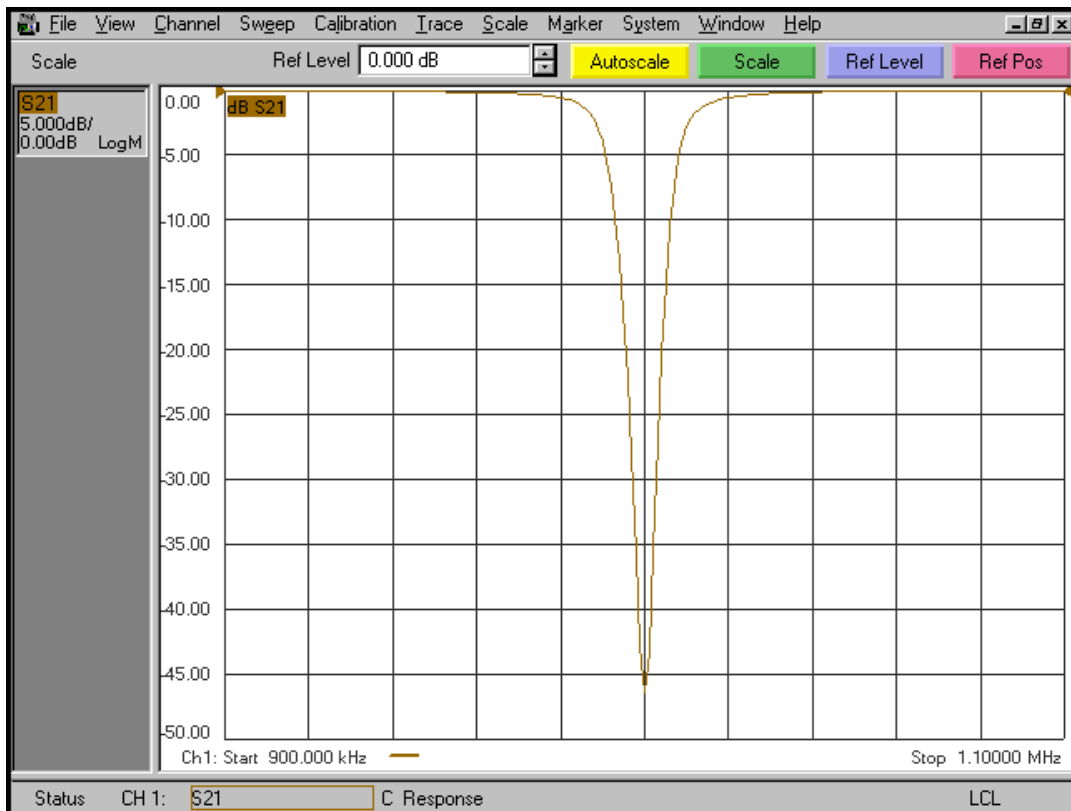
KR Electronics part number 3150 is a 1 MHz notch filter. The filter has a max 3 dB bandwidth of 26 KHz. Other center frequencies and bandwidths available. Please consult the factory.

Features

- 1 MHz Notch Frequency
- 26 KHz max 3 dB Bandwidth
- Notch Rejection 35 dB min (45 dB typical)
- 250 Ω Source and Load
- BNC Connectors

Typical Performance

Overall Response (5 dB/div)

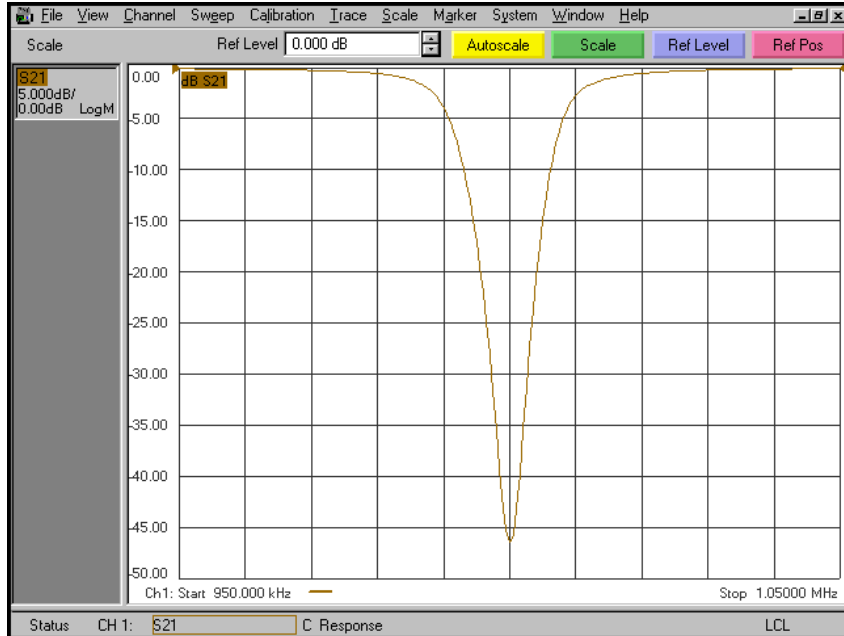


KR Electronics, Inc.
91 Avenel Street
Avenel, NJ 07001

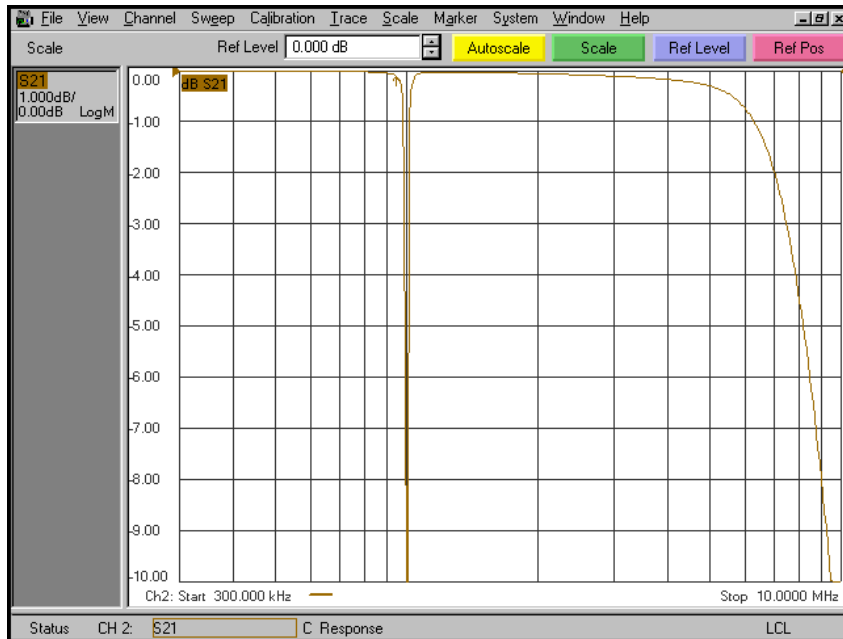
Web www.krfilters.com
Email sales@krfilters.com
Phone (732) 636-1900
Fax (732) 636-1982

Typical Performance

Notch Response
(5 dB/div)



Passband Response to 10 MHz
(1 dB/div)



KR Electronics, Inc.
91 Avenel Street
Avenel, NJ 07001

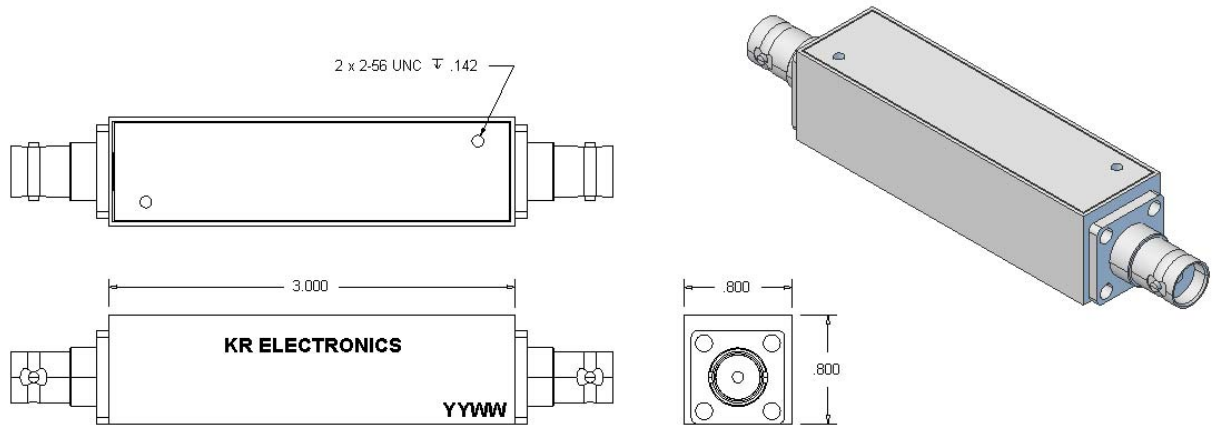
Web www.krfilters.com
Email sales@krfilters.com
Phone (732) 636-1900
Fax (732) 636-1982

KR Electronics 3150

Specifications

Parameter	Specification	Notes
Filter type	Notch	
Notch Frequency	1 MHz	
Rejection at Notch	35 dB min	45 dB typical
3 dB Bandwidth	26 KHz max	21 KHz typical
20 dB Bandwidth	8.1 KHz typical	
30 dB Bandwidth	4.9 KHz typical	
40 dB Bandwidth	3.8 KHz typical	
Response to 5 MHz	1 dB max	
Source and Load	250 Ω	

Physical Dimensions



Notes:

1. BNC(F) In/Out
2. Mounting Inserts 2x 2-56
3. Dimensions in inches

KR Electronics, Inc.
91 Avenel Street
Avenel, NJ 07001

Web www.krfilters.com
Email sales@krfilters.com
Phone (732) 636-1900
Fax (732) 636-1982