

KR Electronics, Inc.

General Description

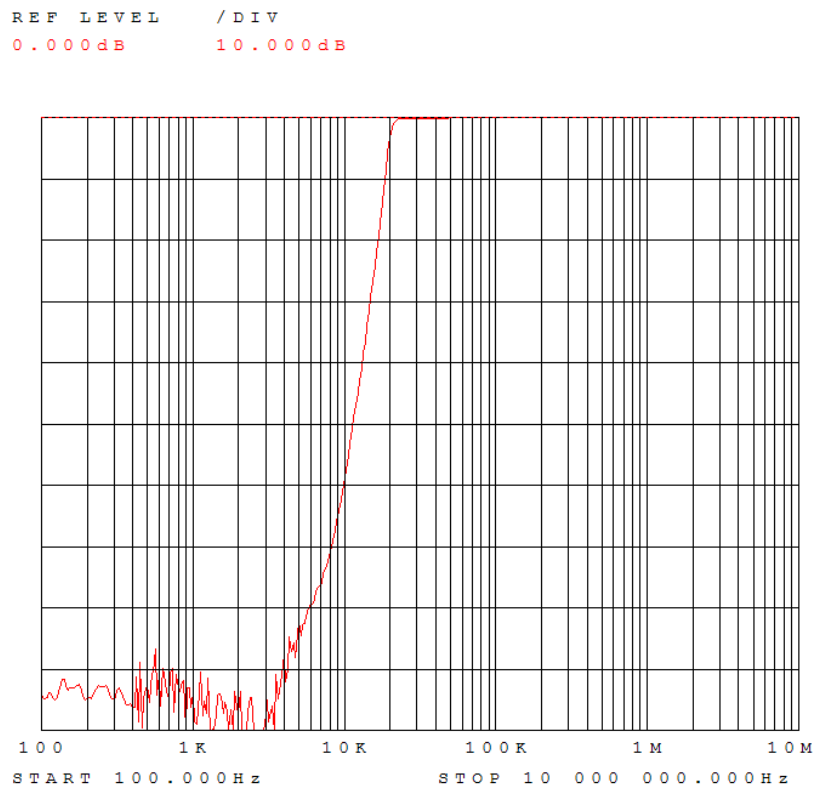
KR Electronics part number 3148 is a 20 KHz highpass filter. The filter has attains 55 dB min at 10 KHz. Other frequencies are available. Please consult the factory.

Features

- 20 KHz Highpass Filter
- 55 dB min at 10 KHz
- 50 Ω Source and Load
- BNC Connectors

Typical Performance

Overall Response (10 dB/div)



KR Electronics, Inc.
91 Avenel Street
Avenel, NJ 07001

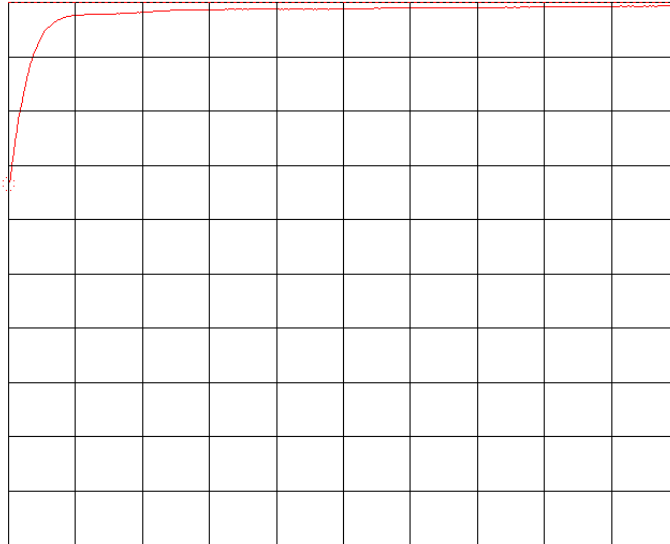
Web www.krfilters.com
Email sales@krfilters.com
Phone (732) 636-1900
Fax (732) 636-1982

KR Electronics 3148

Passband Amplitude

(1 dB/div)

REF LEVEL / DIV MARKER 20 000.000Hz
 0.000dB 1.000dB MAG(UDF) -3.343dB

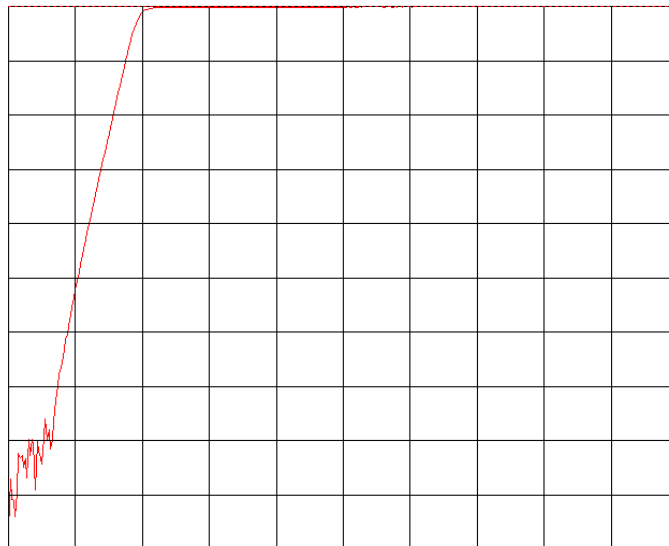


START 20 000.000Hz STOP 50 000.000Hz
 AMPTD 0.0dBm

Overall Response

(10 dB/div)

REF LEVEL / DIV
 0.000dB 10.000dB



START 1 000.000Hz STOP 101 000.000Hz
 AMPTD 0.0dBm

KR Electronics, Inc.
 91 Avenel Street
 Avenel, NJ 07001

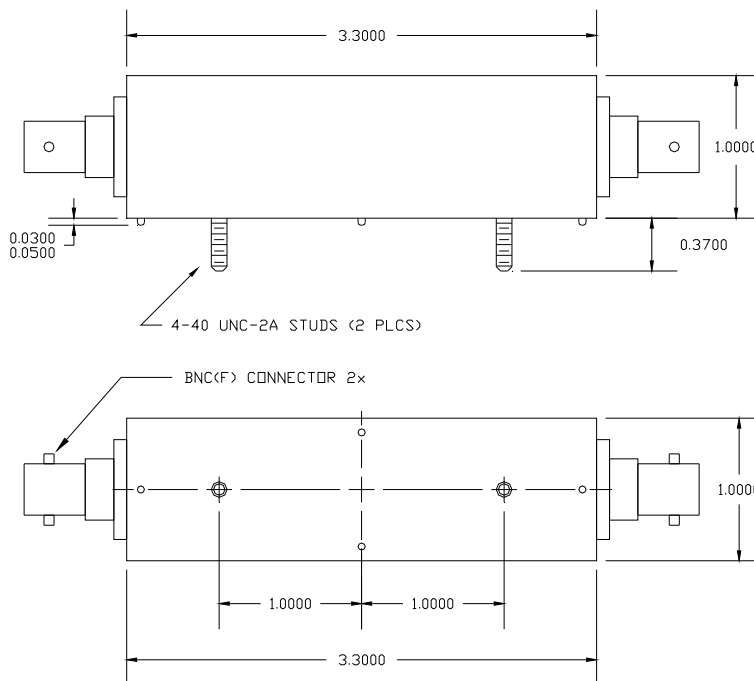
Web www.krfilters.com
 Email sales@krfilters.com
 Phone (732) 636-1900
 Fax (732) 636-1982

KR Electronics 3148

Specifications

Parameter	Specification
Filter type	Highpass
DC to 10 KHz	55 dB min
20 KHz	3 dB ± 1 dB
Passband (< 1 dB)	to 20 MHz min
Source and Load	50 Ω

Physical Dimensions



Notes:

1. Dimensions in inches
2. Rectangular case
3. Other connectors and case configurations available

KR Electronics, Inc.
91 Avenel Street
Avenel, NJ 07001

Web www.krfilters.com
Email sales@krfilters.com
Phone (732) 636-1900
Fax (732) 636-1982