

# KR Electronics, Inc.

## General Description

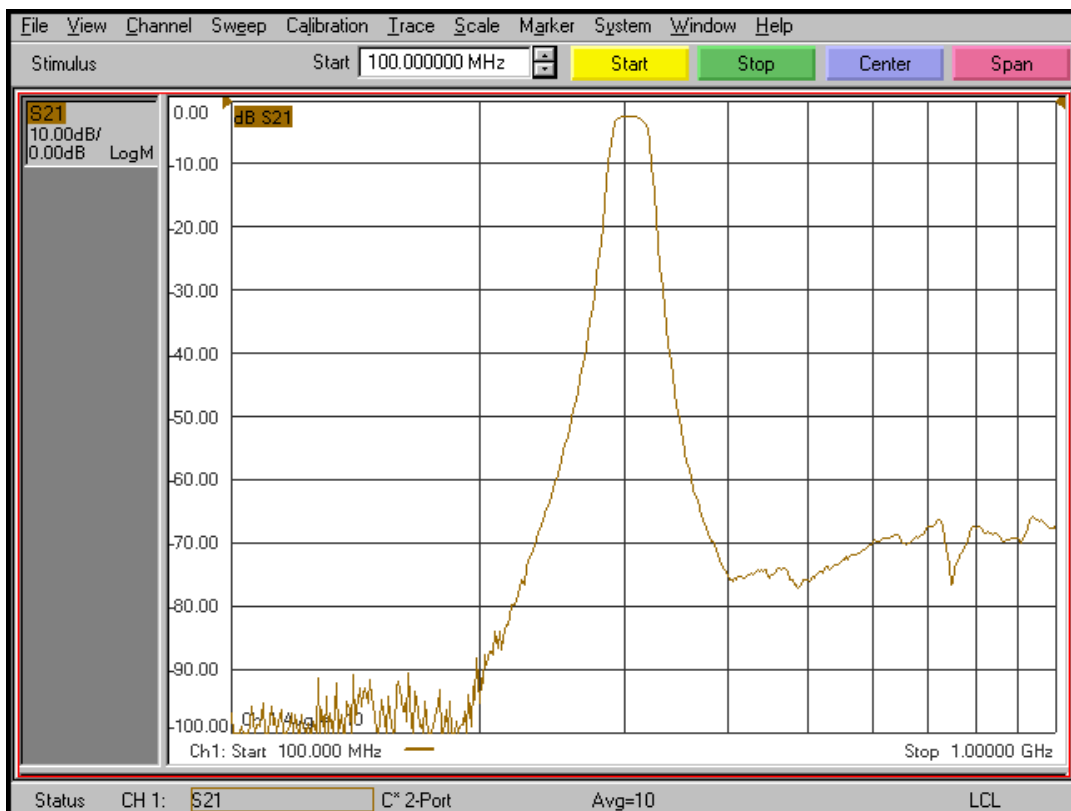
KR Electronics part number 3145 is a 305 MHz bandpass filter. The filter has a minimum 3 dB bandwidth of 30 MHz. Other center frequencies and bandwidths available. Please consult the factory.

### Features

- 305 MHz Center Frequency
- 30 MHz minimum 3 dB Bandwidth
- 76 MHz typical 40 dB Bandwidth
- 50  $\Omega$  Source and Load
- Surface Mount

## Typical Performance

### Overall Response (10 dB/div)



KR Electronics, Inc.  
91 Avenel Street  
Avenel, NJ 07001

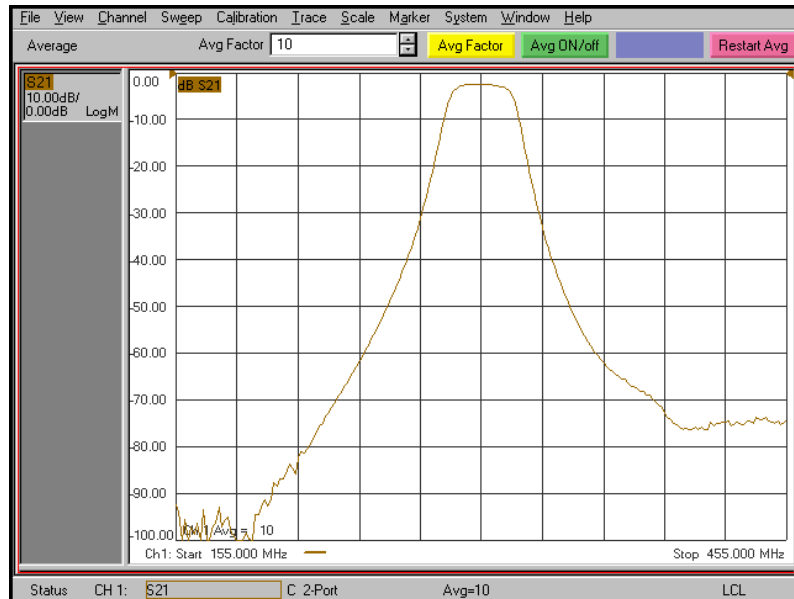
Web [www.krfilters.com](http://www.krfilters.com)  
Email [sales@krfilters.com](mailto:sales@krfilters.com)  
Phone (732) 636-1900  
Fax (732) 636-1982

## Typical Performance

### Passband Amplitude & Group Delay (1 dB/div & 10 nsec/div)



### Overall Amplitude (10 dB/div)



KR Electronics, Inc.  
91 Avenel Street  
Avenel, NJ 07001

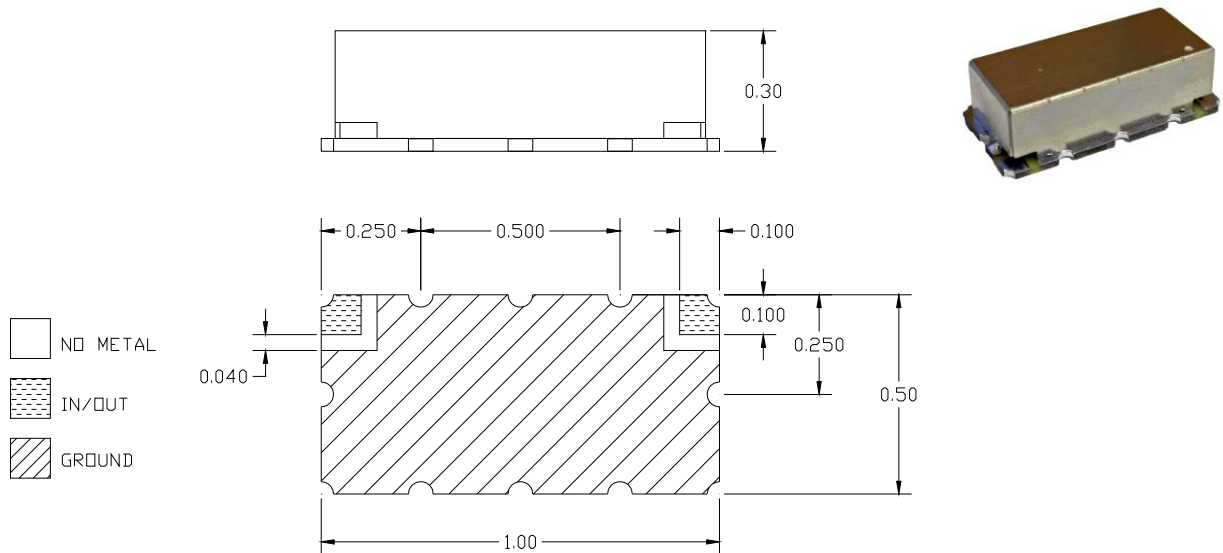
Web: [www.krfilters.com](http://www.krfilters.com)  
Email: [sales@krfilters.com](mailto:sales@krfilters.com)  
Phone: (732) 636-1900  
Fax: (732) 636-1982

# KR Electronics 3145

## Specifications

Parameter	Specification	
Filter type	Bandpass	
Center Frequency	305 MHz	
Insertion Loss	4 dB max	2.4 dB typical
3 dB Bandwidth	30 MHz min	31 MHz typical
10 dB Bandwidth	39 MHz typical	
20 dB Bandwidth	49 MHz typical	
40 dB Bandwidth	76 MHz typical	
60 dB Bandwidth	122 MHz typical	
Source and Load	50 Ω	

## Physical Dimensions



### Notes:

1. Surface mount package
2. Dimensions in inches
3. Max reflow temperature 230° C for 10 sec
4. If boards are cleaned after installation units must be completely dried

KR Electronics, Inc.  
91 Avenel Street  
Avenel, NJ 07001

Web [www.krfilters.com](http://www.krfilters.com)  
Email [sales@krfilters.com](mailto:sales@krfilters.com)  
Phone (732) 636-1900  
Fax (732) 636-1982