

# KR Electronics, Inc.

## General Description

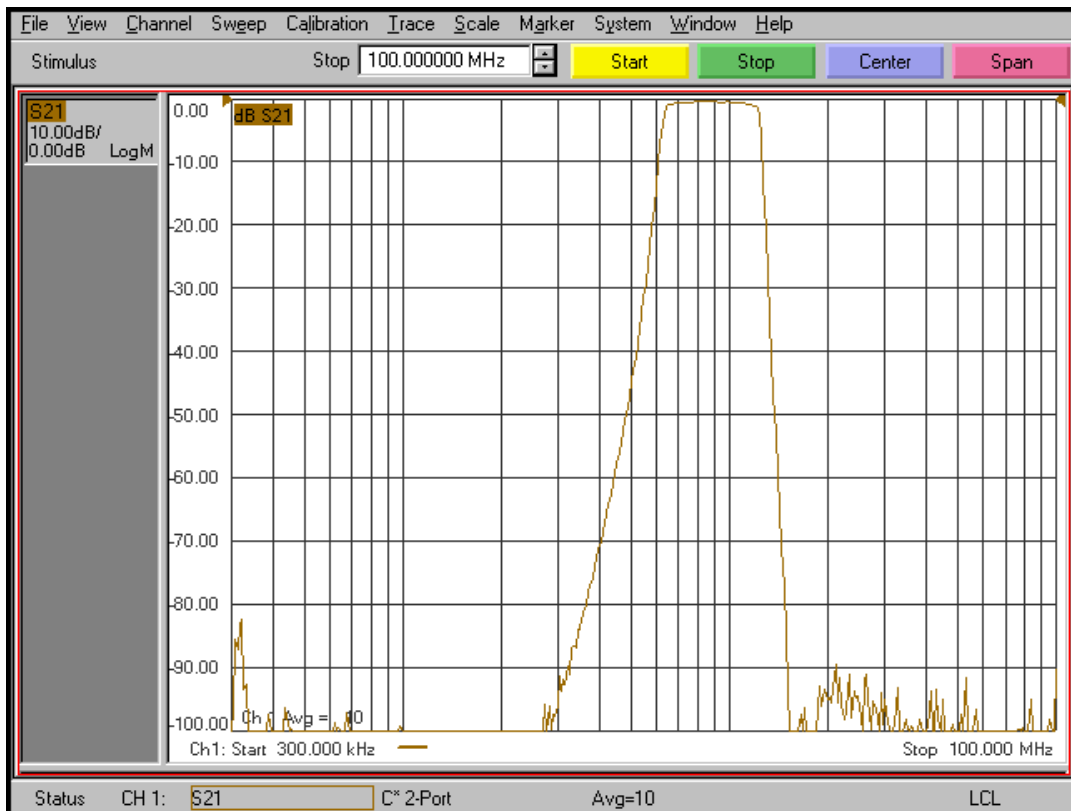
KR Electronics part number 3131-9.1 is a 9.1 MHz bandpass filter. The filter has a minimum 1 dB bandwidth of 5.1 MHz. Other center frequencies and bandwidths available. Please consult the factory.

### Features

- 9.1 MHz Center Frequency
- 5.1 MHz min 1 dB Bandwidth
- Sharp Transition to Stopband
- High Stopband Rejection >80 dB
- 50 Ω Source and Load
- SMA Connectors

## Typical Performance

### Overall Response (10 dB/div)

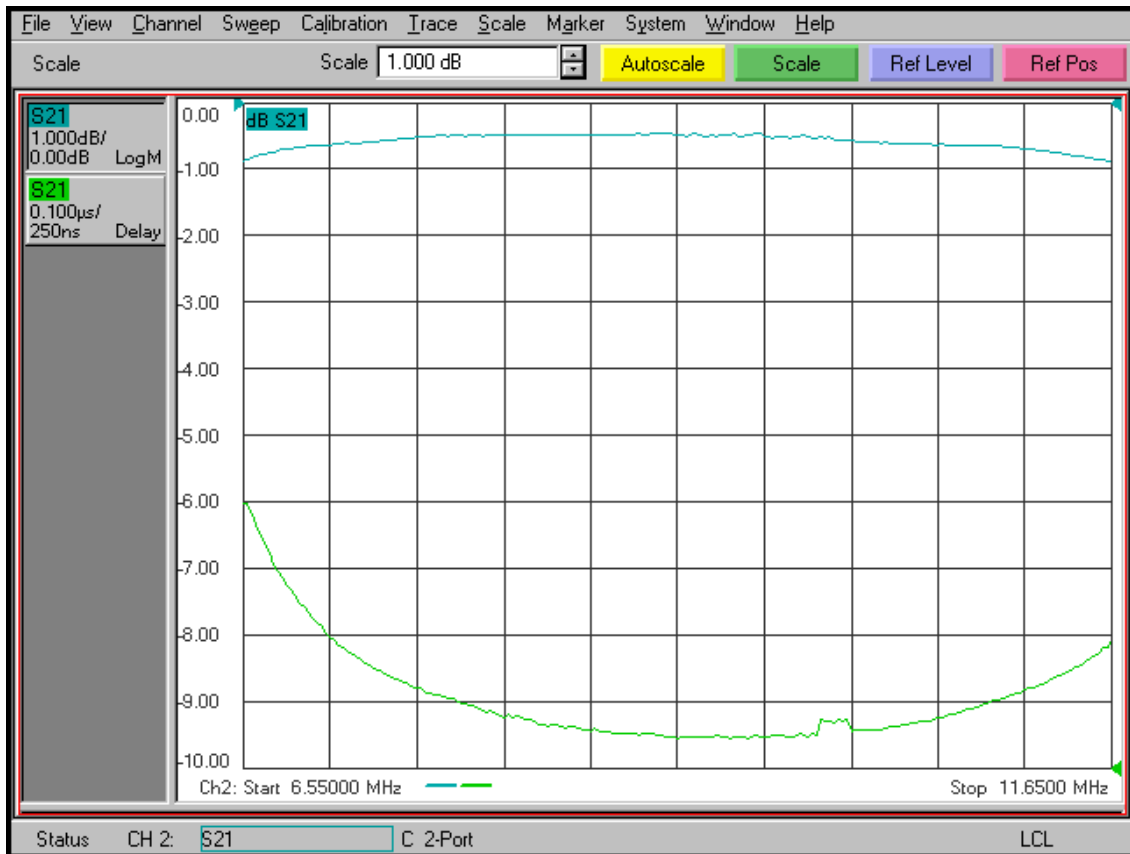


KR Electronics, Inc.  
91 Avenel Street  
Avenel, NJ 07001

Web [www.krfilters.com](http://www.krfilters.com)  
Email [sales@krfilters.com](mailto:sales@krfilters.com)  
Phone (732) 636-1900  
Fax (732) 636-1982

## Typical Performance

### Passband Amplitude & Group Delay (1 dB/div & 100 nsec/div)

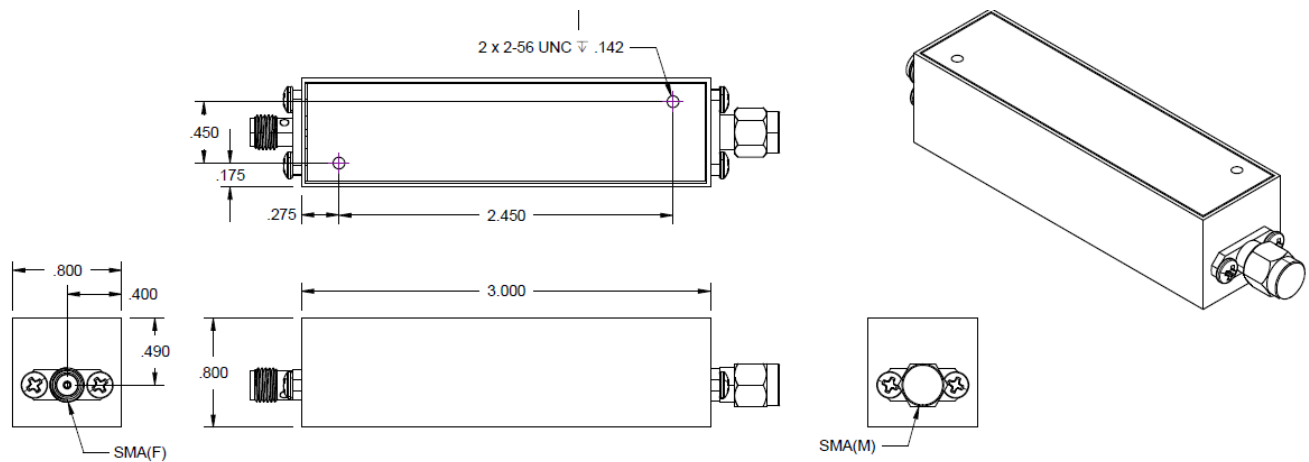


# KR Electronics 3131-9.1

## Specifications

Parameter	Specification	Notes
Filter type	Bandpass	
Center Frequency	9.1 MHz	
Insertion Loss	1.5 dB max	0.5 dB typical
1 dB Bandwidth	5.1 MHz min 5.85 MHz typical	6.55 MHz to 11.65 MHz
3 dB Bandwidth	6.15 MHz typical	
40 dB Bandwidth	8.27 MHz typical	
Rejection at 3 MHz	80 dB min	
Rejection at 15.3 MHz	80 dB min	
Source and Load	50 Ω	

## Physical Dimensions



**Notes:**

1. SMA(F) to SMA(M)
2. Mounting Inserts 2x 2-56
3. Dimensions in inches

KR Electronics, Inc.  
91 Avenel Street  
Avenel, NJ 07001

Web [www.krfilters.com](http://www.krfilters.com)  
Email [sales@krfilters.com](mailto:sales@krfilters.com)  
Phone (732) 636-1900  
Fax (732) 636-1982