

KR Electronics, Inc.

General Description

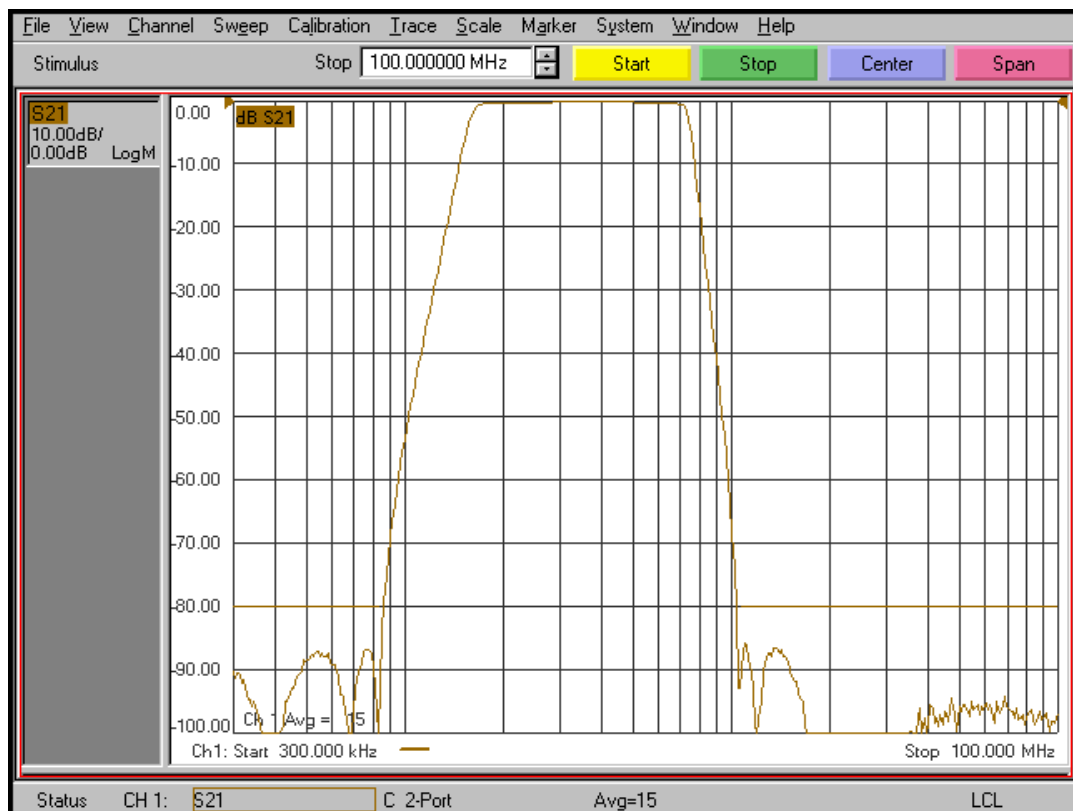
KR Electronics part number 3131-4.23 is a 4.23 MHz bandpass filter. The filter has a minimum 1 dB bandwidth of 5 MHz. Other center frequencies and bandwidths available. Please consult the factory.

Features

- 4.23 MHz Center Frequency
- 1.71 MHz to 6.75 MHz Passband
- Sharp Transition to Stopband
- High Stopband Rejection >80 dB
- 50 Ω Source and Load
- SMA Connectors

Typical Performance

Overall Response (10 dB/div)

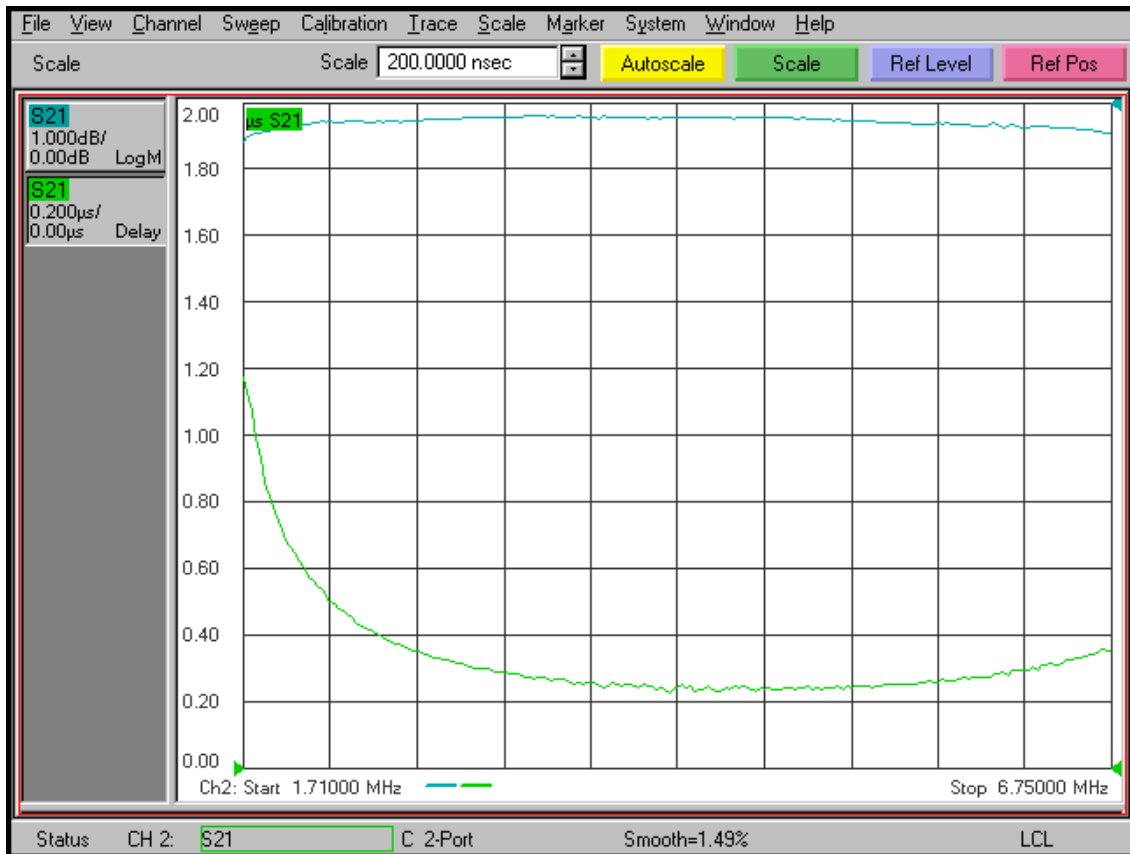


KR Electronics, Inc.
91 Avenel Street
Avenel, NJ 07001

Web www.krfilters.com
Email sales@krfilters.com
Phone (732) 636-1900
Fax (732) 636-1982

Typical Performance

Passband Amplitude & Group Delay (1 dB/div & 200 nsec/div)

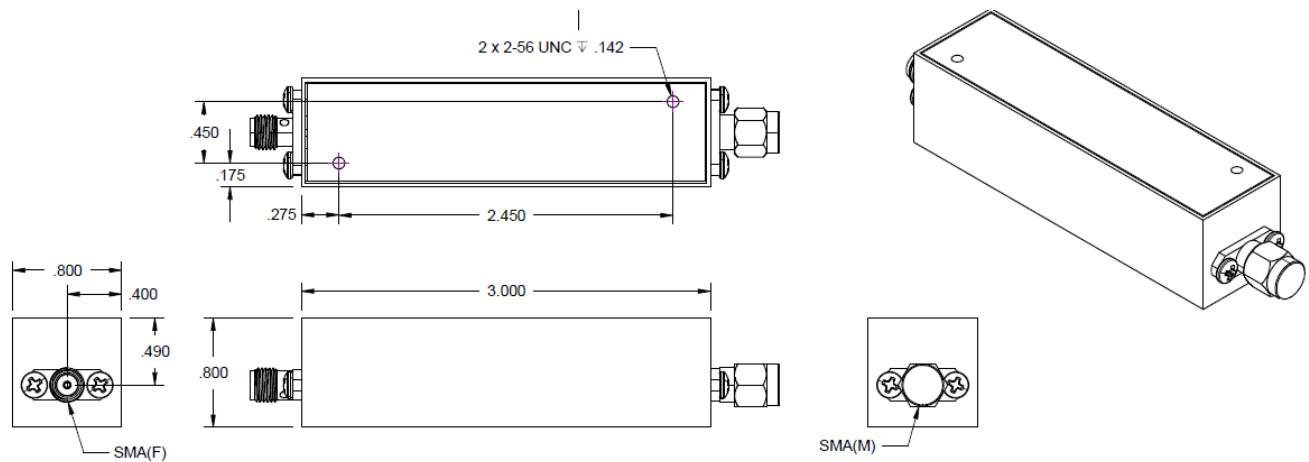


KR Electronics 3131-4.23

Specifications

Parameter	Specification	Notes
Filter type	Bandpass	
Center Frequency	4.23 MHz	
Insertion Loss	1 dB max	< 0.2 dB typical
1 dB Bandwidth	5 MHz min 5.6 MHz typical	1.71 MHz to 6.75 MHz
3 dB Bandwidth	5.85 MHz typical	
40 dB Bandwidth	7.85 MHz typical	
Rejection at 0.84 MHz	80 dB min	
Rejection at 10.7 MHz	80 dB min	
Source and Load	50 Ω	

Physical Dimensions



Notes:

1. SMA(F) to SMA(M)
2. Mounting Inserts 2x 2-56
3. Dimensions in inches

KR Electronics, Inc.
91 Avenel Street
Avenel, NJ 07001

Web www.krfilters.com
Email sales@krfilters.com
Phone (732) 636-1900
Fax (732) 636-1982