

KR Electronics, Inc.

General Description

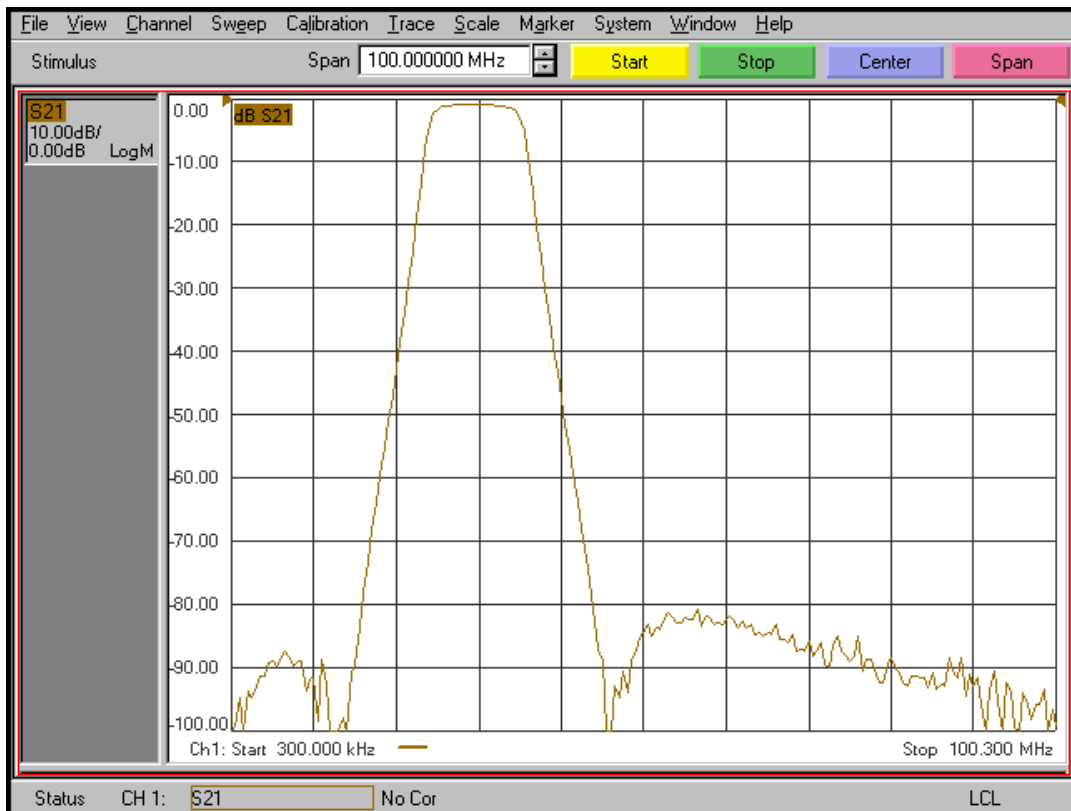
KR Electronics part number 3123 is a 30 MHz bandpass filter. The filter has a 3 dB bandwidth of 11 MHz. Other center frequencies and bandwidths available. Please consult the factory.

Features

- 30 MHz Center Frequency
- 11 MHz \pm 1 MHz 3 dB Bandwidth
- 19 MHz typical 40 dB Bandwidth
- 50 Ω Source and Load
- Surface Mount
- SMA Connectors also available

Typical Performance

Overall Response (10 dB/div)

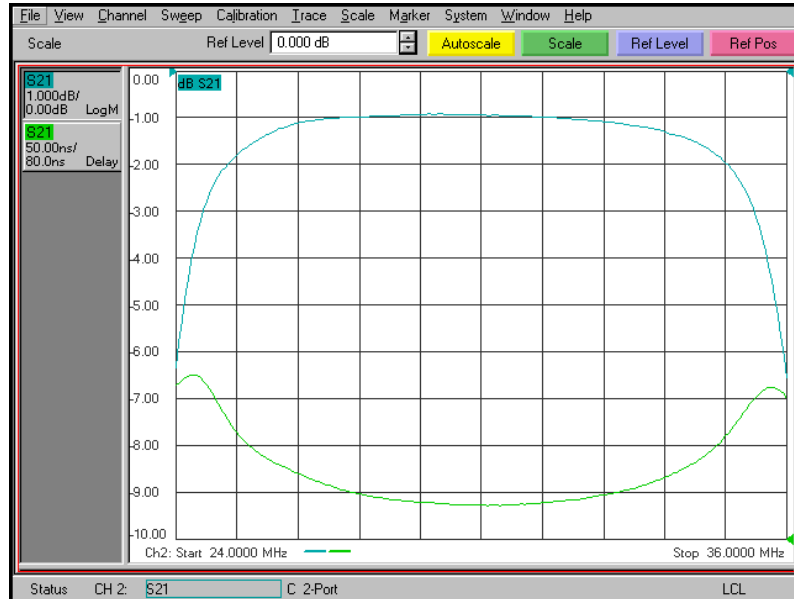


KR Electronics, Inc.
91 Avenel Street
Avenel, NJ 07001

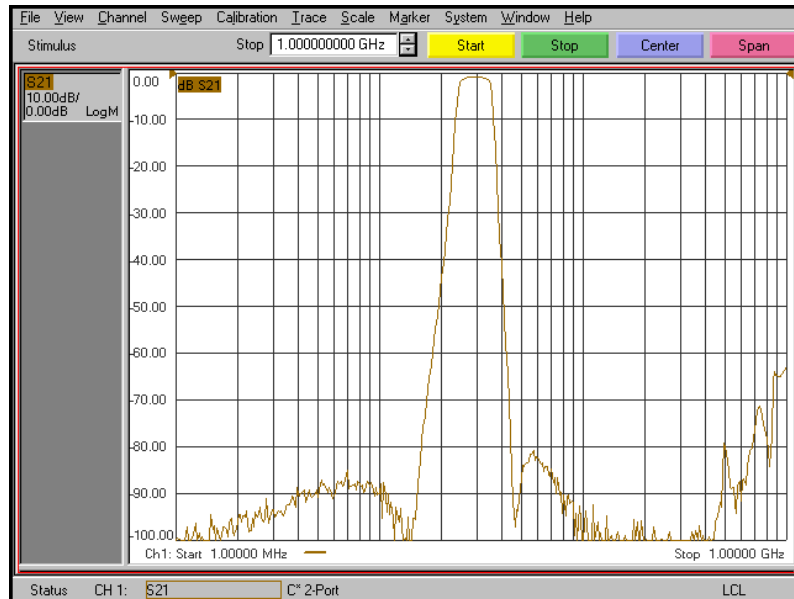
Web www.krfilters.com
Email sales@krfilters.com
Phone (732) 636-1900
Fax (732) 636-1982

Typical Performance

Passband Amplitude & Group Delay
(1 dB/div & 50 nsec/div)



Overall Amplitude
(10 dB/div)



KR Electronics, Inc.
91 Avenel Street
Avenel, NJ 07001

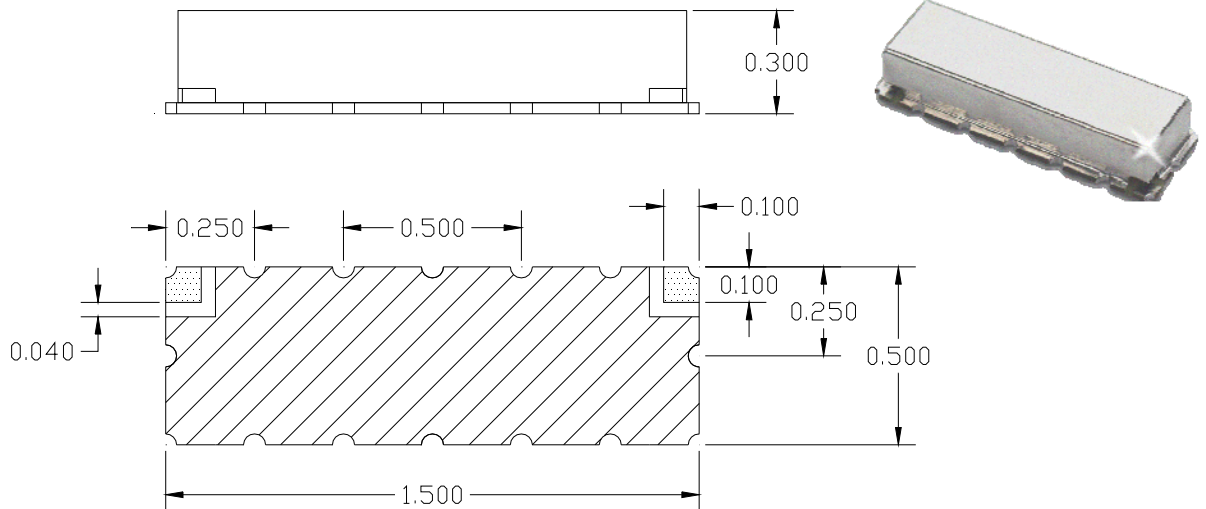
Web www.krfilters.com
Email sales@krfilters.com
Phone (732) 636-1900
Fax (732) 636-1982

KR Electronics 3123

Specifications

Parameter	Specification	
Filter type	Bandpass	
Center Frequency	30 MHz	
Insertion Loss	2 dB max	1 dB typical
3 dB Bandwidth	11 MHz \pm 1 MHz	
20 dB Bandwidth	14.7 MHz typical	
40 dB Bandwidth	19 MHz typical	
43 dB Bandwidth	24 MHz max	
60 dB Bandwidth	24 MHz typical	
Source and Load	50 Ω	

Physical Dimensions



Notes:

1. Surface mount package
2. Dimensions in inches
3. Max reflow temperature 230° C for 10 sec
4. If boards are cleaned after installation units must be completely dried
5. Also available in metal case with SMA connectors

KR Electronics, Inc.
91 Avenel Street
Avenel, NJ 07001

Web www.krfilters.com
Email sales@krfilters.com
Phone (732) 636-1900
Fax (732) 636-1982