

General Description

KR Electronics part number 3103 is a 375 MHz bandpass filter. The filter has a 450 MHz min 3 dB bandwidth. Other center frequencies and bandwidths are available. Please consult the factory.

Features

- 375 MHz Bandpass Filter
- 450 MHz min 3 dB Bandwidth
- 40 dB min Rejection to 1500 MHz
- 50 Ω Source and Load
- Surface Mount
- Also available with SMA connectors

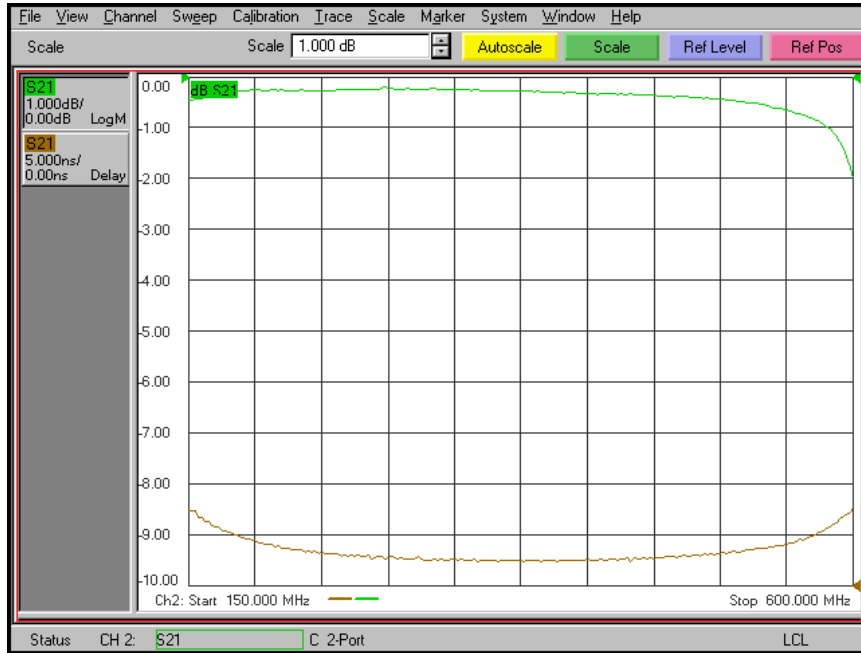
Typical Performance

Overall Response (10 dB/div)

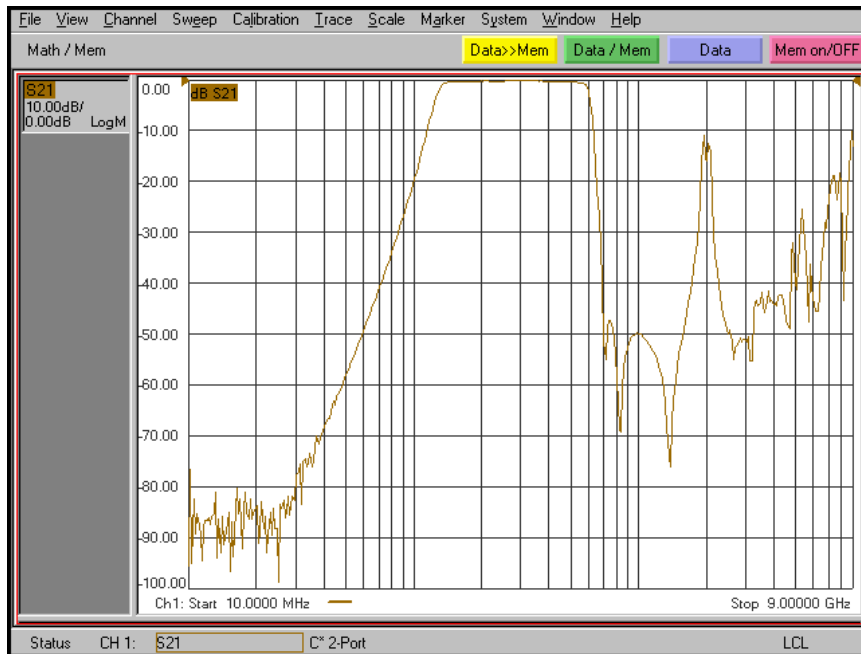


Typical Performance

Passband Amplitude & Group Delay (1 dB/div & 5 nsec/div)



Overall Response (10 dB/div)



KR Electronics, Inc.
91 Avenel Street
Avenel, NJ 07001

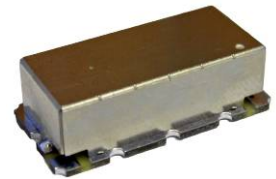
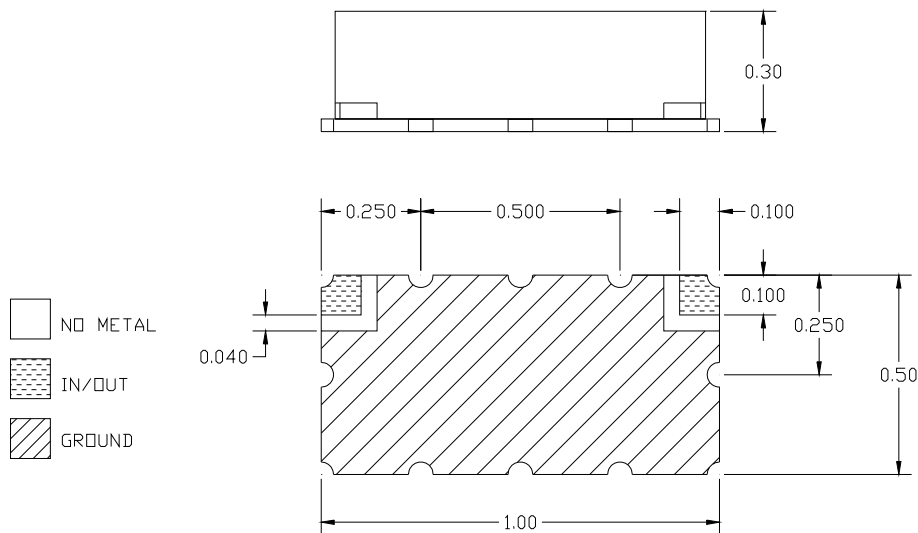
Web www.krfilters.com
Email sales@krfilters.com
Phone (732) 636-1900
Fax (732) 636-1982

KR Electronics, Inc. 3103

Specifications

Parameter	Specification	Notes
Filter type	Bandpass	
Center Frequency	375 MHz	
Insertion Loss at 375 MHz	1 dB max	.3 dB typical
3 dB Bandwidth	450 MHz min	
Rejection at 50 MHz	40 dB min	58 dB typical
Rejection at 700 MHz to 1500 MHz	40 dB min	50 dB typical
Source and Load	50 Ω	

Physical Dimensions



Notes:

1. Surface mount package — Metal cover
2. Dimensions in inches
3. Maximum reflow temperature is 230° C for 10 sec maximum.
4. If boards are cleaned after installation, dry units completely.

KR Electronics, Inc.
91 Avenel Street
Avenel, NJ 07001

Web www.krfilters.com
Email sales@krfilters.com
Phone (732) 636-1900
Fax (732) 636-1982