

KR Electronics, Inc.

General Description

KR Electronics part number 3099 is a 875 Hz active notch filter. The filter has a min 3 dB bandwidth of 400 Hz. Other frequencies are available. Please consult the factory.

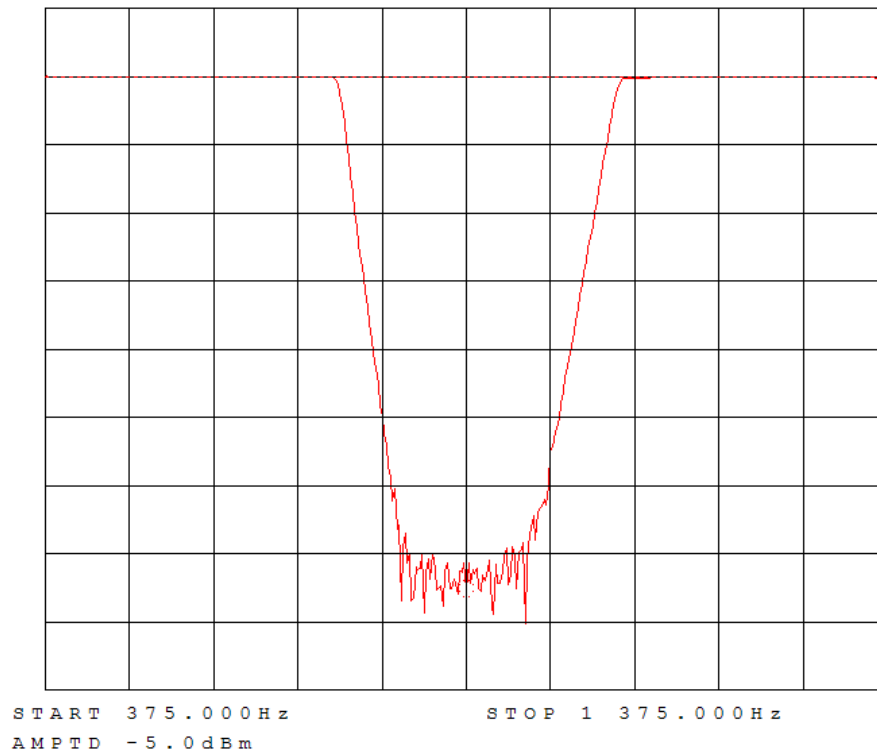
Features

- 875 Hz Active Notch Filter
- 400 Hz min 3 dB Bandwidth
- 200 Hz max 40 dB Bandwidth
- ± 18 Vdc Supply Voltage
- ± 6 Vpk-pk max Input
- BNC In/Out Connectors

Typical Performance

Overall Response (10 dB/div)

REF LEVEL / DIV MARKER 875.000Hz
0.000dB 10.000dB MAG(UDF) -75.074dB



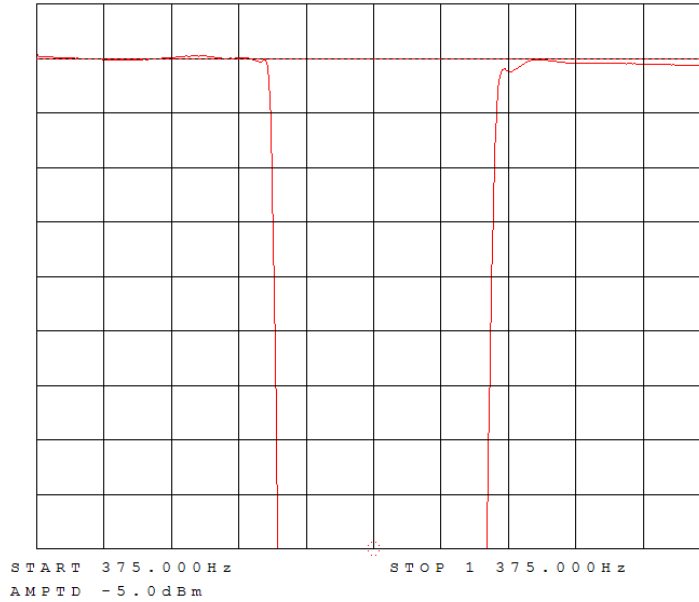
KR Electronics, Inc.
91 Avenel Street
Avenel, NJ 07001

Web www.krfilters.com
Email sales@krfilters.com
Phone (732) 636-1900
Fax (732) 636-1982

Typical Performance

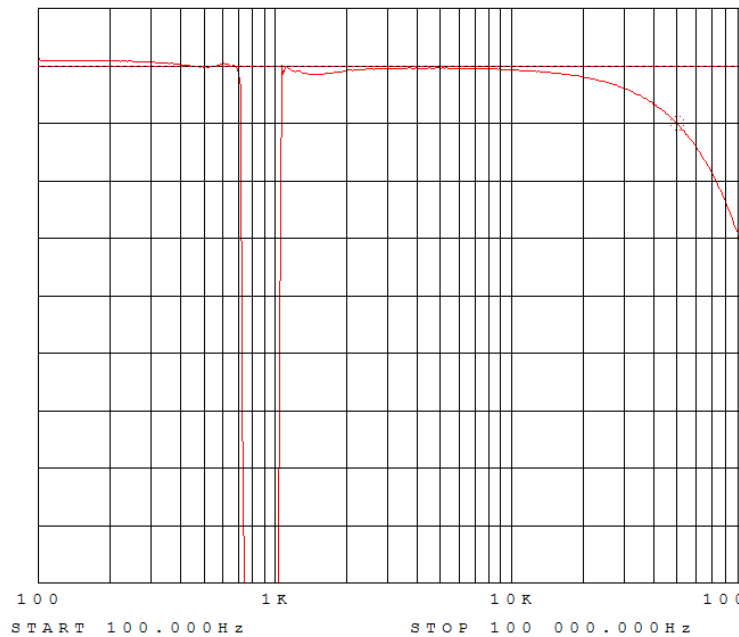
Passband Amplitude
(1 dB/div)

REF LEVEL / DIV MARKER 875.000Hz
0.000dB 1.000dB MAG(UDF) -75.136dB



Overall Response
(1 dB/div)

REF LEVEL / DIV MARKER 50 118.723Hz
0.000dB 1.000dB MAG(UDF) -0.999dB



KR Electronics, Inc.
91 Avenel Street
Avenel, NJ 07001

Web
Email
Phone
Fax

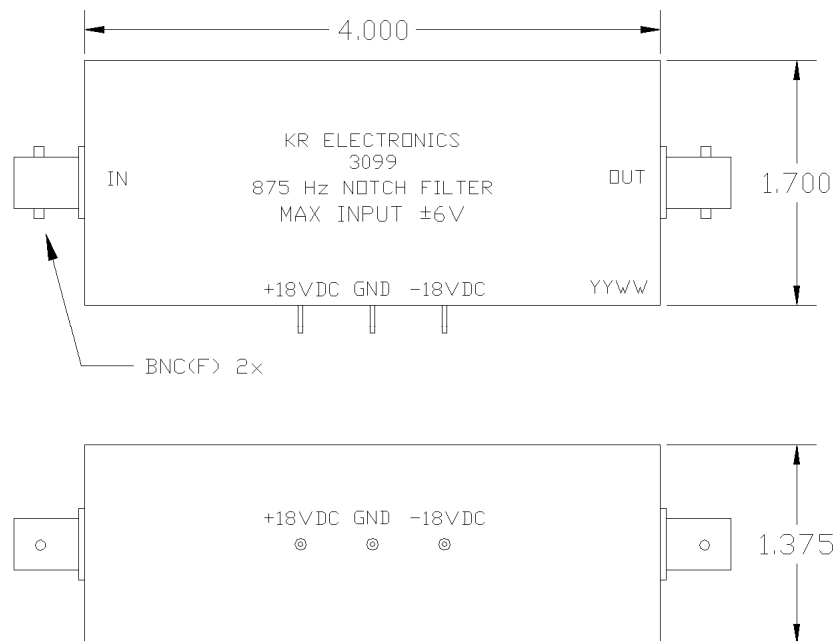
www.krfilters.com
sales@krfilters.com
(732) 636-1900
(732) 636-1982

KR Electronics 3099

Specifications

Parameter	Specification	Notes
Filter type	Active Notch	
Center Frequency (Fc)	875 Hz	
Insertion Loss at 675 Hz & 1075 Hz	3 dB max	< 1 dB typical
Insertion Loss at 775 Hz & 975 Hz	40 dB min	>50 dB typical
Maximum Input Voltage	±6 V pk-pk	
Supply Voltage	±18 Vdc max	
DC Offset	100 mv typical	
Gain	0 dB	

Physical Dimensions



Notes:

1. Dimensions in inches
2. Rectangular case
3. Other case options available

KR Electronics, Inc.
 91 Avenel Street
 Avenel, NJ 07001

Web www.krfilters.com
 Email sales@krfilters.com
 Phone (732) 636-1900
 Fax (732) 636-1982