

General Description

KR Electronics part number 3093-SMA is a 350 MHz bandpass filter. The filter has a 1 dB bandwidth of 100 MHz minimum and 50 dB bandwidth of 200 MHz maximum. Other center frequencies and bandwidths are available. Please consult the factory.

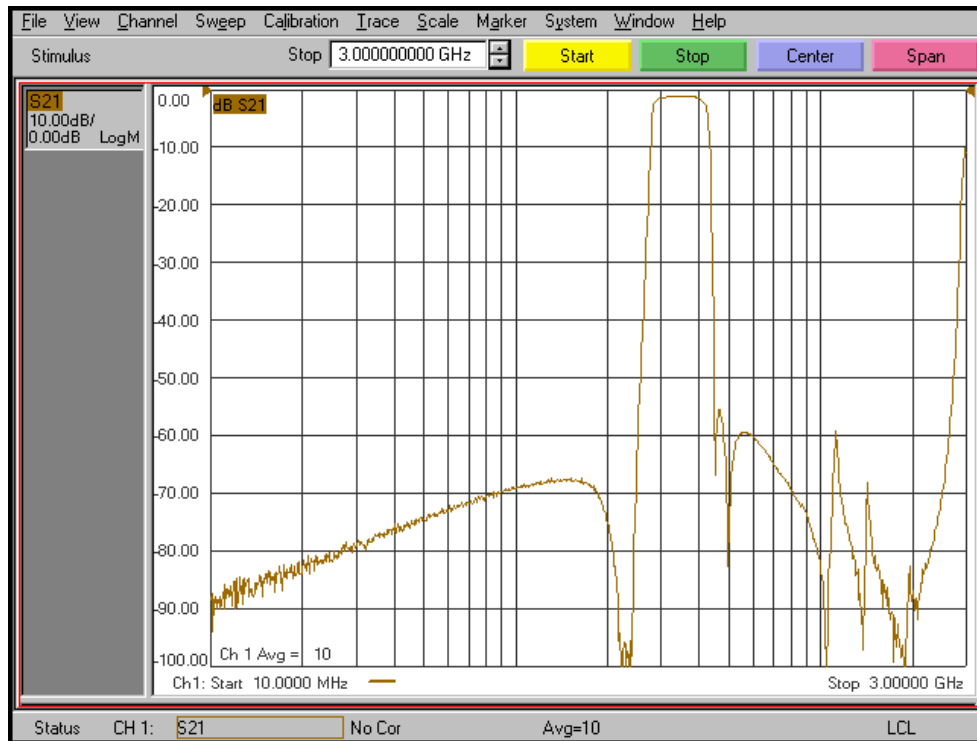
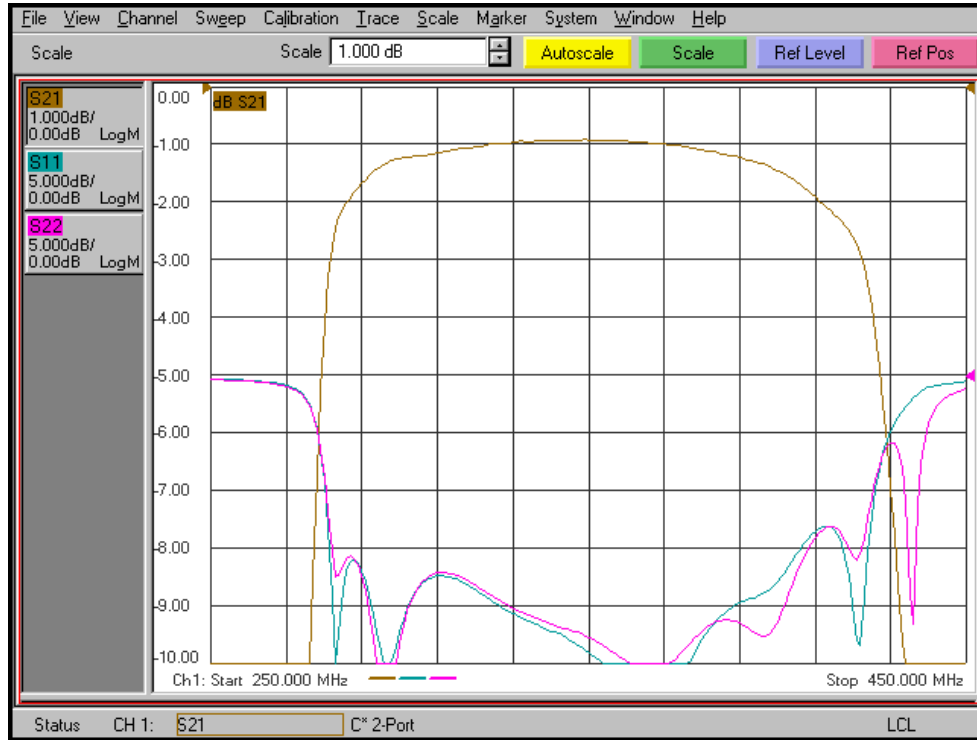
Features

- 350 MHz Bandpass Filter
- 1 dB Bandwidth 100 MHz min
- 50 dB Bandwidth 200 MHz max
- 50 Ω Source and Load
- SMA Connectors
- Also available in surface mount

Typical Performance



KR Electronics 3093-SMA



KR Electronics, Inc.
 91 Avenel Street
 Avenel, NJ 07001

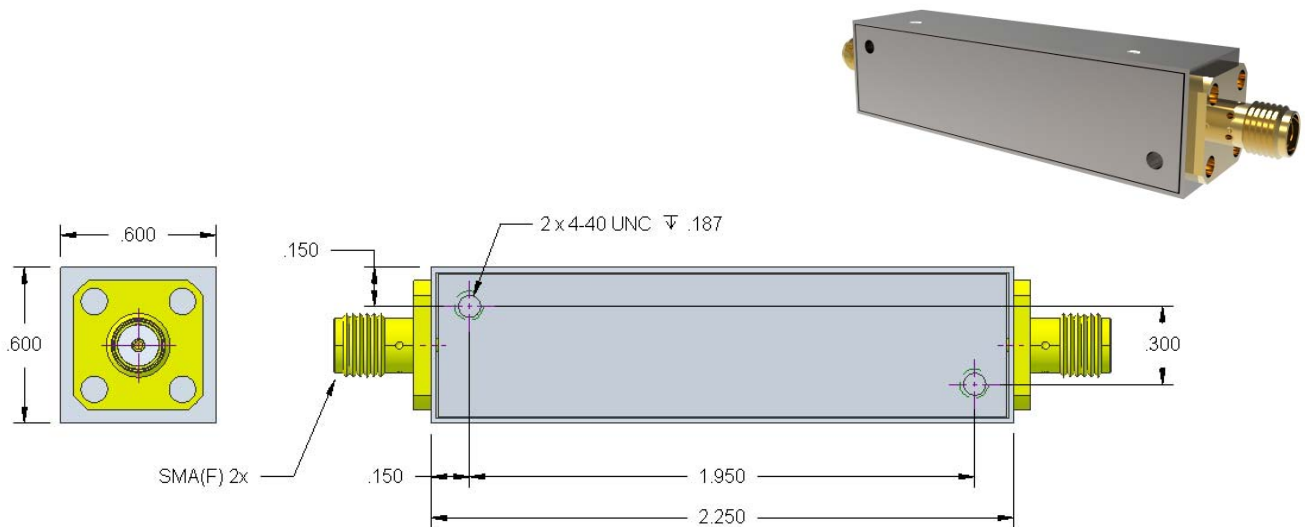
Web www.krfilters.com
 Email sales@krfilters.com
 Phone (732) 636-1900
 Fax (732) 636-1982

KR Electronics 3093-SMA

Specifications

Parameter	Specification	Notes
Filter type	Bandpass	
Center Frequency	350 MHz	
Insertion Loss	3 dB max	1 dB typical
1 dB Bandwidth	100 MHz min	300 MHz to 400 MHz
50 dB Bandwidth	200 MHz max	250 MHz & 450 MHz
Source and Load	50 Ω	

Physical Dimensions



Notes:

1. Dimensions in inches
2. Metal Case
3. SMA(F) Connectors

KR Electronics, Inc.
91 Avenel Street
Avenel, NJ 07001

Web www.krfilters.com
Email sales@krfilters.com
Phone (732) 636-1900
Fax (732) 636-1982