

General Description

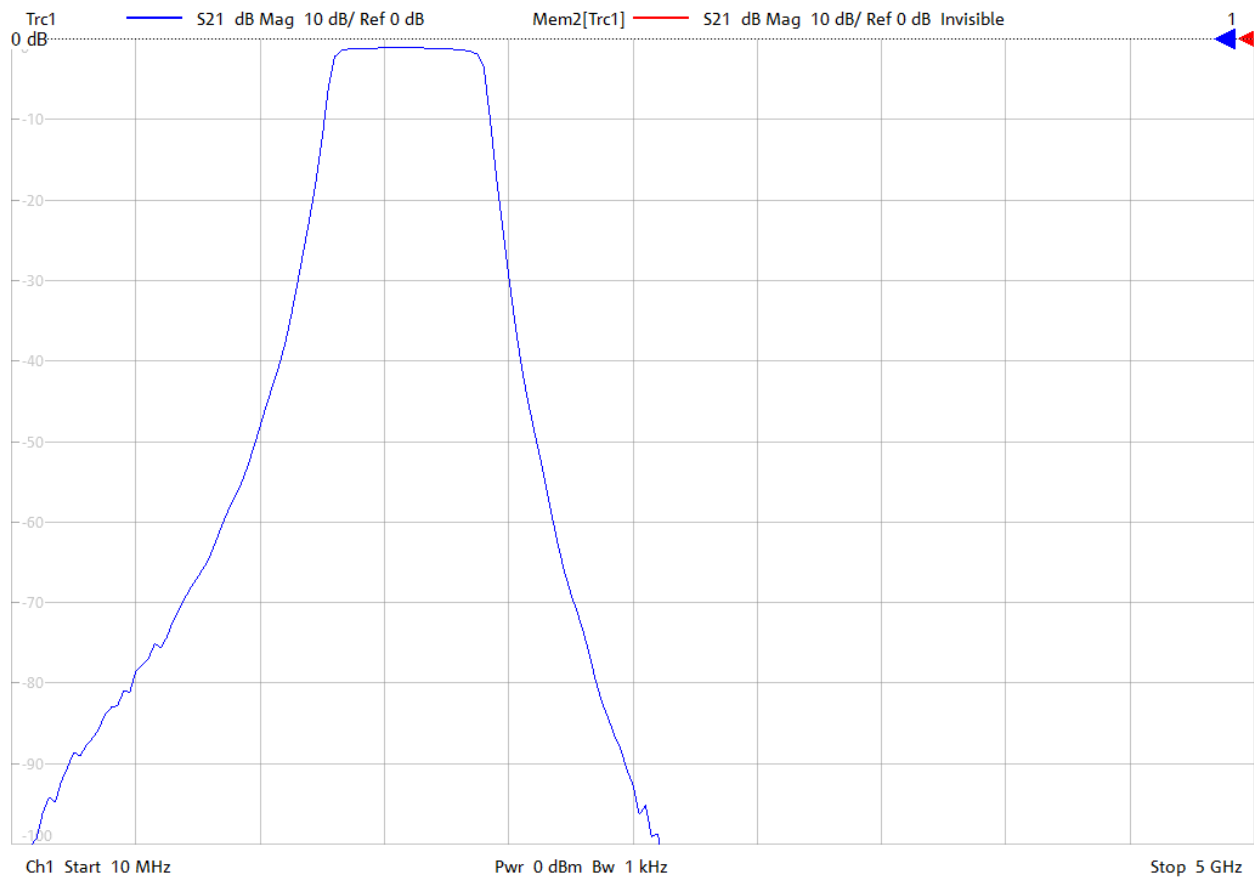
KR Electronics part number 3078-1600 is a 1600 MHz band-pass filter. The filter has a 3 dB bandwidth of 500 MHz min. Other center frequencies and bandwidths are available. Please consult the factory.

Features

- 1600 MHz Bandpass Filter
- 500 MHz min 3 dB Bandwidth
- 1346 MHz typical 60 dB Bandwidth
- High Stopband Rejection
- 50 Ω Source and Load
- SMA Connectors

Typical Performance

Overall Response (10 dB/div)

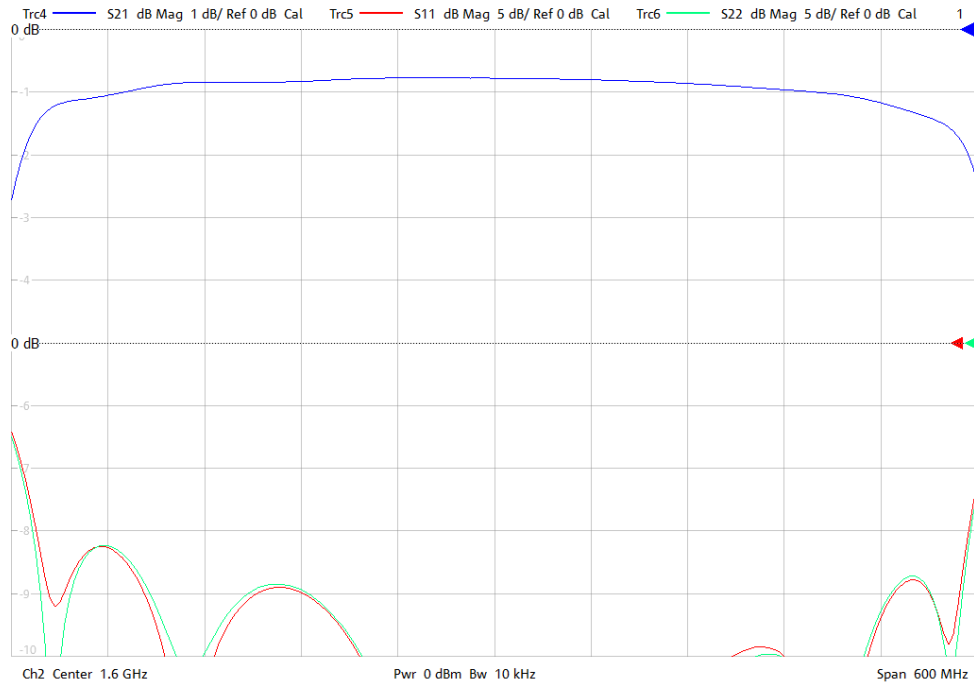


KR Electronics, Inc.
91 Avenel Street
Avenel, NJ 07001

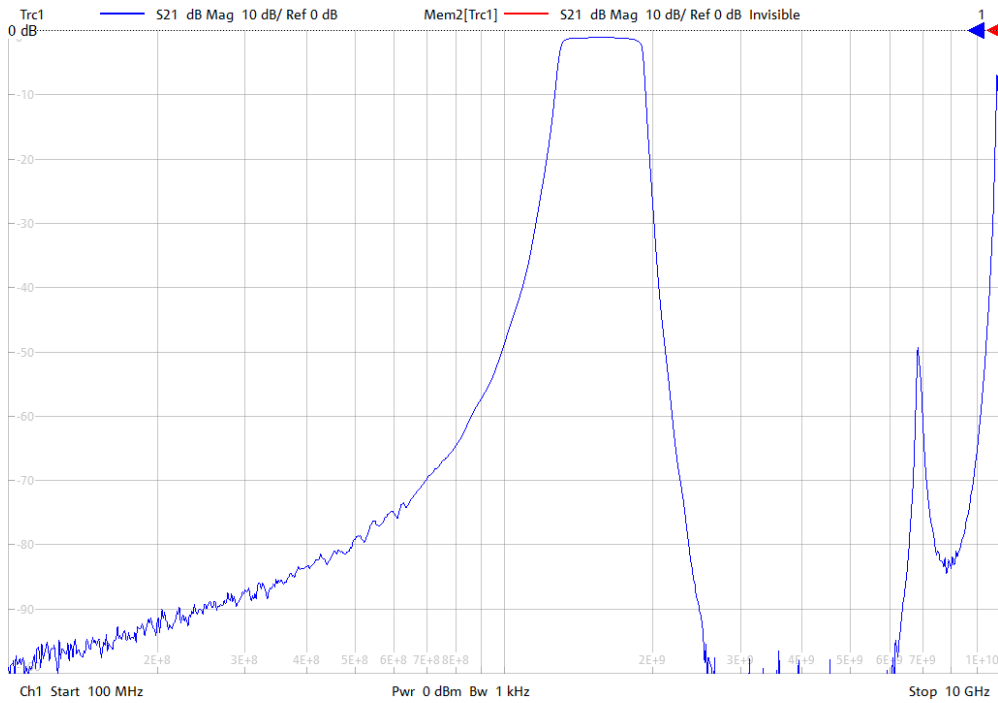
Web www.krfilters.com
Email sales@krfilters.com
Phone (732) 636-1900
Fax (732) 636-1982

KR Electronics 3078-1600

Passband Amplitude & Return Loss (1 dB/div & 5 dB/div)



Overall Response (10 dB/div)



KR Electronics, Inc.
91 Avenel Street
Avenel, NJ 07001

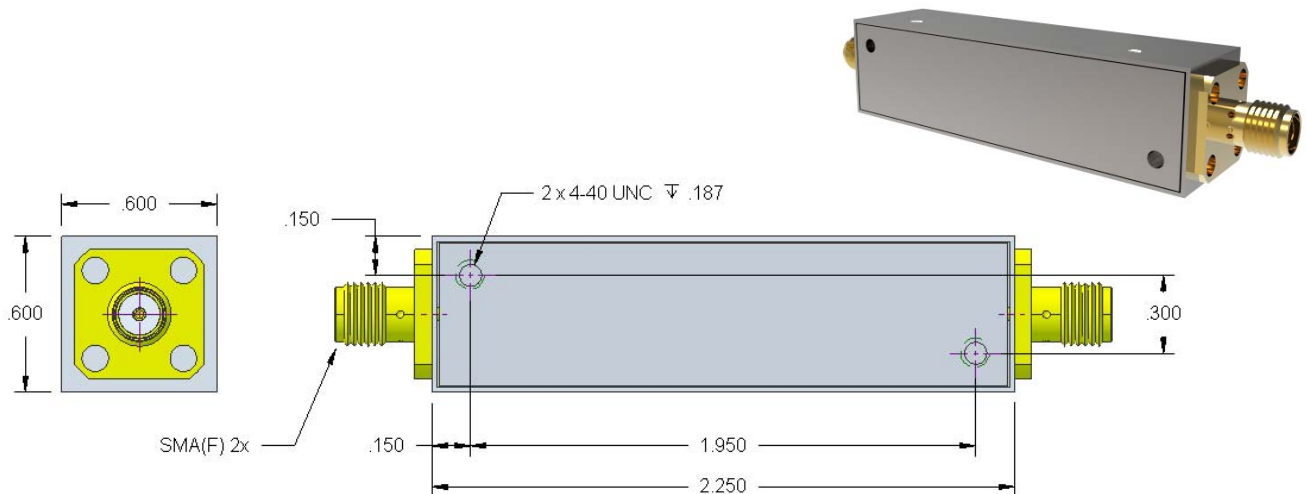
Web www.krfilters.com
Email sales@krfilters.com
Phone (732) 636-1900
Fax (732) 636-1982

KR Electronics 3078-1600

Specifications

Parameter	Specification	
Filter type	Bandpass	
Center Frequency	1600 MHz	
Insertion Loss	2 dBa max	< 1 dBa typical
1 dBc Bandwidth	575 MHz typical	
3 dBc Bandwidth	500 MHz min	600 MHz typical
40 dBc Bandwidth	986 MHz typical	
60 dBc Bandwidth	1346 MHz typical	
80 dBc Bandwidth	1900 MHz typical	
Source and Load	50 Ω	

Physical Dimensions



Notes:

1. Dimensions in inches
2. Rectangular case

KR Electronics, Inc.
91 Avenel Street
Avenel, NJ 07001

Web www.krfilters.com
Email sales@krfilters.com
Phone (732) 636-1900
Fax (732) 636-1982