

# KR Electronics, Inc.

## General Description

KR Electronics part number 3070 is a 200 MHz group delay equalized lowpass filter. Other frequencies are available. Please consult the factory.

### Features

- 200 MHz minimum 3 dB BW
- Sharp Transition to the Stopband
- Group Delay Equalized
- 50  $\Omega$  Source and Load
- Surface Mount

## Typical Performance

### Overall Response (10 dB/div)

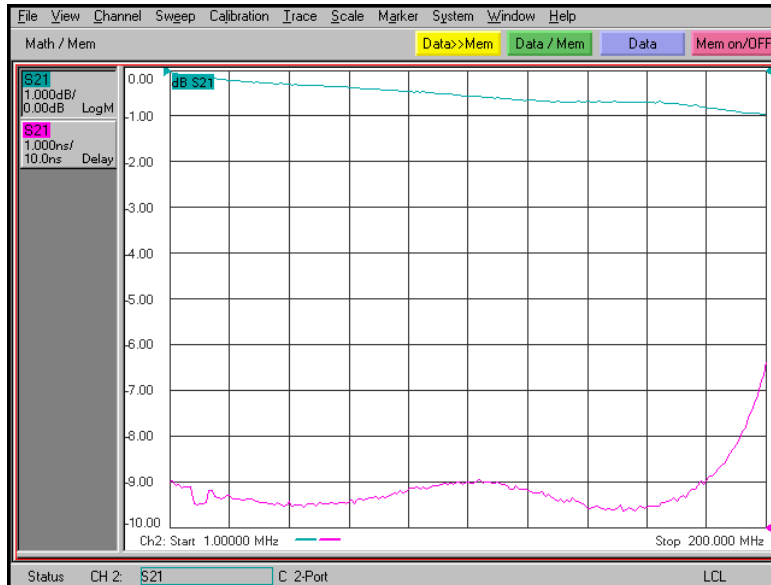


KR Electronics, Inc.  
91 Avenel Street  
Avenel, NJ 07001

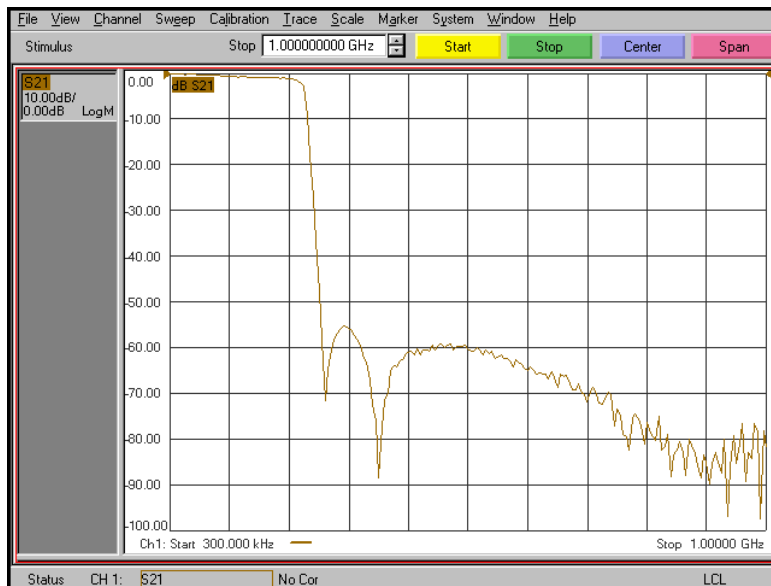
Web [www.krfilters.com](http://www.krfilters.com)  
Email [sales@krfilters.com](mailto:sales@krfilters.com)  
Phone (732) 636-1900  
Fax (732) 636-1982

## Typical Performance

### Passband Amplitude & Group Delay (1 dB/div & 1 nsec/div)



### Overall Response (10 dB/div)

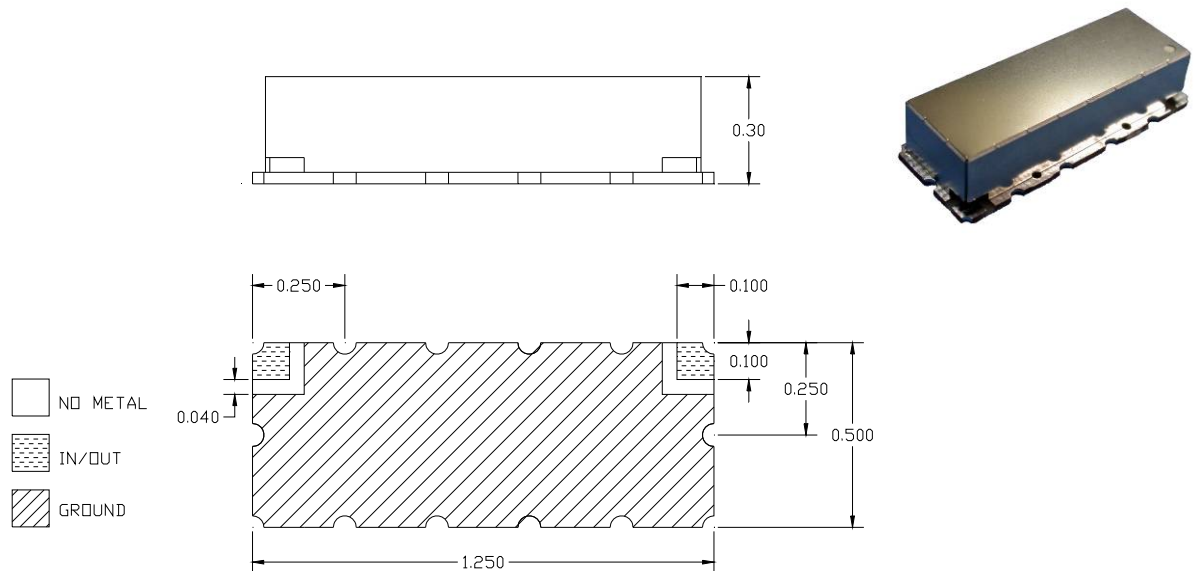


# KR Electronics 3070

## Specifications

Parameter	Specification	
Filter type	Lowpass	
End of Passband < 3 dB	200 MHz	Typical 1 dB
Typical 3 dB Frequency	225 MHz	
Rejection 250 MHz to 1 GHz	40 dB min	
Group Delay Variation to 175 MHz	1 nsec typical	
Source and Load	50 Ω	

## Physical Dimensions



### Notes:

1. Surface mount package
2. Dimensions in inches
3. Max reflow temperature 209° C for 10 sec
4. If boards are cleaned after installation units must be completely dried
5. Also available in SMA connectorized package