

# KR Electronics, Inc.

## General Description

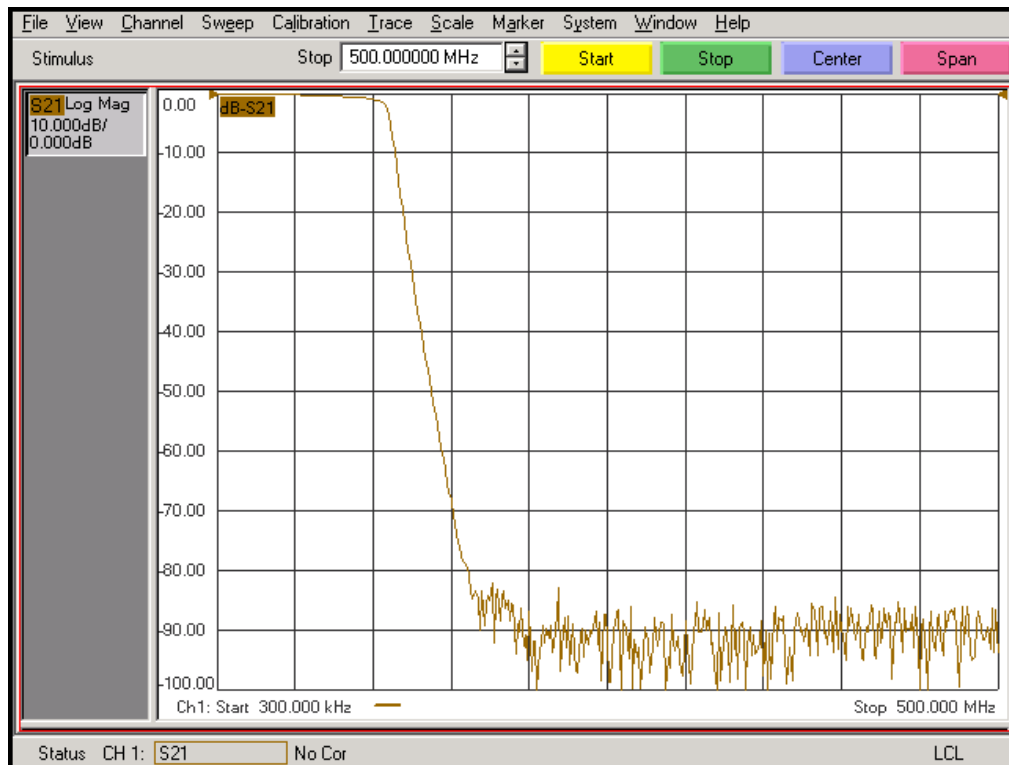
KR Electronics part number 3025 is a 90 MHz lowpass filter. The filter attains over 60 dB rejection by 160 MHz. Other bandwidths available. Please consult the factory.

### Features

- 90 MHz Lowpass
- Selective Elliptic Response
- Over 60 dB Stopband Rejection
- 50  $\Omega$  Source and Load
- Surface Mount
- Also available with SMA connectors

## Typical Performance

### Overall Response (10 dB/div)

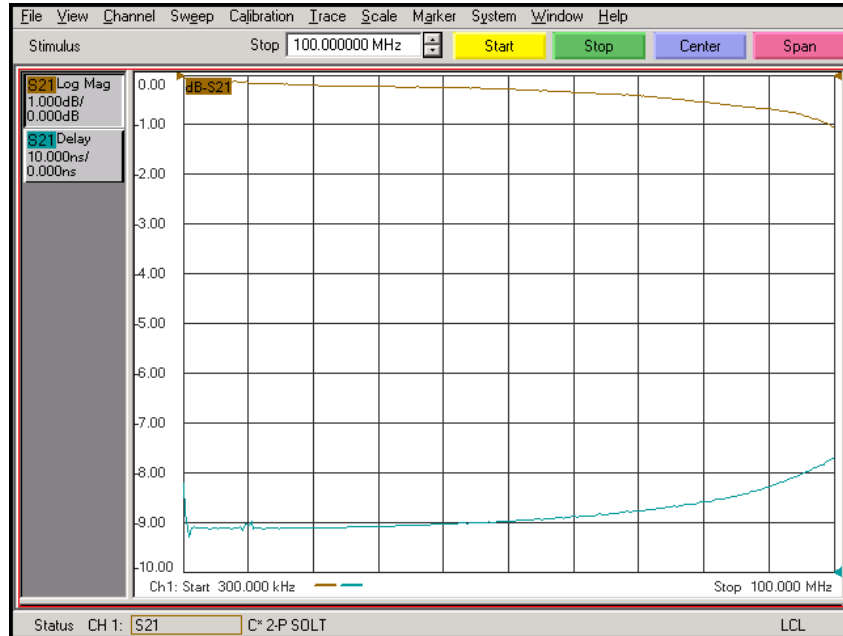


KR Electronics, Inc.  
91 Avenel Street  
Avenel, NJ 07001

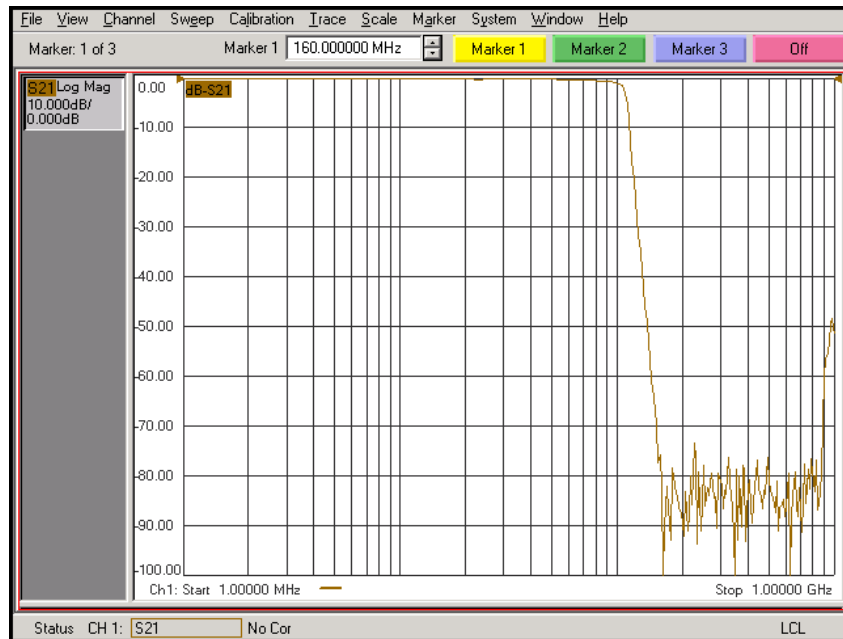
Web [www.krfilters.com](http://www.krfilters.com)  
Email [sales@krfilters.com](mailto:sales@krfilters.com)  
Phone (732) 636-1900  
Fax (732) 636-1982

## Typical Performance

### Passband Amplitude & Group Delay (1 dB/div 10 nsec/div)



### Overall Response (10 dB/div)



KR Electronics, Inc.  
91 Avenel Street  
Avenel, NJ 07001

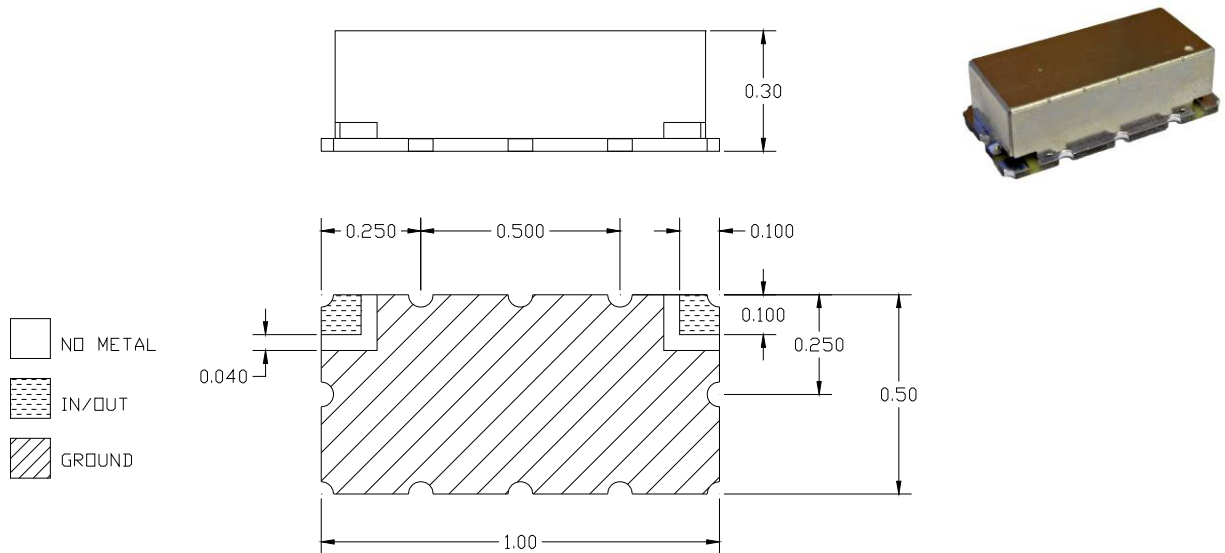
Web [www.krfilters.com](http://www.krfilters.com)  
Email [sales@krfilters.com](mailto:sales@krfilters.com)  
Phone (732) 636-1900  
Fax (732) 636-1982

# KR Electronics 3025

## Specifications

Parameter	Specification
Filter type	Lowpas
End of Passband (1 dB max)	90 MHz
Start of Stopband (60 dB min)	160 MHz
Source and Load	50 $\Omega$

## Physical Dimensions



### Notes:

1. Surface mount package
2. Dimensions in inches
3. Max reflow temperature 209° C for 10 sec
4. If boards are cleaned after installation units must be completely dried

KR Electronics, Inc.  
91 Avenel Street  
Avenel, NJ 07001

Web [www.krfilters.com](http://www.krfilters.com)  
Email [sales@krfilters.com](mailto:sales@krfilters.com)  
Phone (732) 636-1900  
Fax (732) 636-1982