

KR Electronics, Inc.

General Description

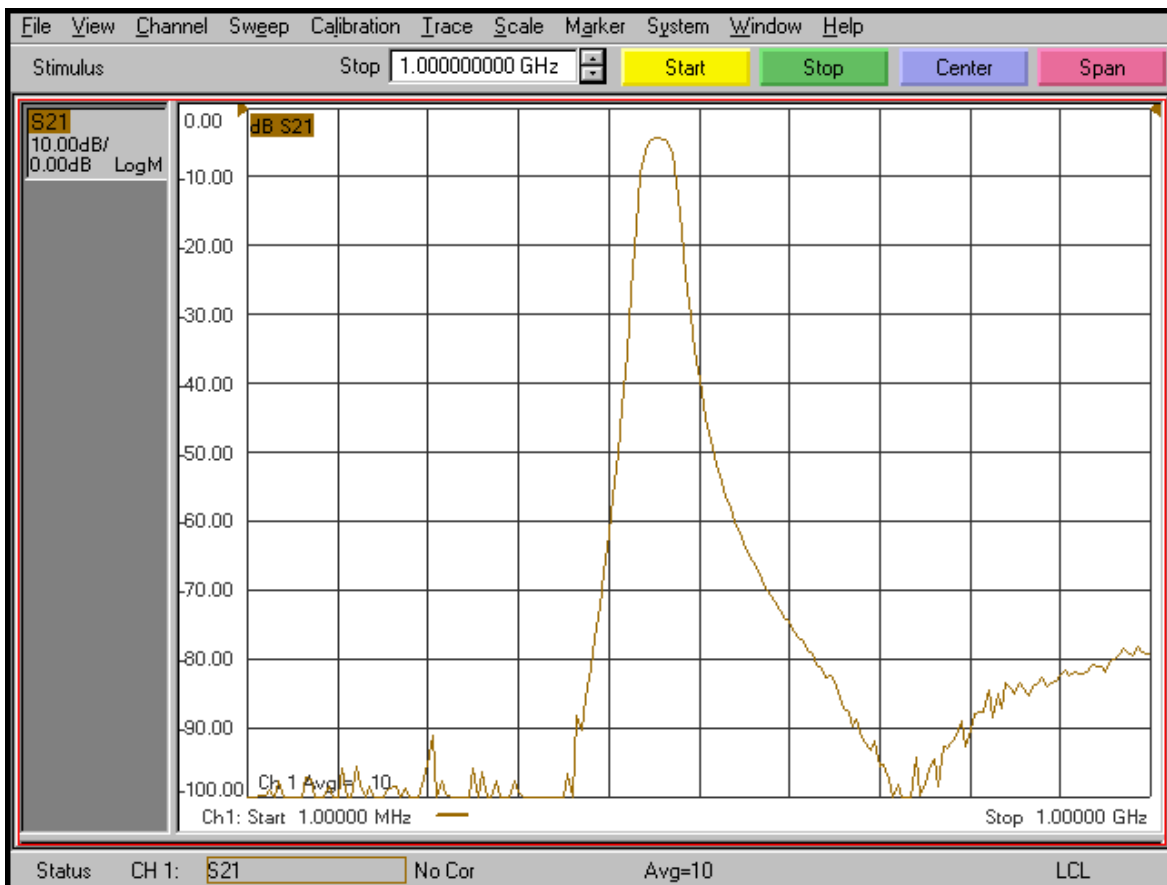
KR Electronics part number 3017-SMA is a 455 MHz bandpass filter. The filter has a minimum 3 dB bandwidth of 30 MHz. Other center frequencies and bandwidths available. Please consult the factory.

Features

- 455 MHz Bandpass Filter
- 30 MHz min 3 dB Bandwidth
- 50 Ω Source and Load
- SMA Connectors
- Surface Mount also available

Typical Performance

Overall Response (10 dB/div)

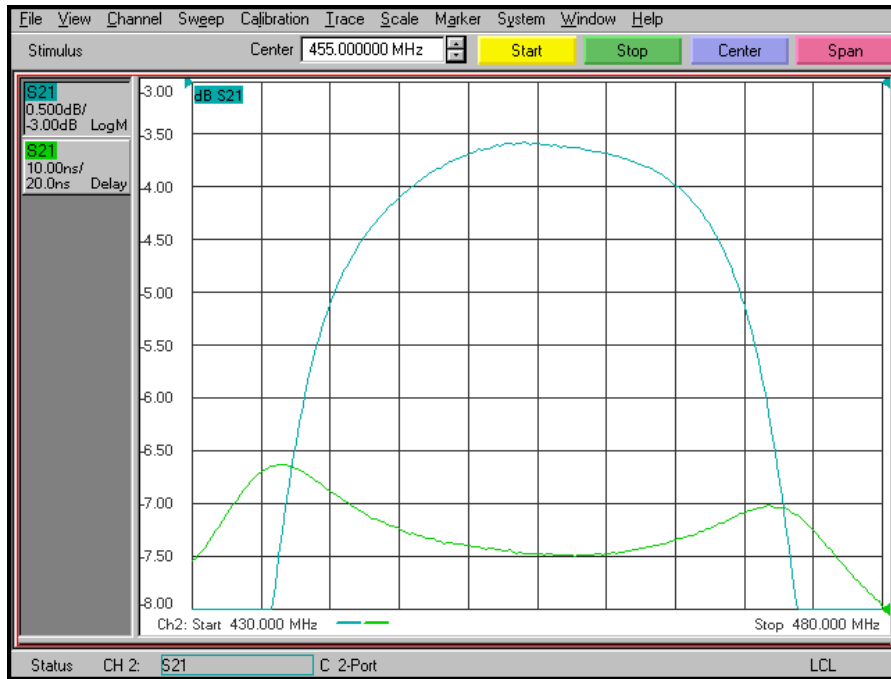


KR Electronics, Inc.
91 Avenel Street
Avenel, NJ 07001

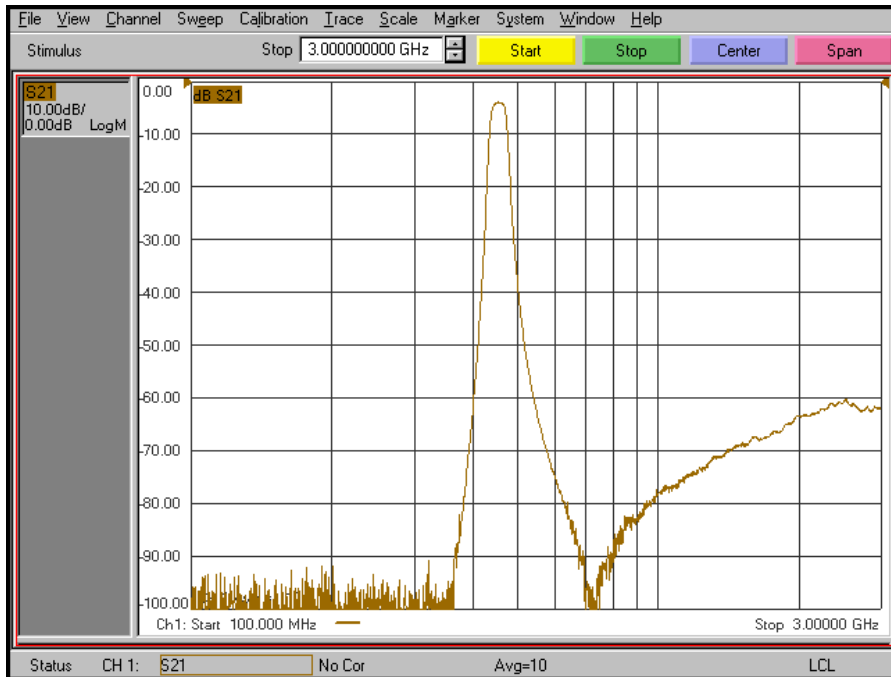
Web www.krfilters.com
Email sales@krfilters.com
Phone (732) 636-1900
Fax (732) 636-1982

KR Electronics 3017-SMA

Passband Amplitude & Group Delay (1 dB/div & 10 nsec/div)



Overall Response (10 dB/div)



KR Electronics, Inc.
91 Avenel Street
Avenel, NJ 07001

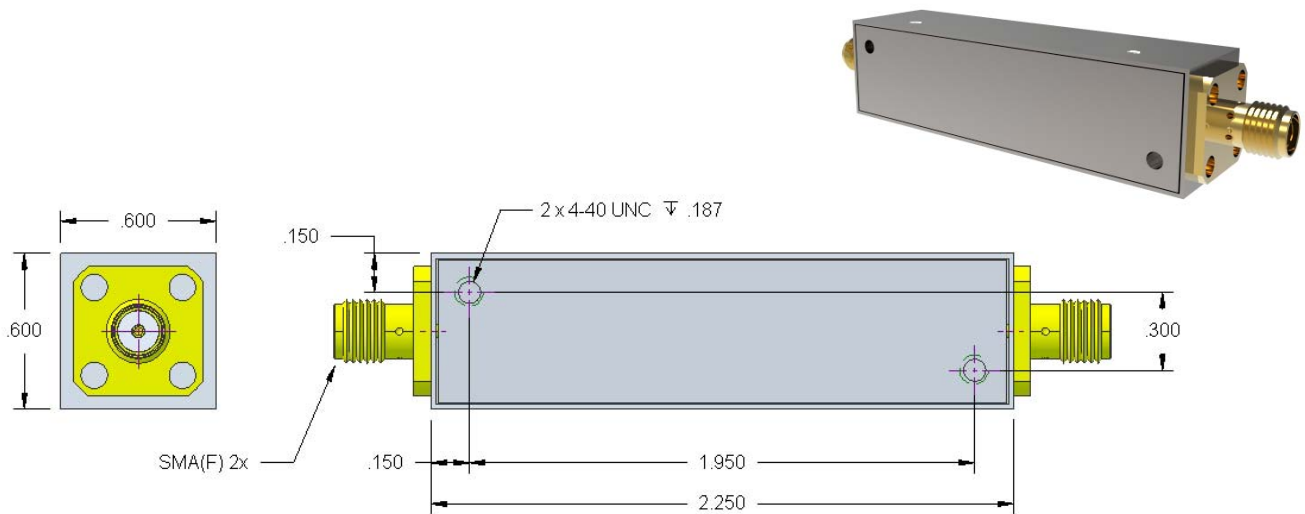
Web www.krfilters.com
Email sales@krfilters.com
Phone (732) 636-1900
Fax (732) 636-1982

KR Electronics 3017-SMA

Specifications

Parameter	Specification
Filter type	Bandpass
Center Frequency	455 MHz
Insertion Loss	4 dBa max
3 dBc Bandwidth	30 MHz min
20 dBc Bandwidth	59 MHz typical
40 dBc Bandwidth	94 MHz typical
60 dBc Bandwidth	160 MHz typical
Source and Load	50 Ω

Physical Dimensions



Notes:

1. Dimensions in inches
2. Rectangular case
3. Also available in a surface mount package

KR Electronics, Inc.
91 Avenel Street
Avenel, NJ 07001

Web www.krfilters.com
Email sales@krfilters.com
Phone (732) 636-1900
Fax (732) 636-1982