

General Description

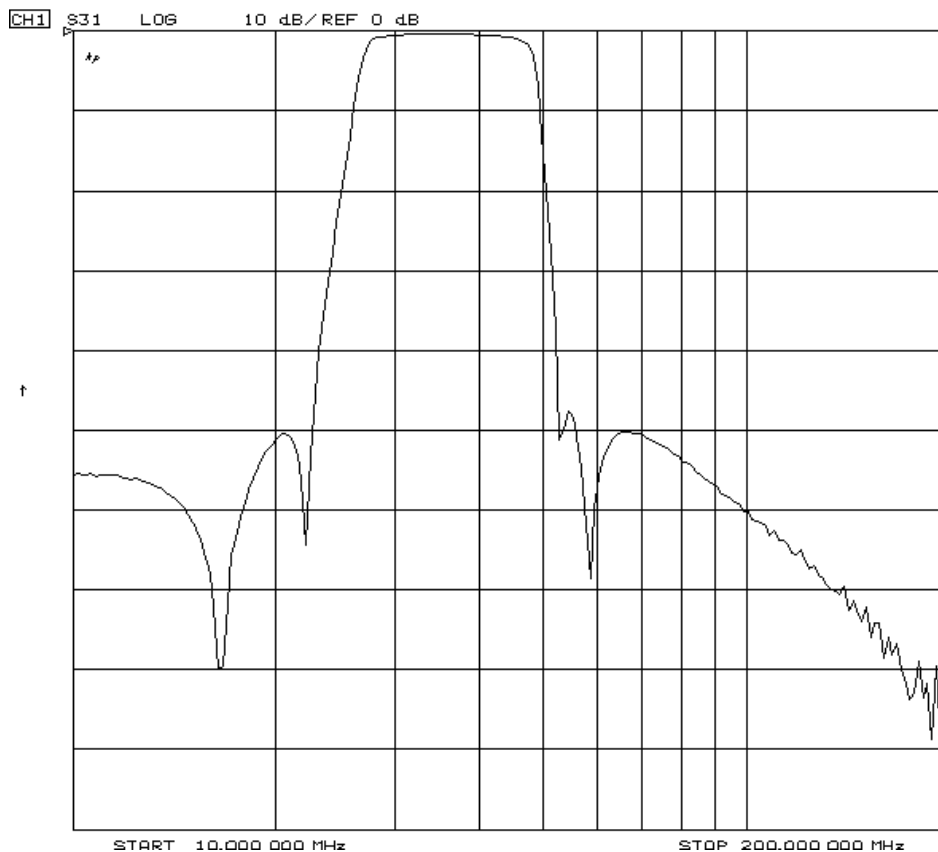
KR Electronics part number 3010 is a 37.5 MHz bandpass filter. The filter has a minimum 3 dB bandwidth of 20 MHz. Other bandwidths and center frequencies are available. Please consult the factory.

Features

- 37.5 MHz Bandpass Filter
- 20 MHz min 3 dB Bandwidth
- Elliptic Response
- 50 Ω Source and Load
- Surface Mount
- Also available with SMA connectors

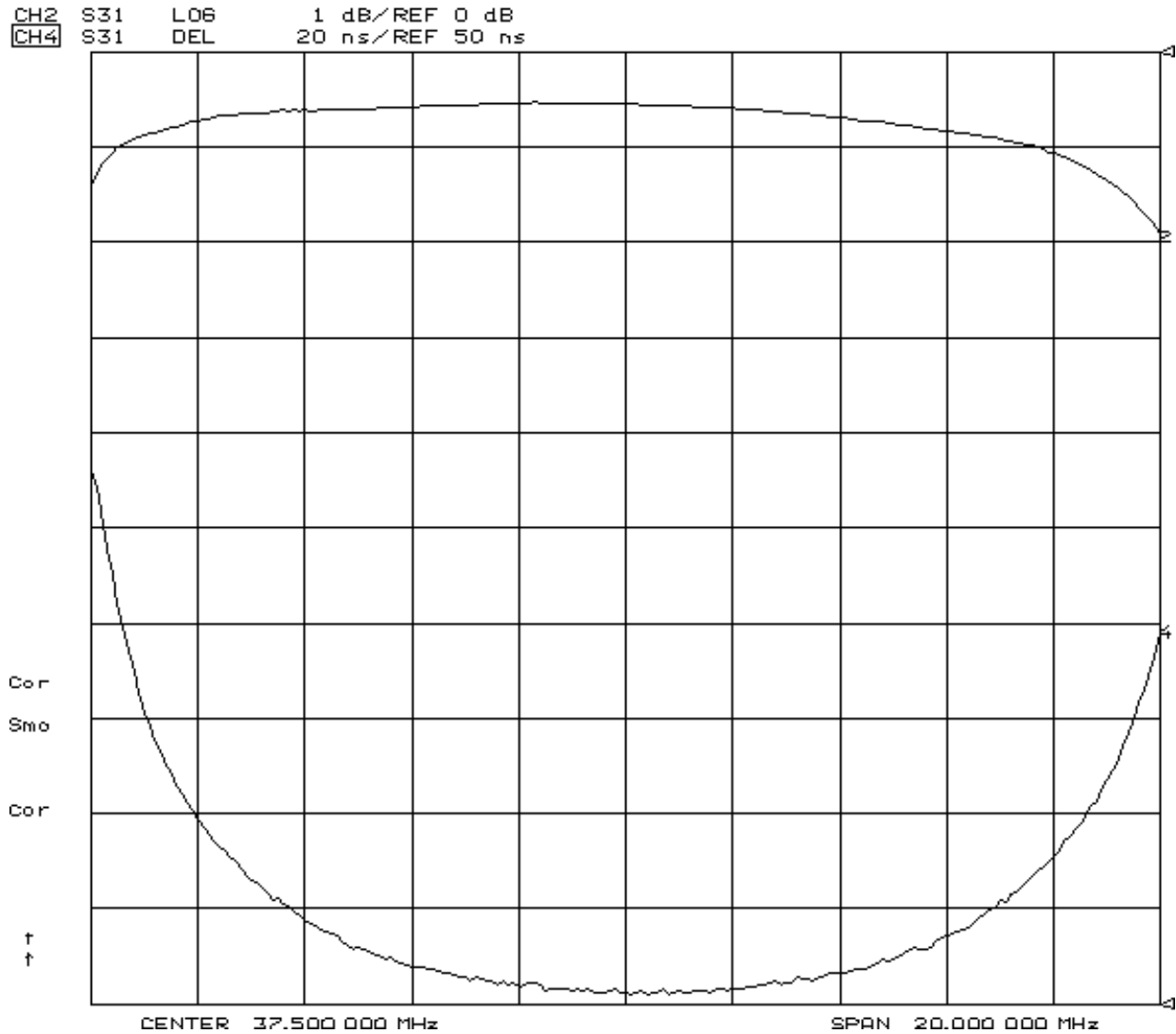
Typical Performance

Overall Response
(10 dB/div)



Typical Performance

Effective Passband Amplitude & Group Delay (1 dB/div & 20 nsec/div)

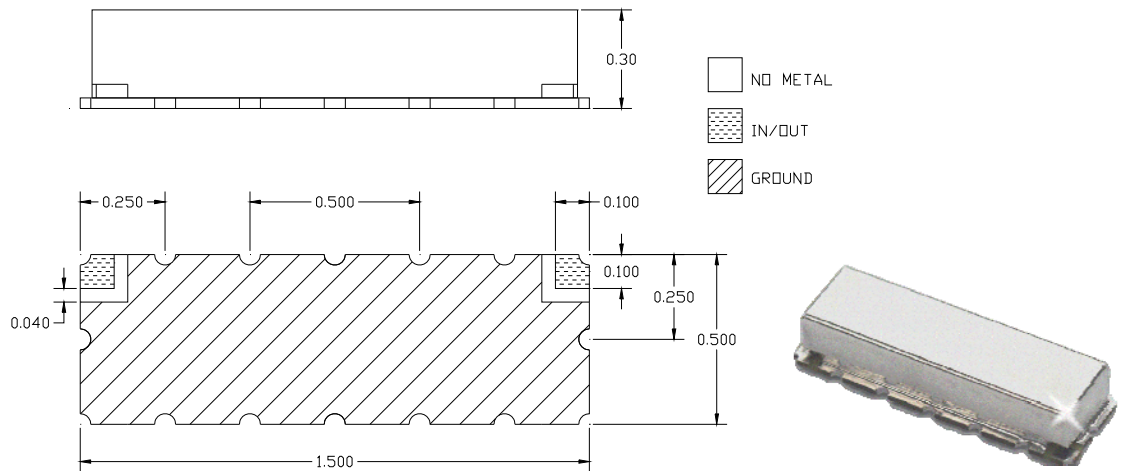


KR Electronics 3010

Specifications

Parameter	Specification	Notes
Filter type	Bandpass	
Center Frequency	37.5 MHz	
Insertion Loss at 37.5 MHz	1 dB max	
3 dB Bandwidth	20 MHz min	
Rejection at 22.5 MHz & 52.5 MHz	40 dB min	
Source and Load	50 Ω	

Physical Dimensions



Notes:

1. Surface mount package, metal cover
2. Dimensions in inches
3. Max reflow temperature 209° C for 10 sec
4. If boards are cleaned after installation units must be completely dried
5. Also available in metal case with SMA connectors

KR Electronics, Inc.
91 Avenel Street
Avenel, NJ 07001

Web www.krfilters.com
Email sales@krfilters.com
Phone (732) 636-1900
Fax (732) 636-1982