

## General Description

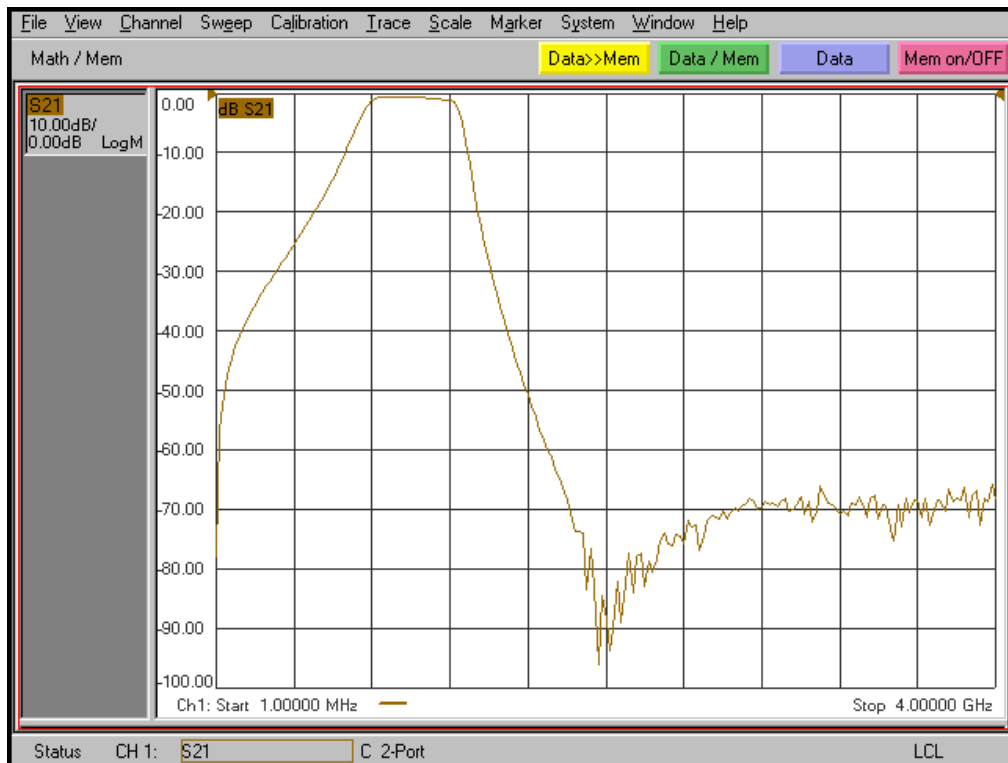
KR Electronics part number 2949-SMA is a 1000 MHz bandpass filter. The filter has a 3 dB bandwidth of 500 MHz. Other center frequencies and bandwidths are available. Please consult the factory.

## Features

- 1000 MHz Bandpass Filter
- 500 MHz 3 dB Bandwidth
- 50  $\Omega$  Source and Load
- SMA Connectors
- Surface mount available

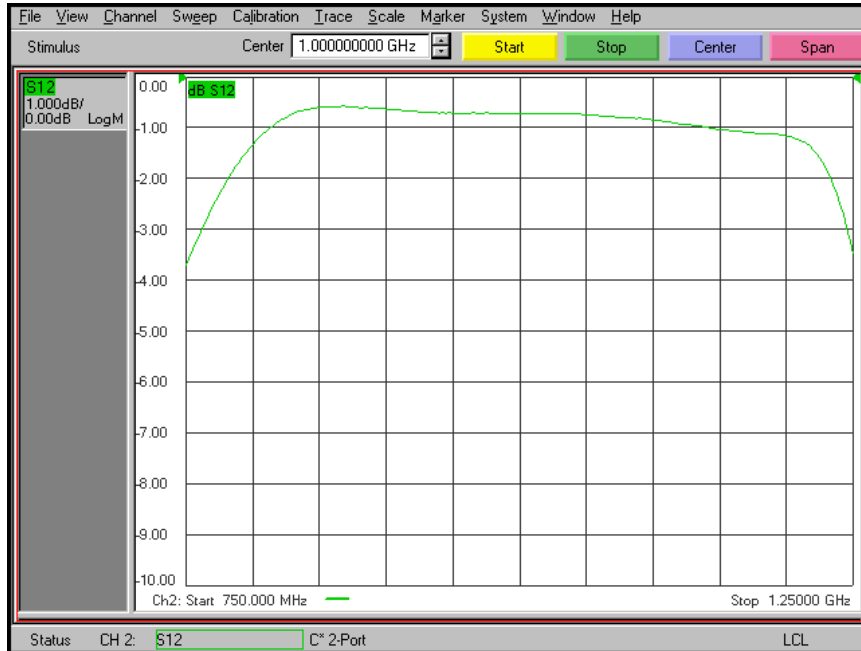
## Typical Performance

### Overall Response (10 dB/div)

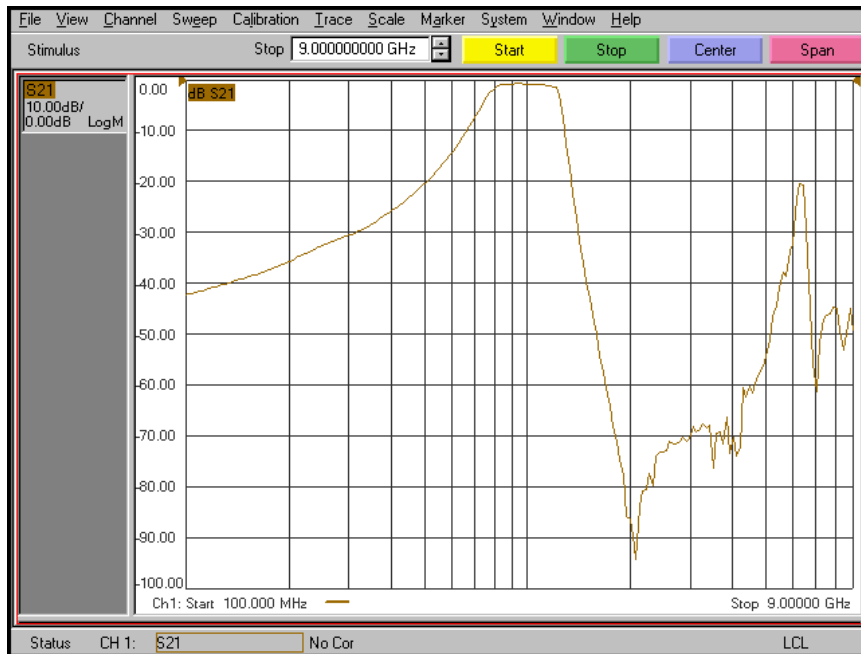


## Typical Performance

### Passband Amplitude (1 dB/div)



### Overall Response (10 dB/div)



KR Electronics, Inc.  
91 Avenel Street  
Avenel, NJ 07001

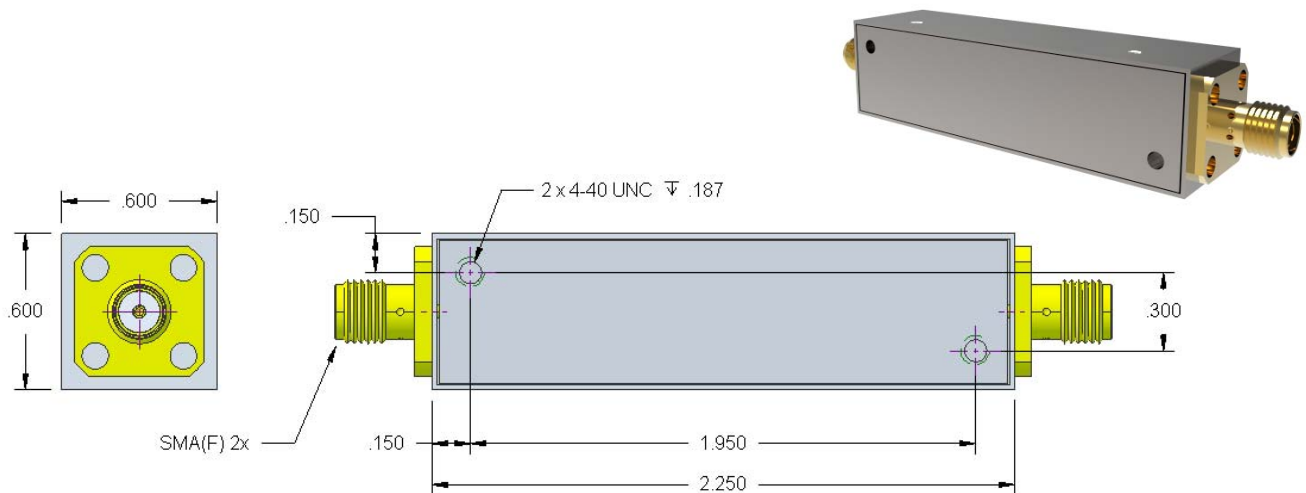
Web [www.krfilters.com](http://www.krfilters.com)  
Email [sales@krfilters.com](mailto:sales@krfilters.com)  
Phone (732) 636-1900  
Fax (732) 636-1982

# KR Electronics 2949-SMA

## Specifications

Parameter	Specification	Notes
Filter type	Bandpass	
Center Frequency Fc	1000 MHz	
Insertion Loss at Fc	1.5 dBa max	0.75 dBa typical
3 dBc Bandwidth	500 MHz ±10%	
20 dBc Bandwidth	850 MHz typical	
40 dBc Bandwidth	1380 MHz typical	
Source and Load	50 Ω	

## Physical Dimensions



### Notes:

1. Dimensions in inches
2. Rectangular case
3. Also available in surface mount package 1" x 0.5" x 0.3" (see part number 2949)

KR Electronics, Inc.  
91 Avenel Street  
Avenel, NJ 07001

Web [www.krfilters.com](http://www.krfilters.com)  
Email [sales@krfilters.com](mailto:sales@krfilters.com)  
Phone (732) 636-1900  
Fax (732) 636-1982