

KR Electronics

General Description

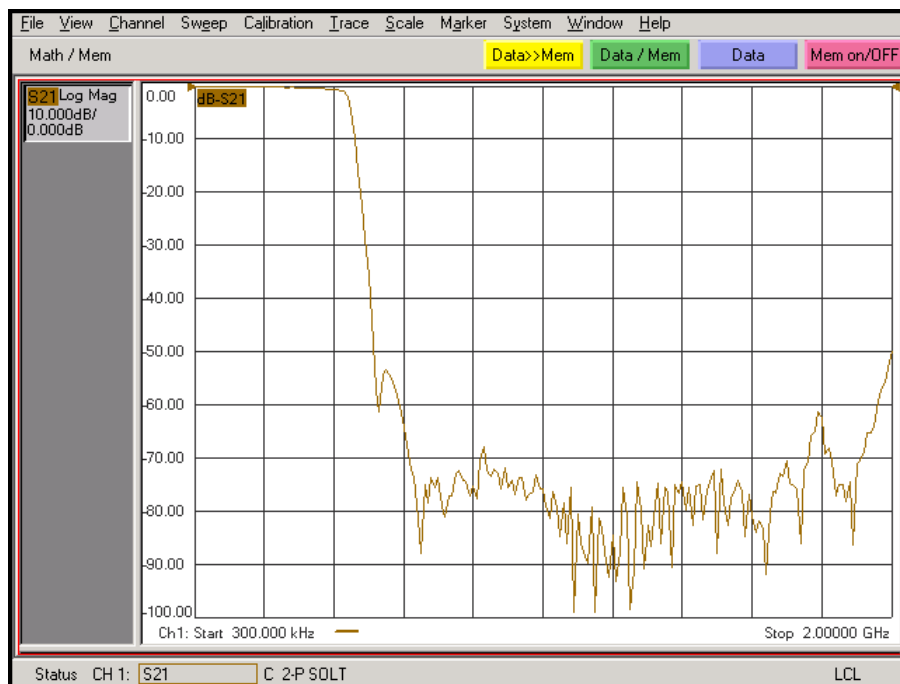
KR Electronics part number 2927 is a 440 MHz elliptic type lowpass filter. Other bandwidths available. Please consult the factory.

Features

- 440 MHz End of Passband < 3 dB
- Sharp Transition to Stopband
- >40 dB at 520 MHz
- 50 Ω Source and Load
- Surface Mount

Typical Performance

Overall Response (10 dB/div)

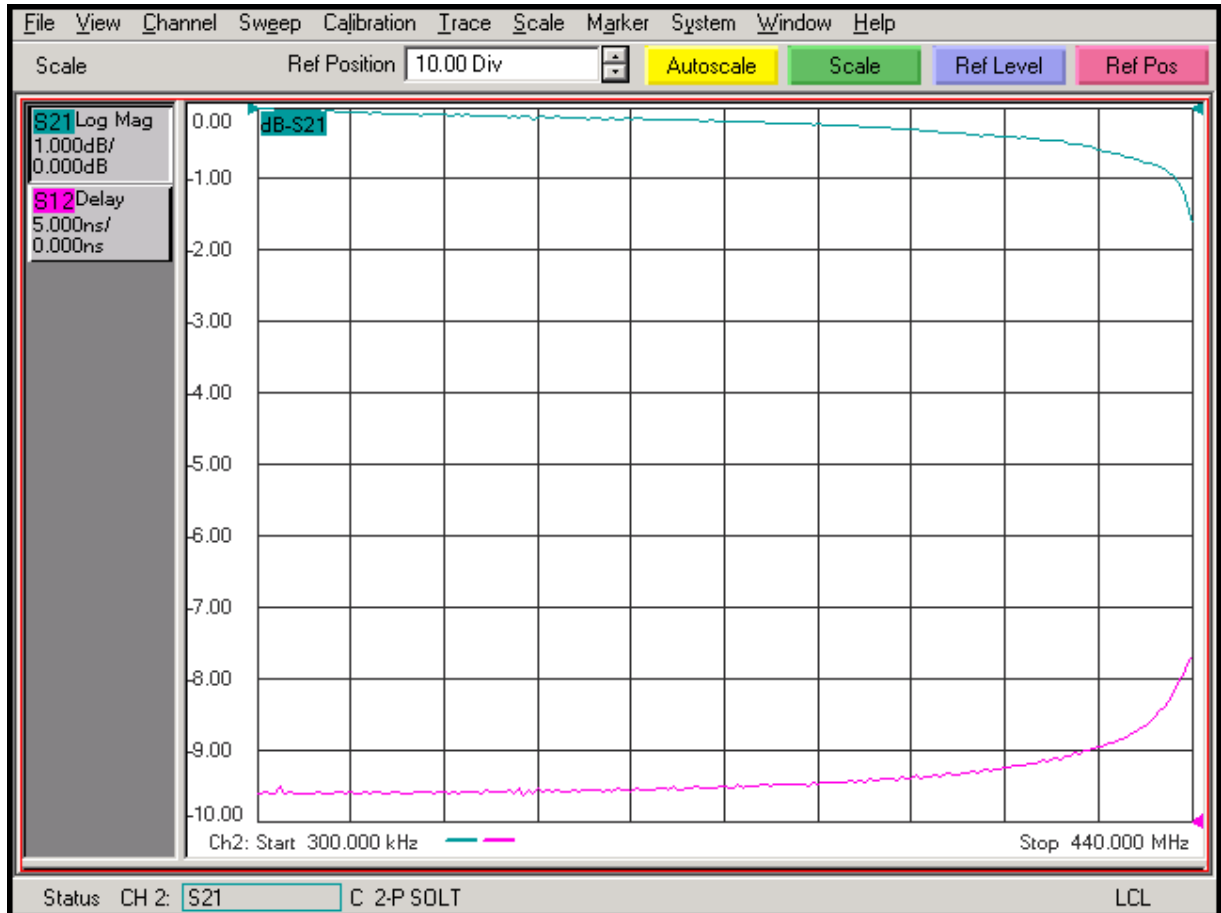


KR Electronics, Inc.
91 Avenel Street
Avenel, NJ 07001

Web www.krfilters.com
Email sales@krfilters.com
Phone (732) 636-1900
Fax (732) 636-1982

Typical Performance

Passband Amplitude & Group Delay (1 dB/div & 5 nsec/div)

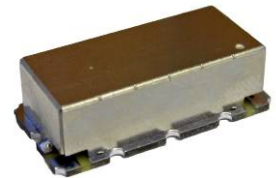
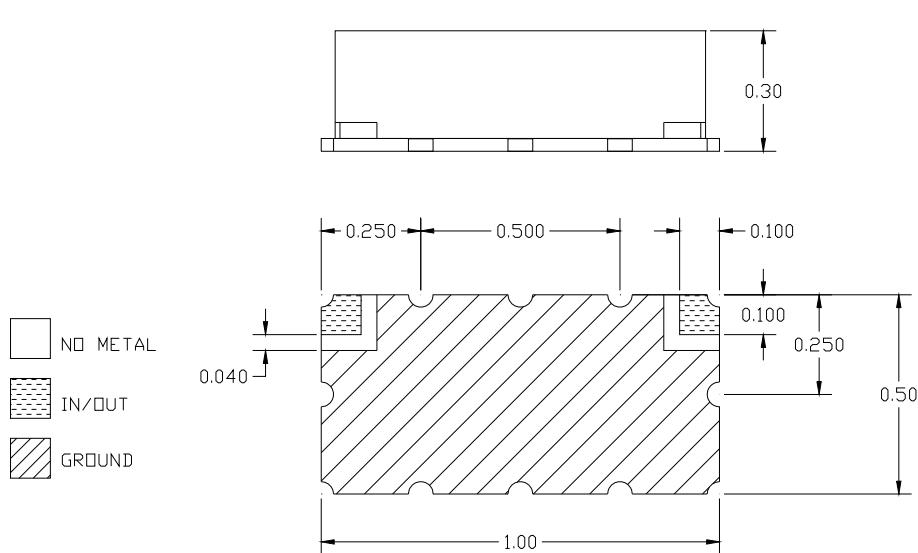


KR Electronics 2927

Specifications

Parameter	Specification
Filter type	Lowpass
End of Passband (< 3 dB)	440 MHz
Start of Stopband (>40 dB)	520 MHz
Source and Load	50 Ω

Physical Dimensions



Notes:

1. Surface mount package
2. Dimensions in inches
3. Max reflow temperature 209° C for 10 sec
4. If boards are cleaned after installation units must be completely dried

KR Electronics, Inc.
91 Avenel Street
Avenel, NJ 07001

Web www.krfilters.com
Email sales@krfilters.com
Phone (732) 636-1900
Fax (732) 636-1982