

# KR Electronics, Inc.

## General Description

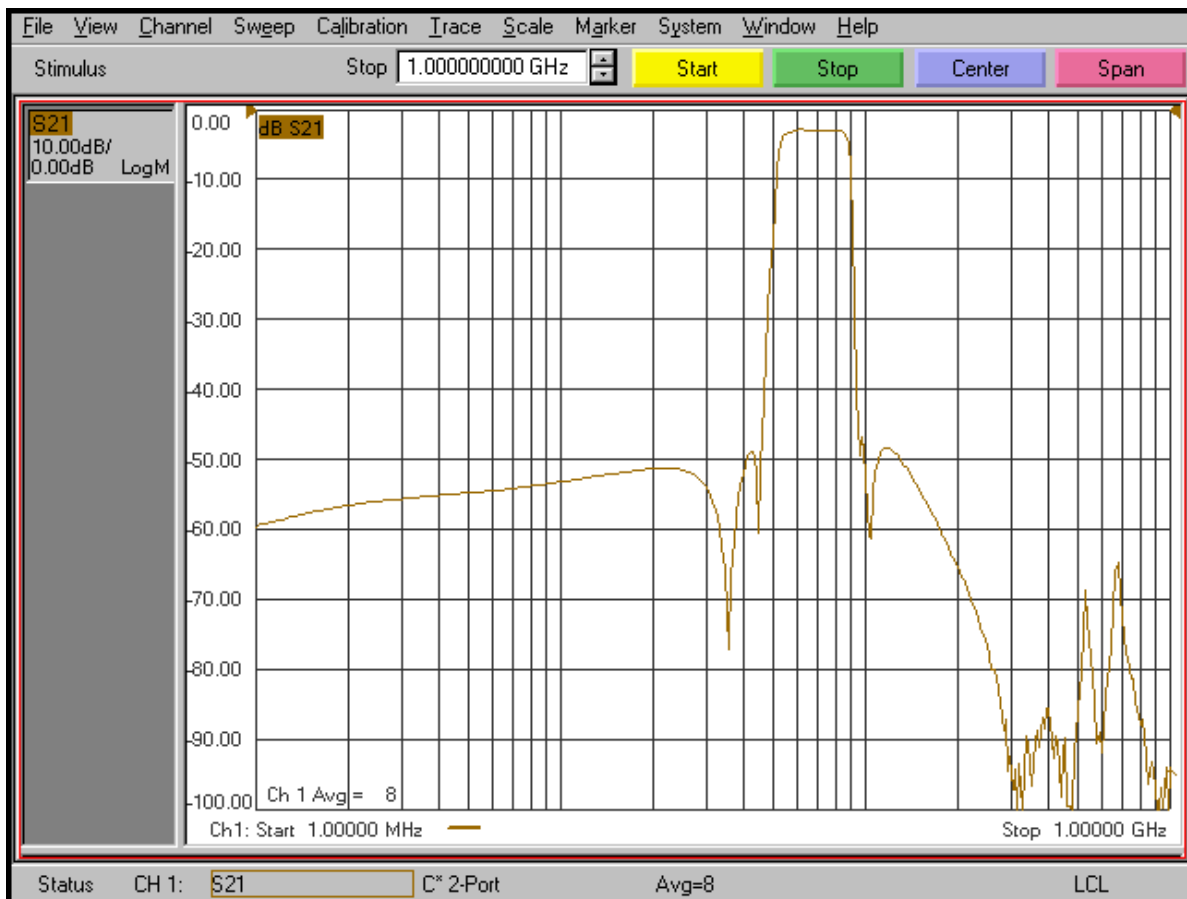
KR Electronics part number 2924-SMA-SMA is a 70 MHz group delay equalized bandpass filter. The filter has a 1 dB bandwidth of 31 MHz and maximum 40 dB bandwidth of 49 MHz. Other center frequencies and bandwidths are available. Please consult the factory.

### Features

- 70 MHz Bandpass Filter
- 1 dB Bandwidth, 31 MHz min
- Sharp Elliptic Type Design
- Group Delay Equalized
- 50 Ω Source and Load
- SMA Connectors
- Also available as surface mount

## Typical Performance

### Overall Response (10 dB/div)

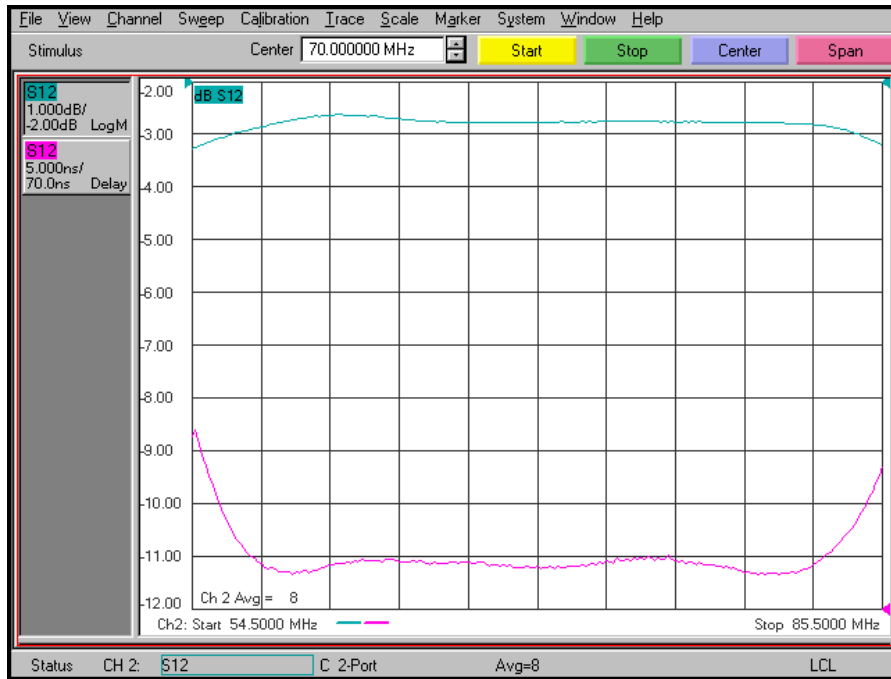


KR Electronics, Inc.  
91 Avenel Street  
Avenel, NJ 07001

Web [www.krfilters.com](http://www.krfilters.com)  
Email [sales@krfilters.com](mailto:sales@krfilters.com)  
Phone (732) 636-1900  
Fax (732) 636-1982

# KR Electronics 2924-SMA

## Passband Amplitude & Group Delay (1 dB/div & 5 nsec/div)



## Overall Response (10 dB/div)



KR Electronics, Inc.  
91 Avenel Street  
Avenel, NJ 07001

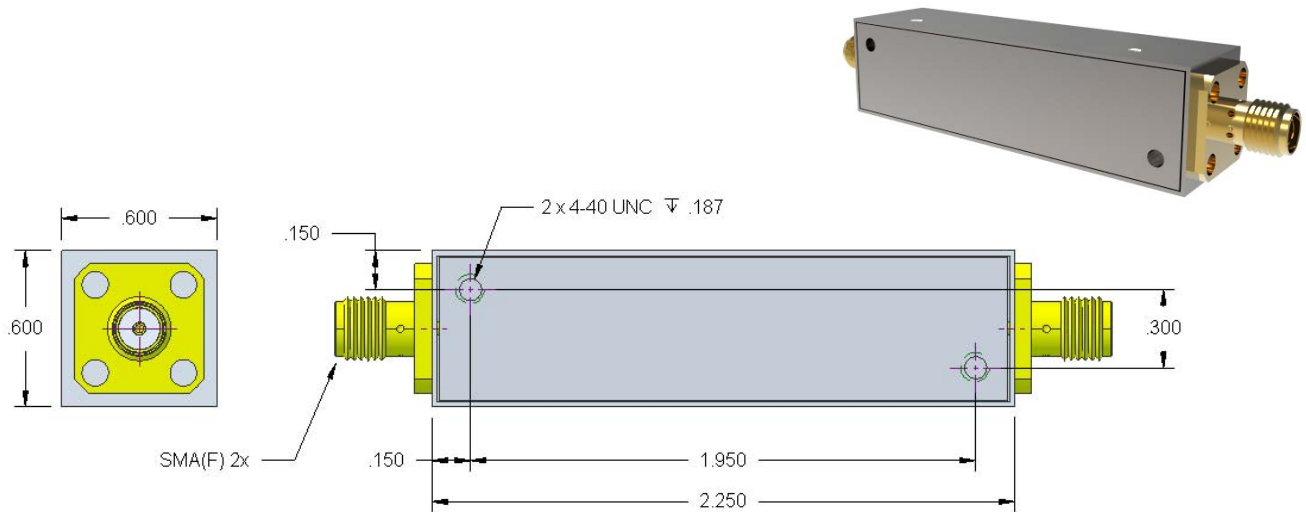
Web www.krfilters.com  
Email sales@krfilters.com  
Phone (732) 636-1900  
Fax (732) 636-1982

# KR Electronics 2924-SMA

## Specifications

Parameter	Specification	
Filter type	Bandpass	
Center Frequency	70 MHz	
Insertion Loss	4 dB max	3 dB typical
1 dB Bandwidth	31 MHz min	33 MHz typical
3 dB Bandwidth	36 MHz typical	
20 dB Bandwidth	44 MHz max	42.7 MHz typical
40 dB Bandwidth	49 MHz max	48 MHz typical
Group Delay Variation (58 MHz to 82 MHz)	4 nsec max	< 2 nsec typical
Source and Load	50 Ω	

## Physical Dimensions



**Notes:**

1. Dimensions in inches
2. Rectangular case
3. Also available in surface mount package

KR Electronics, Inc.  
91 Avenel Street  
Avenel, NJ 07001

Web [www.krfilters.com](http://www.krfilters.com)  
Email [sales@krfilters.com](mailto:sales@krfilters.com)  
Phone (732) 636-1900  
Fax (732) 636-1982