

# KR Electronics

## General Description

KR Electronics part number 2924+ is a 70 MHz elliptic type bandpass filter. The filter is group delay and amplitude equalized with a minimum 1 dB bandwidth of 31 MHz. Other center frequencies and bandwidths available. Please consult the factory.

## Features

- 70 MHz Center Frequency
- 31 MHz min 1 dB Bandwidth
- Group Delay Equalized for Linear Phase
- 50  $\Omega$  Source and Load
- Surface Mount
- Also available with SMA connectors

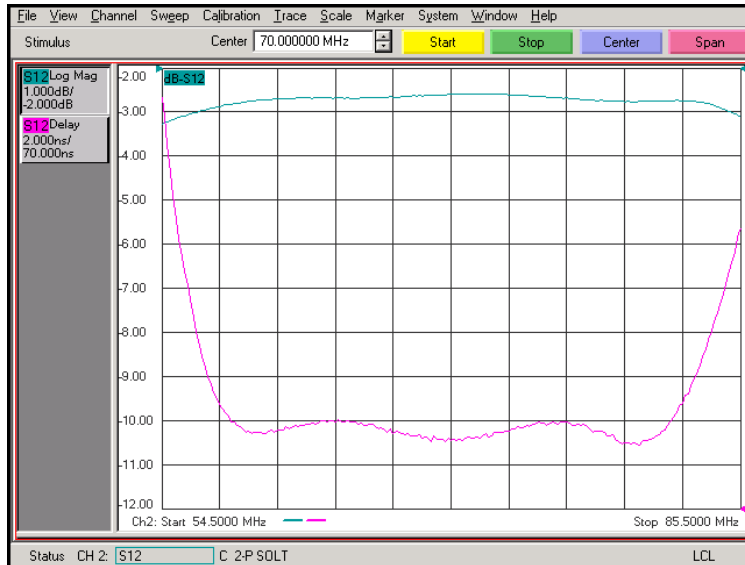
## Typical Performance

### Overall Response (10 dB/div)



## Typical Performance

### Passband Amplitude & Group Delay (1 dB/div & 2 nsec/div)



### Overall Stopband to 1 GHz (10 dB/div)



KR Electronics, Inc.  
91 Avenel Street  
Avenel, NJ 07001

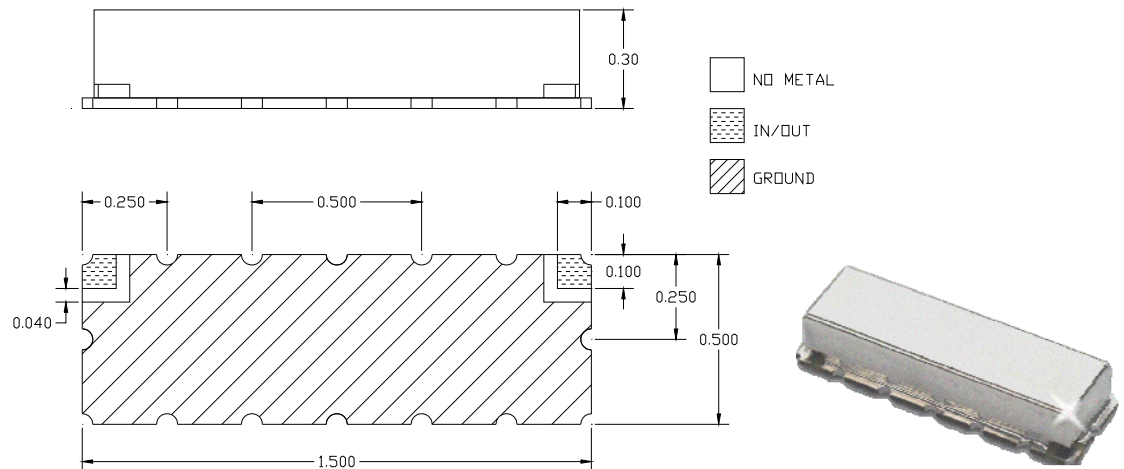
Web [www.krfilters.com](http://www.krfilters.com)  
Email [sales@krfilters.com](mailto:sales@krfilters.com)  
Phone (732) 636-1900  
Fax (732) 636-1982

# KR Electronics 2924+

## Specifications

Parameter	Specification
Filter type	Bandpass
Center Frequency	70 MHz
Insertion Loss	< 4 dB (< 3 dB typical)
1 dB Bandwidth	31 MHz min
20 dB Bandwidth	44 MHz max
40 dB Bandwidth	49 MHz max
Group Delay Variation (58 MHz to 82 MHz)	4 nsec max (<2 nsec typical)
Source and Load	50 $\Omega$

## Physical Dimensions



### Notes:

1. Surface mount package, metal cover
2. Dimensions in inches
3. Max reflow temperature 230° C for 10 sec
4. If boards are cleaned after installation units must be completely dried
5. Also available in metal case with SMA connectors

KR Electronics, Inc.  
 91 Avenel Street  
 Avenel, NJ 07001

Web [www.krfilters.com](http://www.krfilters.com)  
 Email [sales@krfilters.com](mailto:sales@krfilters.com)  
 Phone (732) 636-1900  
 Fax (732) 636-1982