

# KR Electronics, Inc.

## General Description

KR Electronics part number 2892-SMA-M/F is a 250 MHz band-pass filter. The filter has a typical 3 dB bandwidth of 50 MHz. Other center frequencies and bandwidths are available. Please consult the factory.

### Features

- 250 MHz Bandpass Filter
- 50 MHz typical 3 dB Bandwidth
- 50  $\Omega$  Source and Load
- SMA Connectors
- Surface Mount also available

## Typical Performance

**Overall Response**  
(10 dB/div)

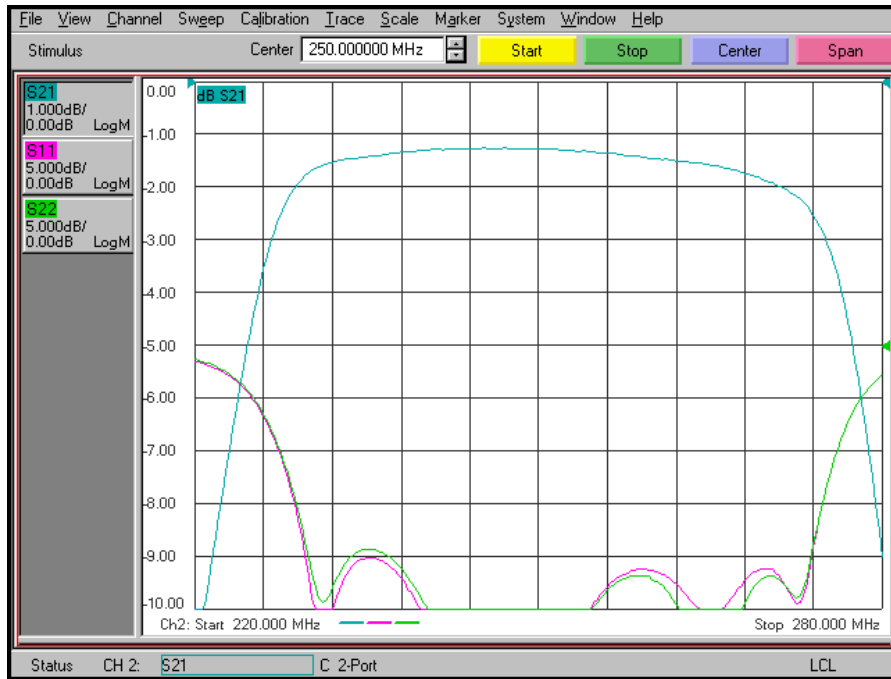


KR Electronics, Inc.  
91 Avenel Street  
Avenel, NJ 07001

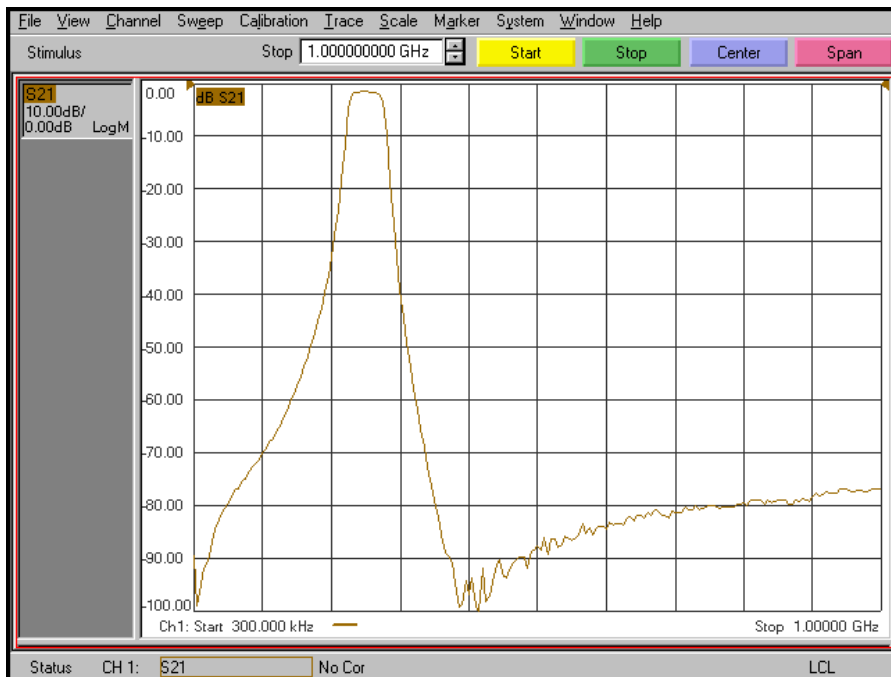
Web [www.krfilters.com](http://www.krfilters.com)  
Email [sales@krfilters.com](mailto:sales@krfilters.com)  
Phone (732) 636-1900  
Fax (732) 636-1982

# KR Electronics 2892-SMA-M/F

## Passband Amplitude & Return Loss (1 dB/div & 5 dB/div)



## Overall Response (10 dB/div)



KR Electronics, Inc.  
91 Avenel Street  
Avenel, NJ 07001

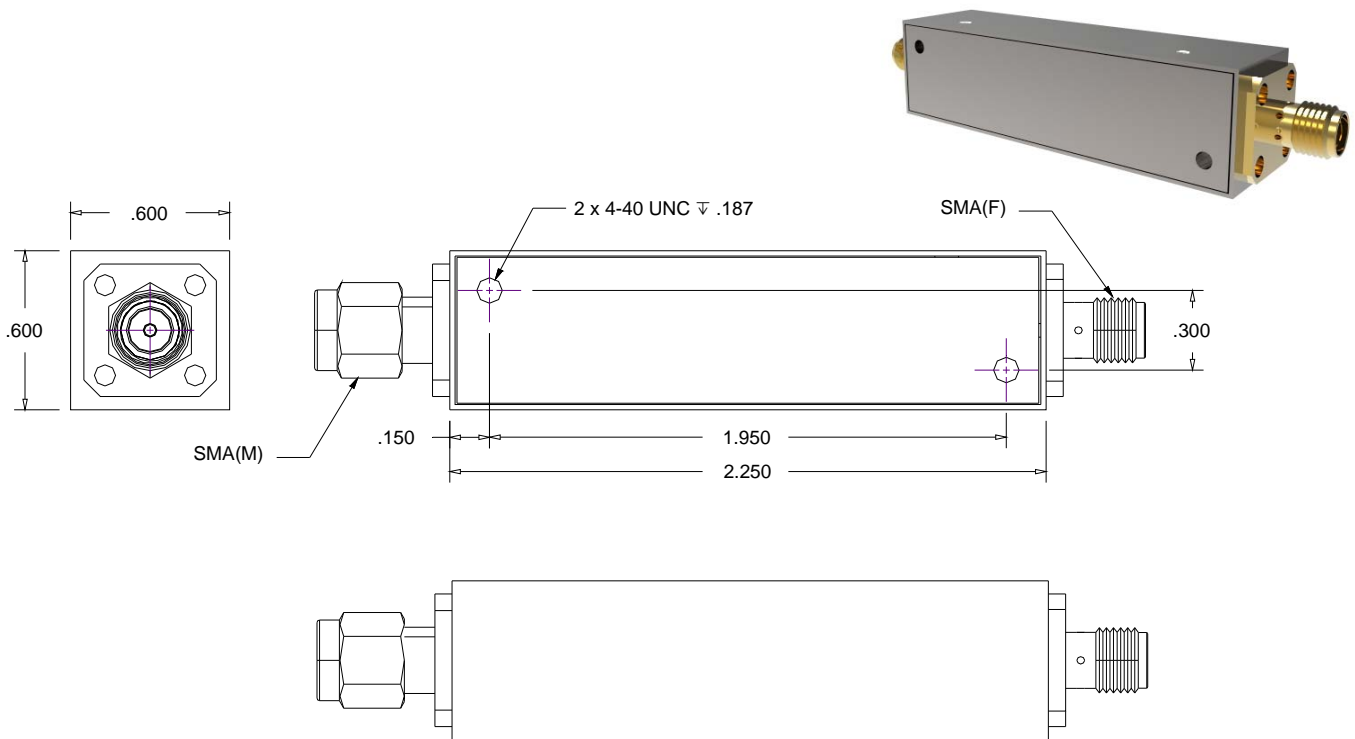
Web [www.krfilters.com](http://www.krfilters.com)  
Email [sales@krfilters.com](mailto:sales@krfilters.com)  
Phone (732) 636-1900  
Fax (732) 636-1982

# KR Electronics 2892-SMA-M/F

## Specifications

Parameter	Specification	
Filter type	Bandpass	
Center Frequency	250 MHz	
Insertion Loss	2.5 dBa max	1.5 dBa typical
3 dBc Bandwidth	50 MHz typical	
40 dBc Bandwidth	111 MHz typical	
60 dBc Bandwidth	180 MHz typical	
Source and Load	50 Ω	

## Physical Dimensions



**Notes:**

1. Dimensions in inches
2. Rectangular case
3. Also available in a surface mount package

KR Electronics, Inc.  
 91 Avenel Street  
 Avenel, NJ 07001

Web [www.krfilters.com](http://www.krfilters.com)  
 Email [sales@krfilters.com](mailto:sales@krfilters.com)  
 Phone (732) 636-1900  
 Fax (732) 636-1982