

KR Electronics

General Description

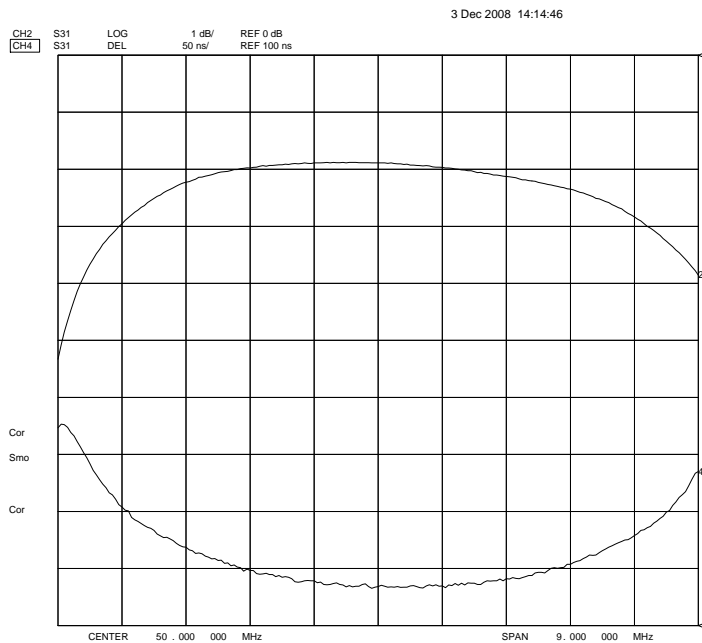
KR 2867-1 is a 50 MHz bandpass filter. The filter has a typical 3 dB bandwidth of 9 MHz. Other passband frequencies are available. Please consult the factory.

Features

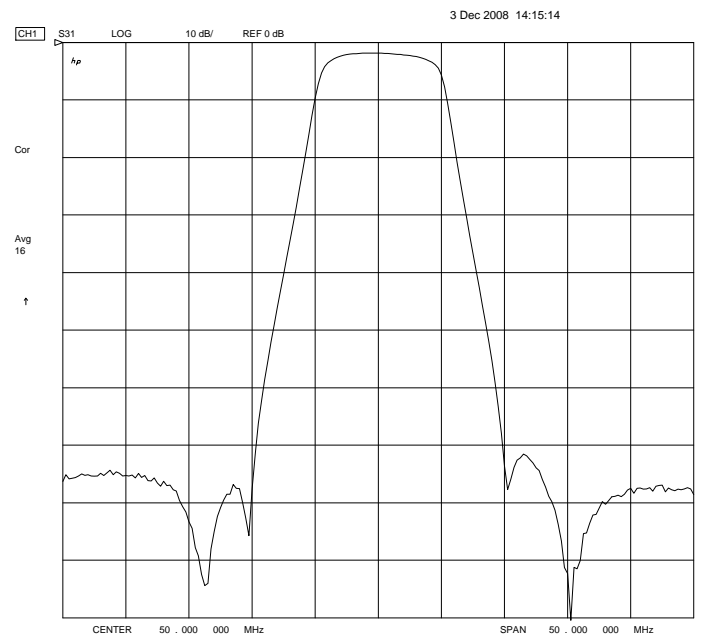
- 50 MHz Center Frequency
- 3 dB Bandwidth 8 MHz min
- Sharp Transition to the Stopband
- Surface Mount
- 50 Ω Source and Load

Typical Performance

Passband Amplitude & Group Delay
(1 dB/div and 50 nsec/div)



Overall Response
(10 dB/div)



KR Electronics, Inc.
91 Avenel Street
Avenel, NJ 07001

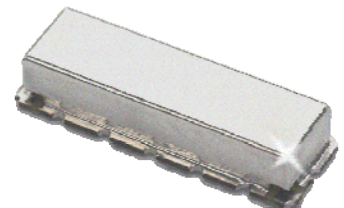
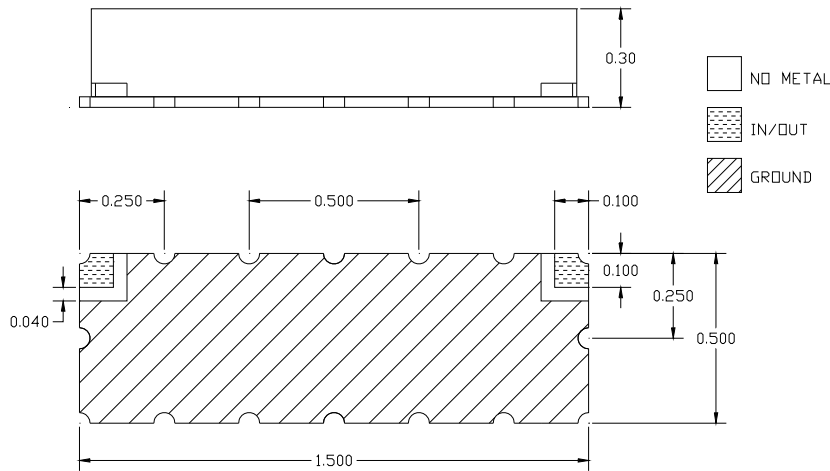
Web www.krfilters.com
Email sales@krfilters.com
Phone (732) 636-1900
Fax (732) 636-1982

KR Electronics 2867-1

Specifications

Parameter	Specification	
Filter type	Bandpass	
Center Frequency	50 MHz	
Insertion Loss	< 3.5 dB (2 dB typical)	
3 dB Bandwidth	8 MHz min	9 MHz typical
Attenuation at 40 MHz	> 60 dB	
Attenuation at 60 MHz	> 60 dB	
Source and Load	50 Ω	

Physical Dimensions



Notes:

1. Surface mount package, metal cover
2. Dimensions in inches
3. Max reflow temperature 230° C for 10 sec
4. If boards are cleaned after installation units must be completely dried
5. Also available in metal case with SMA connectors

KR Electronics, Inc.
91 Avenel Street
Avenel, NJ 07001

Web www.krfilters.com
Email sales@krfilters.com
Phone (732) 636-1900
Fax (732) 636-1982