

KR Electronics

General Description

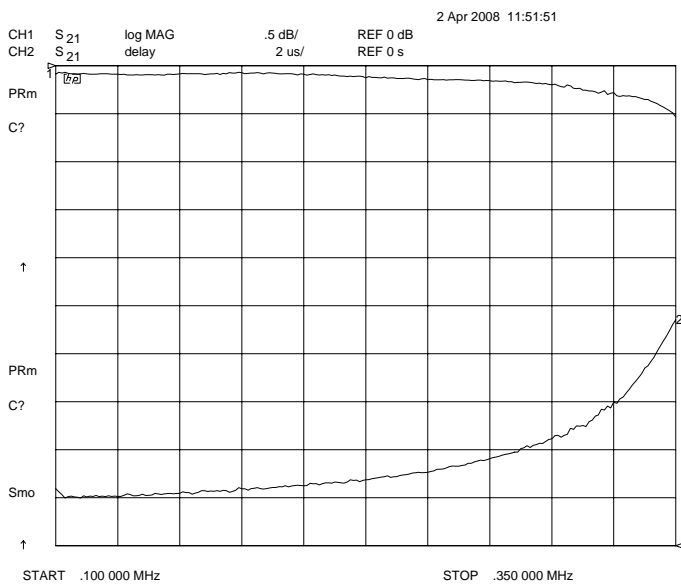
KR 2827 is a 350 KHz lowpass filter. The filter has a minimum 1.5 dB bandwidth of 350 KHz and greater than 30 dB at 400 KHz. Other passband frequencies are available. Please consult the factory.

Features

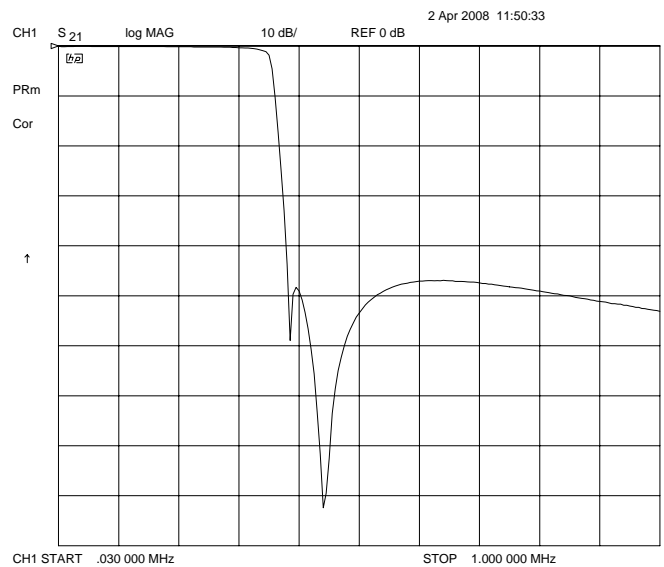
- 350 KHz Lowpass
- SMA Connectors
- 50 Ω Source and Load

Typical Performance

Passband Amplitude & Group Delay
(0.5 dB/div & 2 usec/div)



Overall Response
(10 dB/div)



KR Electronics, Inc.
91 Avenel Street
Avenel, NJ 07001

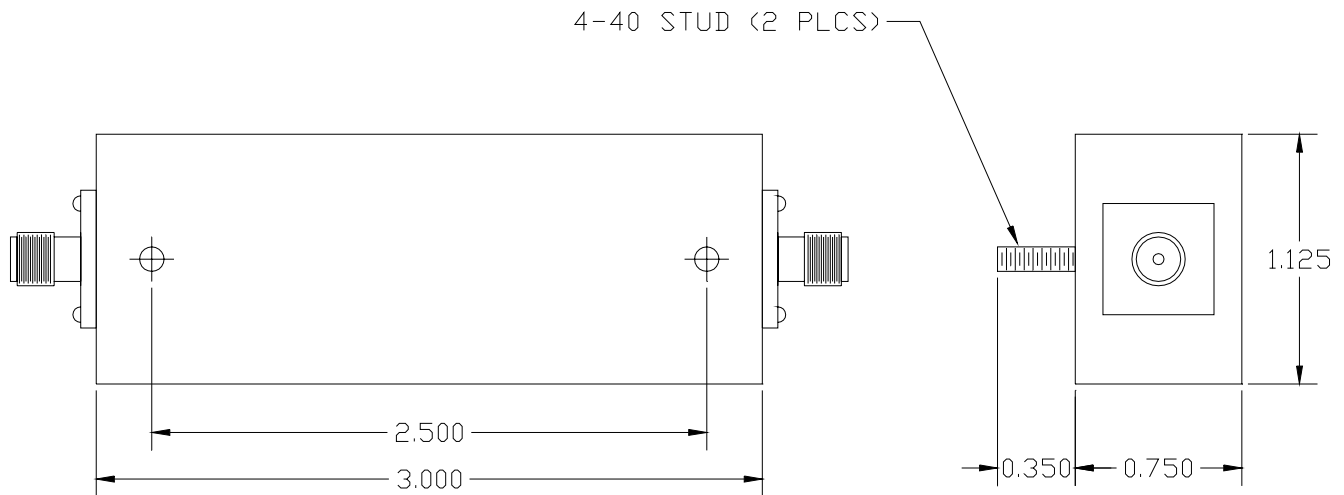
Web www.krfilters.com
Email sales@krfilters.com
Phone (732) 636-1900
Fax (732) 636-1982

KR Electronics 2827

Specifications

Parameter	Specification
Filter type	Lowpass
End of Passband <1.5 dB (0.5 dB typical)	350 KHz
Start of Stopband >30 dB (>45 typical)	400 KHz
Source and Load	50 Ω

Physical Dimensions



Notes:

1. Dimensions in inches
2. SMA(f) connectors 2 plcs