

# KR Electronics

## General Description

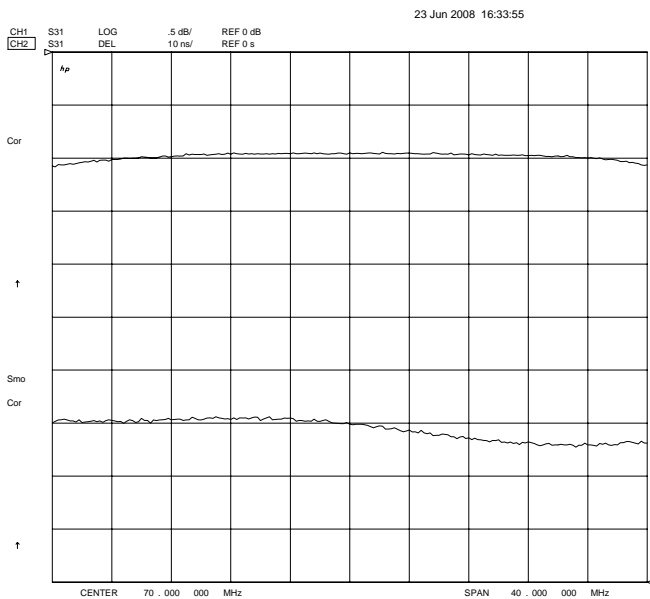
KR 2818-1 is a 70 MHz bandpass filter. The filter has a minimum 0.25 dB bandwidth of 40 MHz. Other passband frequencies are available. Please consult the factory.

### Features

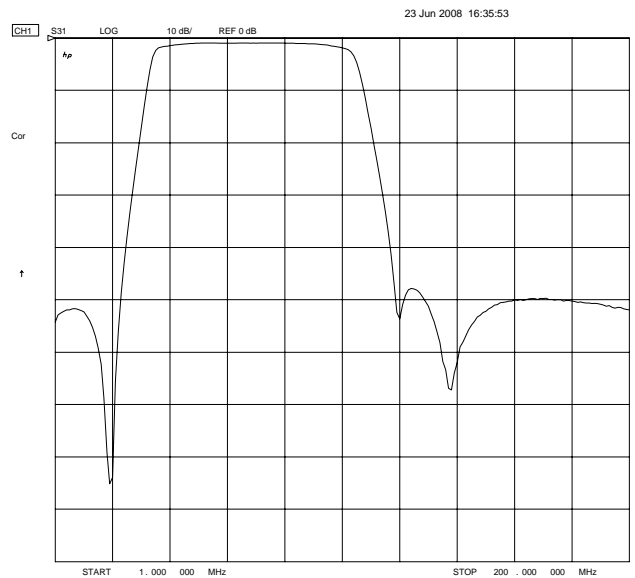
- 70 MHz Center Frequency
- 40 MHz 0.25 Bandwidth
- Surface mount
- 50  $\Omega$  Source and Load

## Typical Performance

### Passband Amplitude & Group Delay (0.5 dB/div and 10 nsec/div)



### Overall Response (10 dB/div)



KR Electronics, Inc.  
91 Avenel Street  
Avenel, NJ 07001

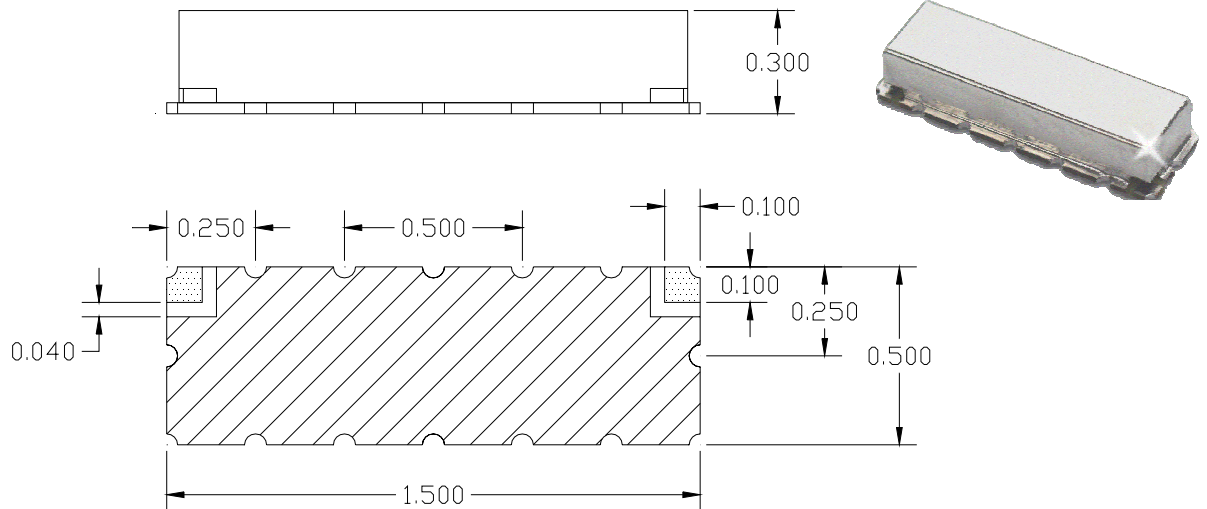
Web www.krfilters.com  
Email sales@krfilters.com  
Phone (732) 636-1900  
Fax (732) 636-1982

# KR Electronics 2818-1

## Specifications

Parameter	Specification
Filter type	Bandpass
Center Frequency	70 MHz
Insertion Loss	< 2 dB ( 1 dB typical)
Attenuation at 50 MHz	< 0.25 dB
Attenuation at 90 MHz	< 0.25 dB
Attenuation at 21 MHz	> 35 dB
Attenuation at 118 MHz	> 35 dB
Source and Load	50 $\Omega$

## Physical Dimensions



**Notes:**

1. Surface mount package — Metal cover, open frame
2. Dimensions in inches
3. Maximum reflow temperature 209° C for 10 seconds maximum
4. If boards are cleaned after installation, units must be completely dried