

General Description

KR Electronics part number 2649-SMA-M/F is a 200 MHz band-pass filter. The filter has a minimum 3 dB bandwidth of 40 MHz. Other center frequencies and bandwidths are available. Please consult the factory.

Features

- 200 MHz Bandpass Filter
- 40 MHz min 3 dB Bandwidth
- 82 MHz max 50 dB Bandwidth
- Selective Elliptic Type Filter
- 50 Ω Source and Load
- SMA Connectors
- Surface Mount also available

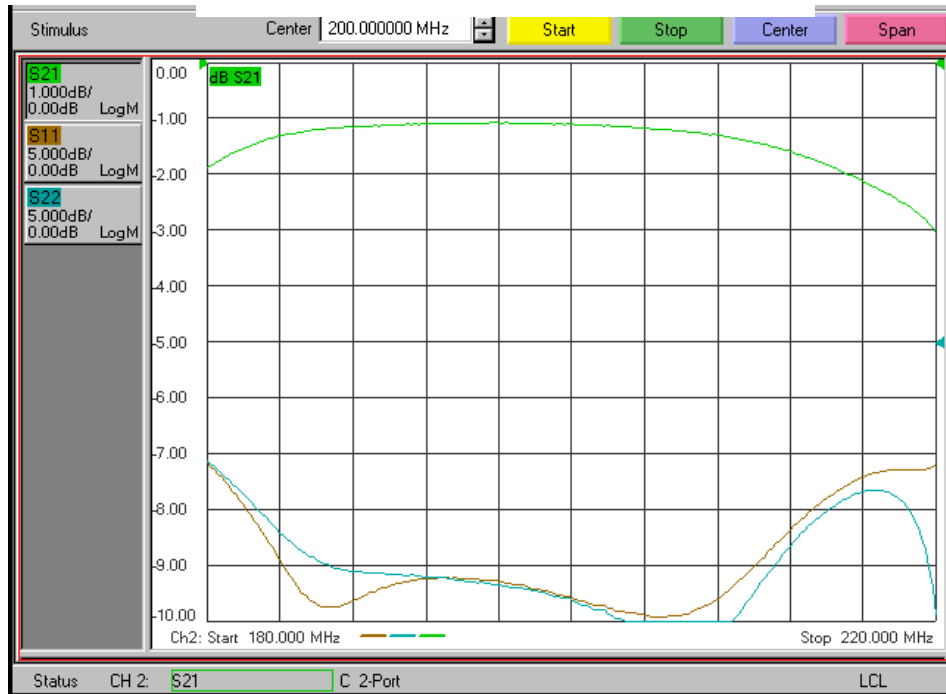
Typical Performance

Overall Response
(10 dB/div)



KR Electronics 2649-SMA-M/F

Passband Amplitude & Return Loss (1 dB/div & 5 dB/div)



Overall Response (10 dB/div)



KR Electronics, Inc.
 91 Avenel Street
 Avenel, NJ 07001

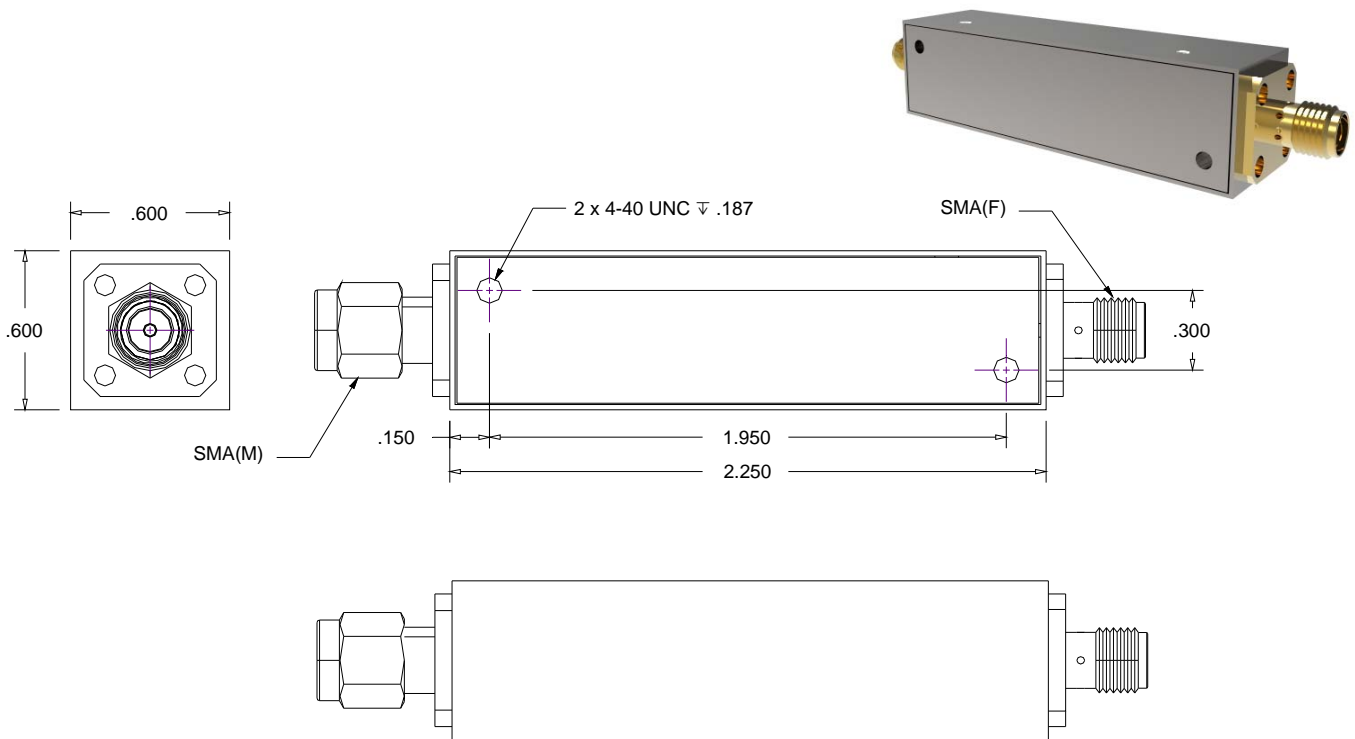
Web: www.krfilters.com
 Email: sales@krfilters.com
 Phone: (732) 636-1900
 Fax: (732) 636-1982

KR Electronics 2649-SMA-M/F

Specifications

Parameter	Specification	
Filter type	Bandpass	
Center Frequency	200 MHz	
Insertion Loss	2.5 dBa max	1.5 dBa typical
3 dBc Bandwidth	40 MHz min	180-220 MHz
Rejection at 159 MHz	50 dBc min	
Rejection at 241 MHz	50 dBc min	
Source and Load	50 Ω	

Physical Dimensions



Notes:

1. Dimensions in inches
2. Rectangular case
3. Also available in a surface mount package

KR Electronics, Inc.
 91 Avenel Street
 Avenel, NJ 07001

Web www.krfilters.com
 Email sales@krfilters.com
 Phone (732) 636-1900
 Fax (732) 636-1982