

KR Electronics, Inc.

General Description

KR Electronics part number 2589-N is a 10 MHz bandpass filter. The filter has a min 3 dB bandwidth of 2 MHz. Other center frequencies and bandwidths are available. Please consult the factory.

Features

- 10 MHz Bandpass Filter
- 2 MHz min 3 dB Bandwidth
- 3 Watts Maximum Input
- 50 Ω Source and Load
- N Connectors

Typical Performance

Overall Response (10 dB/div)

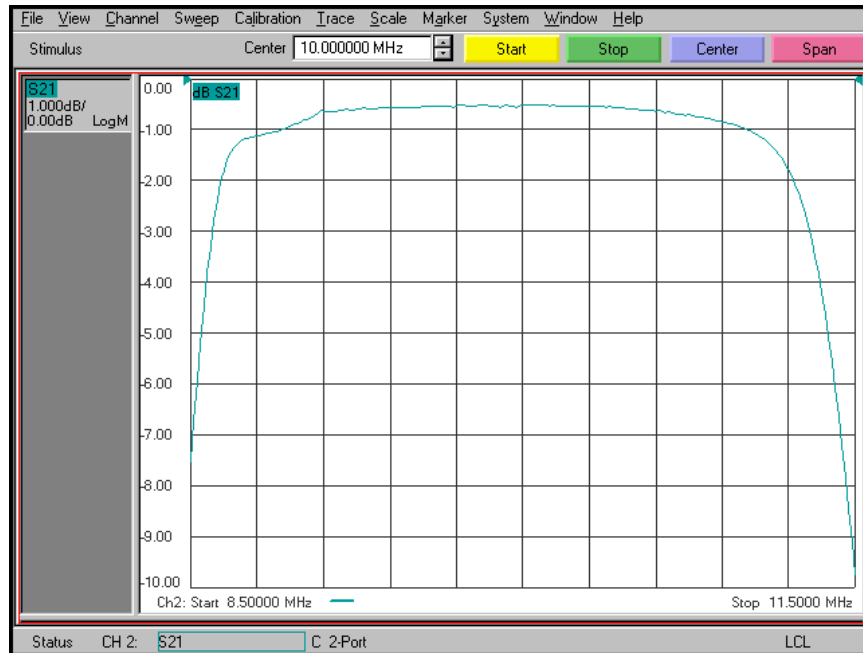


KR Electronics, Inc.
91 Avenel Street
Avenel, NJ 07001

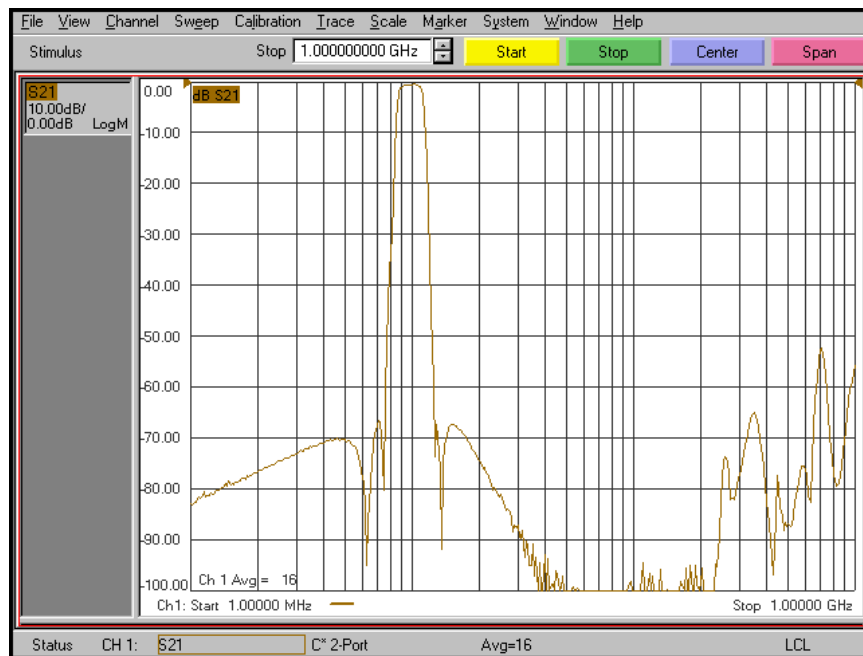
Web www.krfilters.com
Email sales@krfilters.com
Phone (732) 636-1900
Fax (732) 636-1982

Typical Performance

Passband Amplitude (1 dB/div)



Overall Response (10 dB/div)



KR Electronics, Inc.
91 Avenel Street
Avenel, NJ 07001

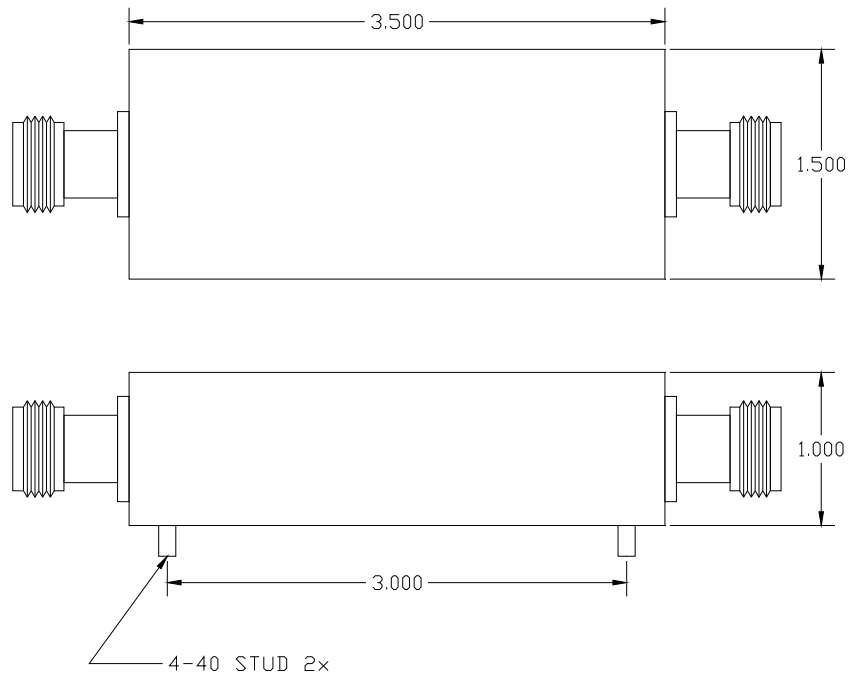
Web www.krfilters.com
Email sales@krfilters.com
Phone (732) 636-1900
Fax (732) 636-1982

KR Electronics 2589-N

Specifications

Parameter	Specification	Notes
Filter type	Bandpass	
Center Frequency Fc	10 MHz	
Insertion Loss at Fc	2 dBa max	<1 dBa typical
3 dBc Bandwidth	2 MHz min	2.7 MHz typical
55 dBc Bandwidth	5 MHz max	4.77 dBc typical
Input Power in Passband	3 Watts max	
Source and Load	50 Ω	

Physical Dimensions



Notes:

1. Dimensions in inches
2. Connectors N(F) In/Out
3. Rectangular case

KR Electronics, Inc.
91 Avenel Street
Avenel, NJ 07001

Web www.krfilters.com
Email sales@krfilters.com
Phone (732) 636-1900
Fax (732) 636-1982