

General Description

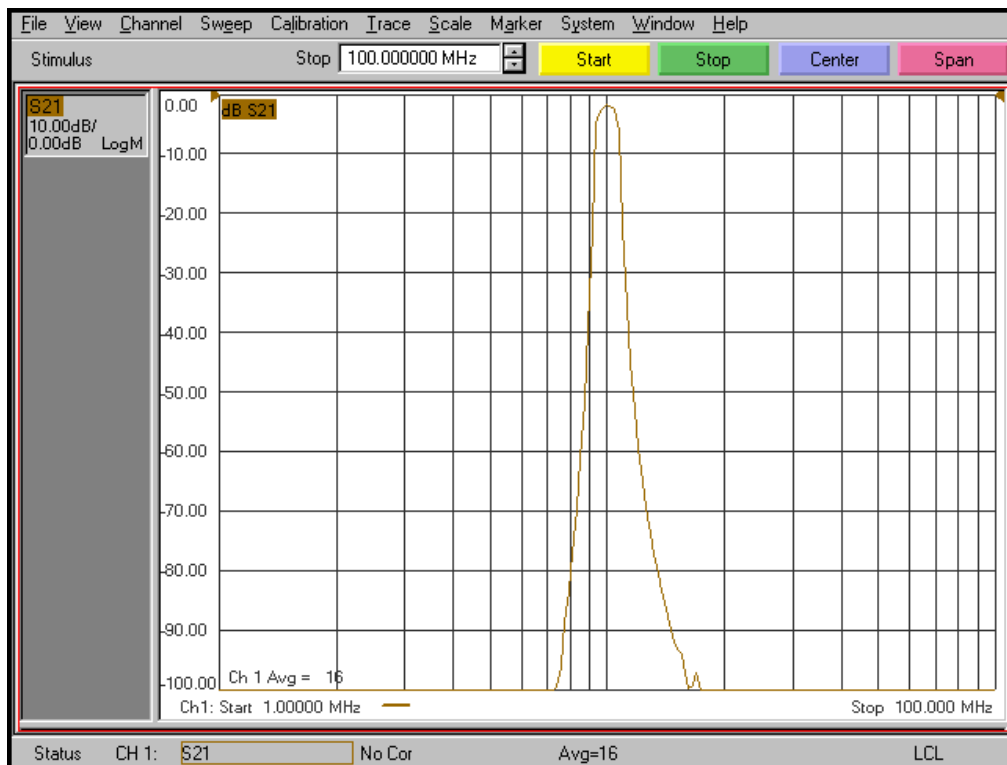
KR Electronics part number 2588-BNC is a 10 MHz band-pass filter. The filter has a min 3 dB bandwidth of 1 MHz. Other frequencies are available. Please consult the factory.

Features

- 10 MHz Bandpass Filter
- 1.4 MHz typical 3 dB Bandwidth
- High Stopband Attenuation
- 50 Ω Source and Load
- BNC Connectors

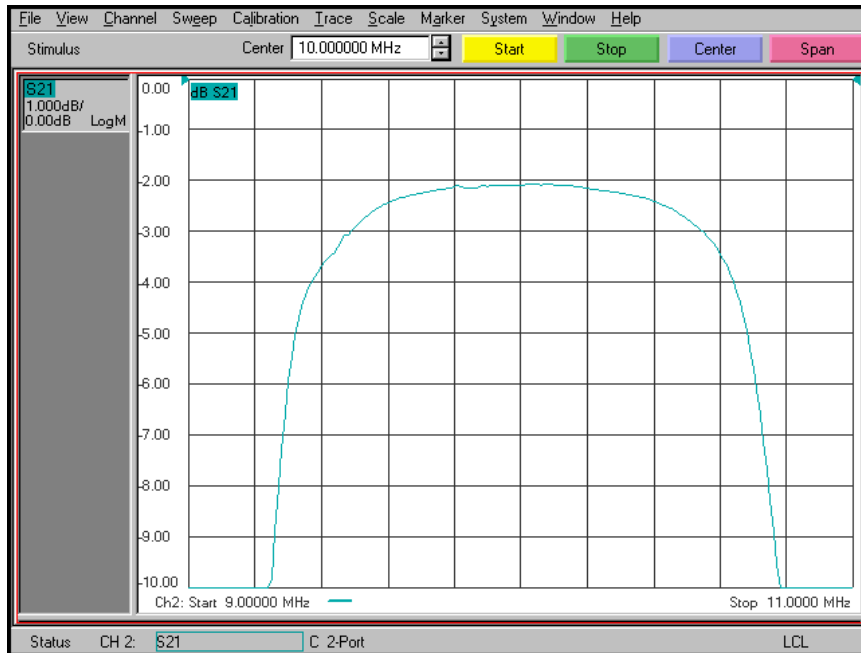
Typical Performance

Overall Response (10 dB/div)

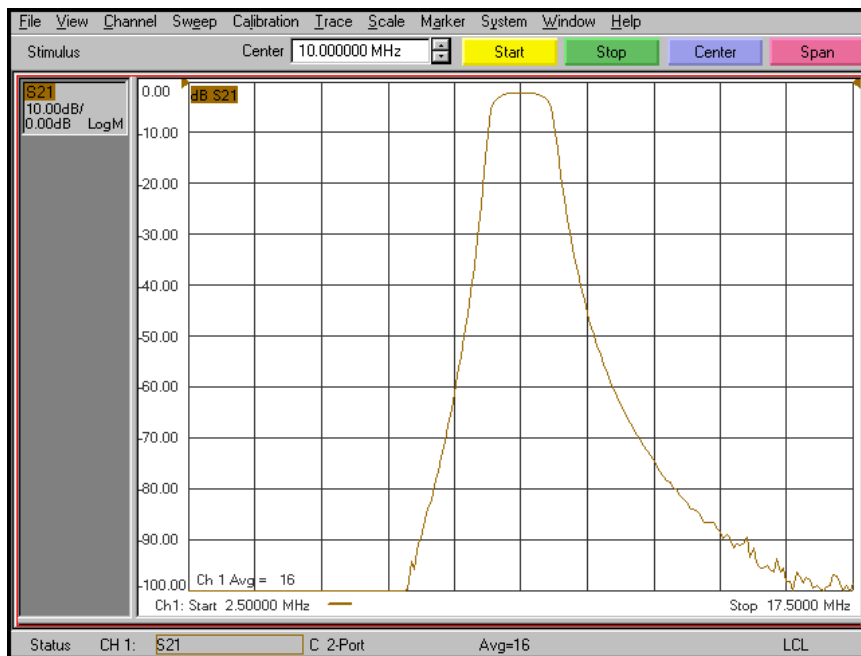


Typical Performance

Passband Amplitude (1 dB/div)



Overall Response (10 dB/div)



KR Electronics, Inc.
91 Avenel Street
Avenel, NJ 07001

Web www.krfilters.com
Email sales@krfilters.com
Phone (732) 636-1900
Fax (732) 636-1982

KR Electronics 2588-BNC

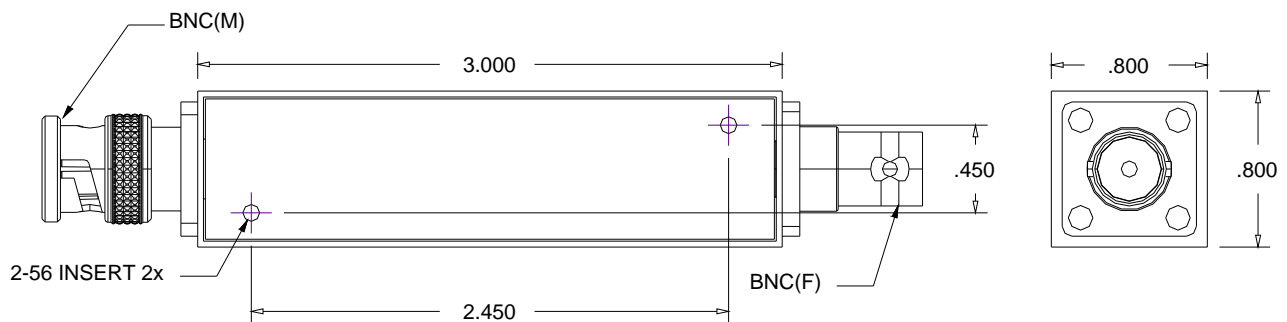
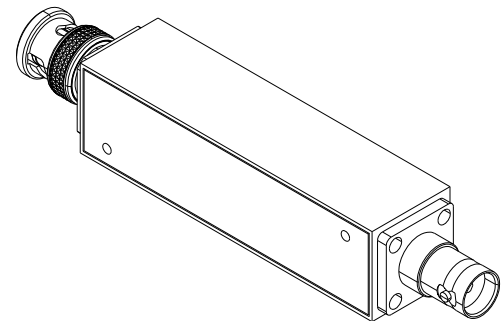
Specifications

Parameter	Specification	Notes
Filter type	Bandpass	
Center Frequency (Fc)	10 MHz	
Insertion Loss (at Fc)	4 dBa max	2 dBa typical
3 dBc Bandwidth	1 MHz min	1.4 MHz typical
Rejection at 8.75 MHz & below	40 dBc min	
Rejection 11.5 MHz to 500 MHz	40 dBc min	
40 dBc Bandwidth	2.55 MHz typical	
60 dBc Bandwidth	3.71 MHz typical	
Source and Load	50 Ω	

Physical Dimensions

Notes:

1. Dimensions in inches
2. Rectangular case
3. Also available with SMA connectors



KR Electronics, Inc.
91 Avenel Street
Avenel, NJ 07001

Web: www.krfilters.com
 Email: sales@krfilters.com
 Phone: (732) 636-1900
 Fax: (732) 636-1982