

# KR Electronics, Inc.

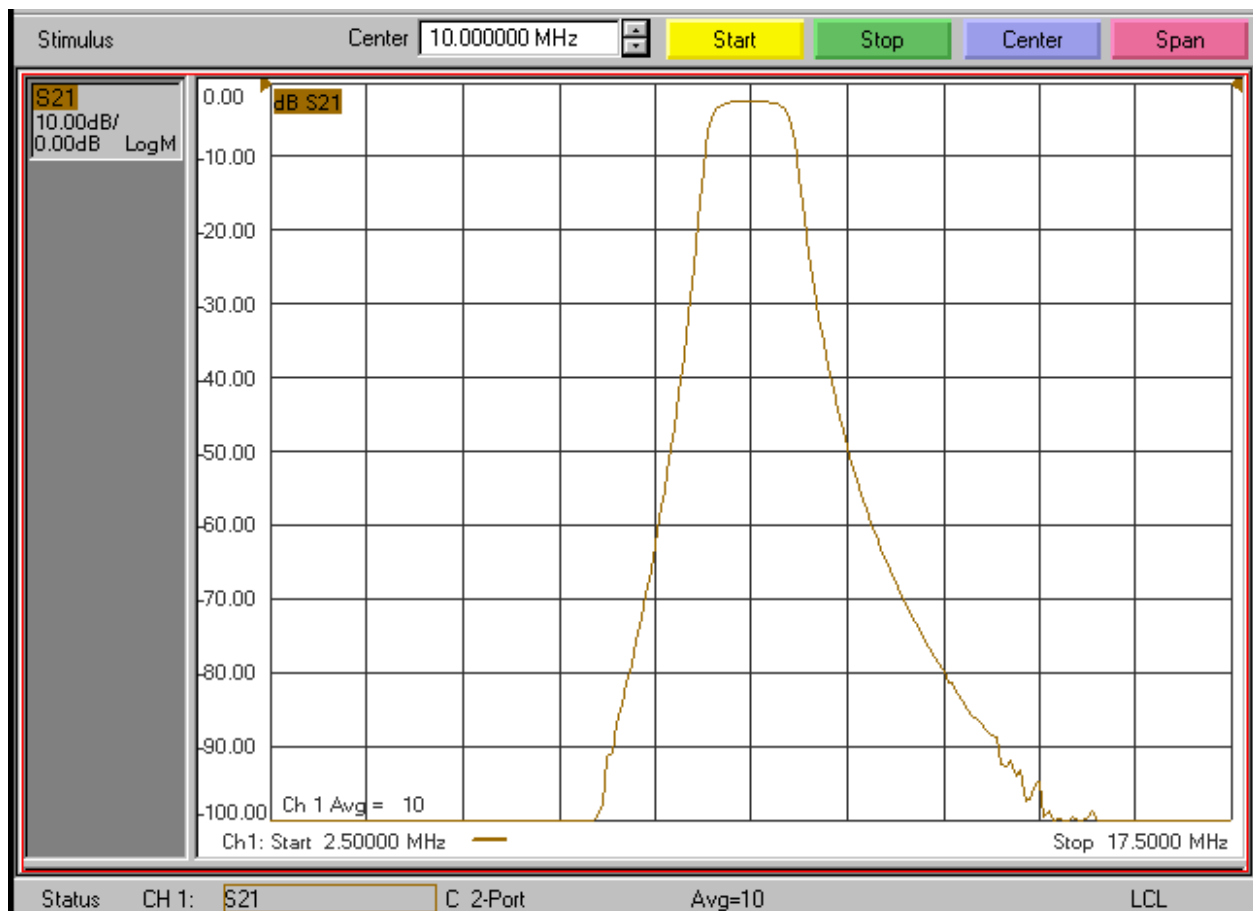
## General Description

KR Electronics part number 2588-BNC-FF is a 10 MHz bandpass filter. The filter has a min 3 dB bandwidth of 1 MHz. Other frequencies are available. Please consult the factory.

## Features

- 10 MHz Bandpass Filter
- 1.3 MHz typical 3 dB Bandwidth
- High Stopband Attenuation
- 50  $\Omega$  Source and Load
- BNC Connectors

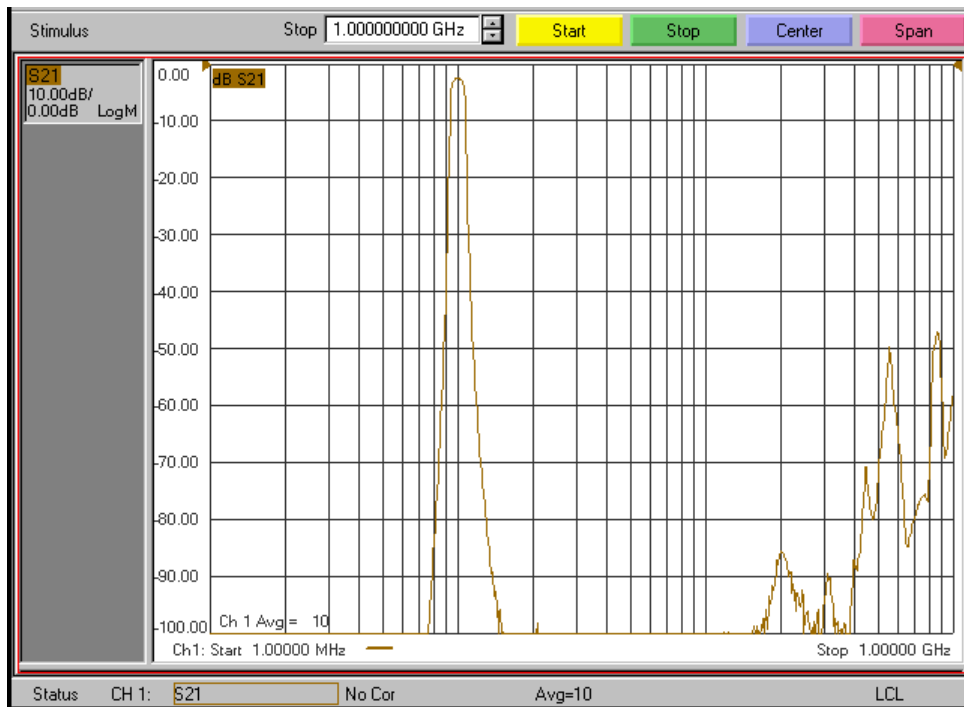
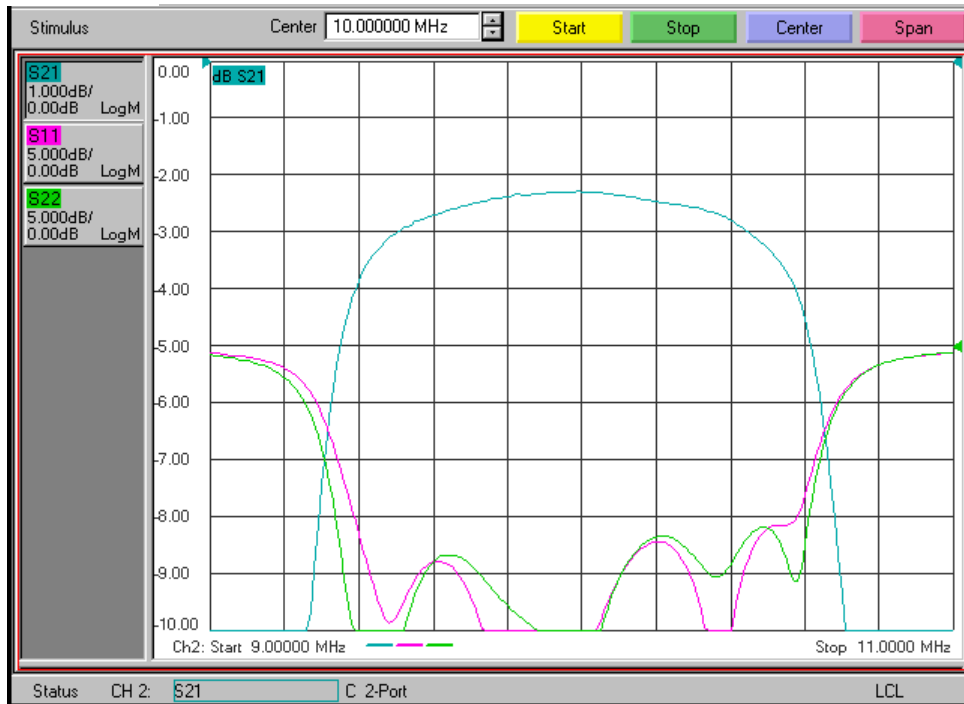
## Typical Performance



KR Electronics, Inc.  
91 Avenel Street  
Avenel, NJ 07001

Web [www.krfilters.com](http://www.krfilters.com)  
Email [sales@krfilters.com](mailto:sales@krfilters.com)  
Phone (732) 636-1900  
Fax (732) 636-1982

Typical Performance



KR Electronics, Inc.  
91 Avenel Street  
Avenel, NJ 07001

Web www.krfilters.com  
Email sales@krfilters.com  
Phone (732) 636-1900  
Fax (732) 636-1982

# KR Electronics 2588-BNC-FF

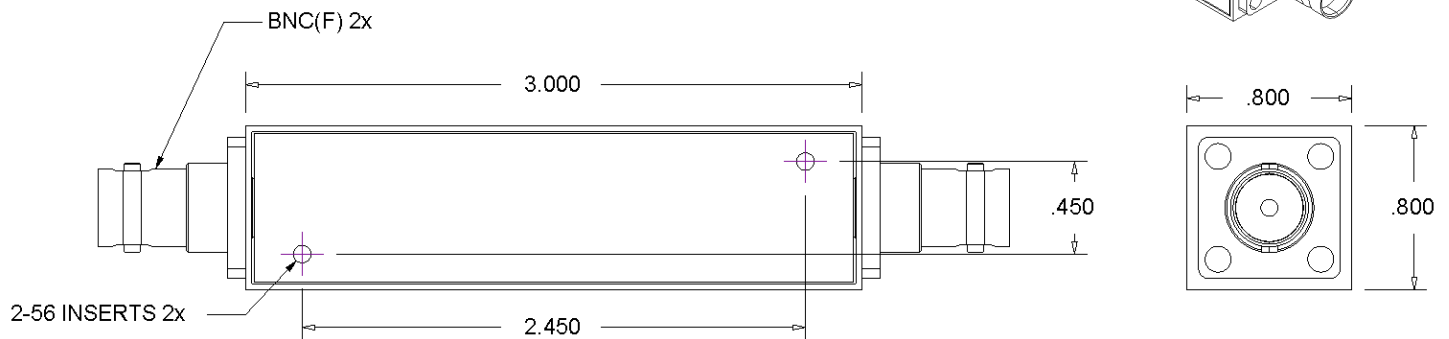
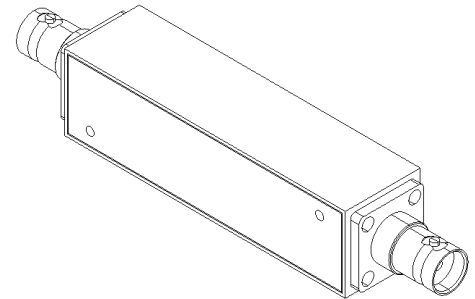
## Specifications

Parameter	Specification	Notes
Filter type	Bandpass	
Center Frequency (Fc)	10 MHz	
Insertion Loss (at Fc)	4 dBa max	2.3 dBa typical
3 dBc Bandwidth	1 MHz min	1.3 MHz typical
Rejection at 8.75 MHz & below	40 dBc min	
Rejection 11.5 MHz to 500 MHz	40 dBc min	
40 dBc Bandwidth	2.4 MHz typical	
60 dBc Bandwidth	3.5 MHz typical	
Source and Load	50 $\Omega$	

## Physical Dimensions

Notes:

1. Dimensions in inches
2. Rectangular case
3. Also available with SMA connectors



KR Electronics, Inc.  
91 Avenel Street  
Avenel, NJ 07001

Web [www.krfilters.com](http://www.krfilters.com)  
Email [sales@krfilters.com](mailto:sales@krfilters.com)  
Phone (732) 636-1900  
Fax (732) 636-1982