

KR Electronics, Inc.

General Description

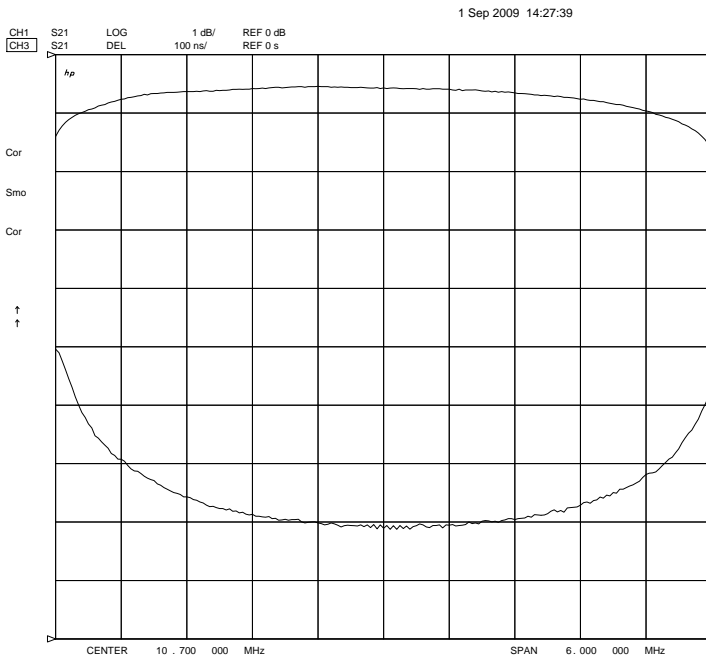
KR 2567-1 is a 10.7 MHz bandpass filter. The filter has a minimum 3 dB bandwidth of 6 MHz and is designed for 50 Ω source and load impedance. Other center frequencies and bandwidths are available. Also available in a SMA package. Please consult the factory.

Features

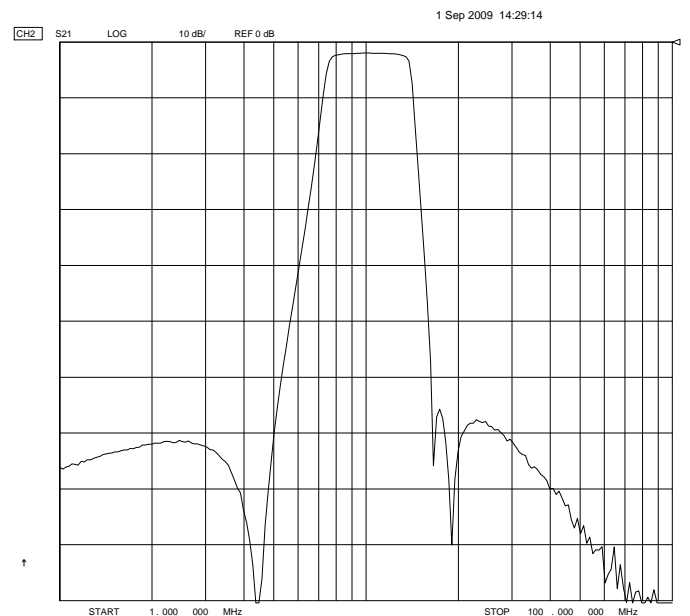
- 10.7 MHz Bandpass
- Elliptic type response
- 50 Ω
- SMT package

Typical Performance

Passband Amplitude & Group Delay
(1 dB/div & 100 nsec/div)



Overall Response
(10 dB/div)



KR Electronics, Inc.
91 Avenel Street
Avenel, NJ 07001

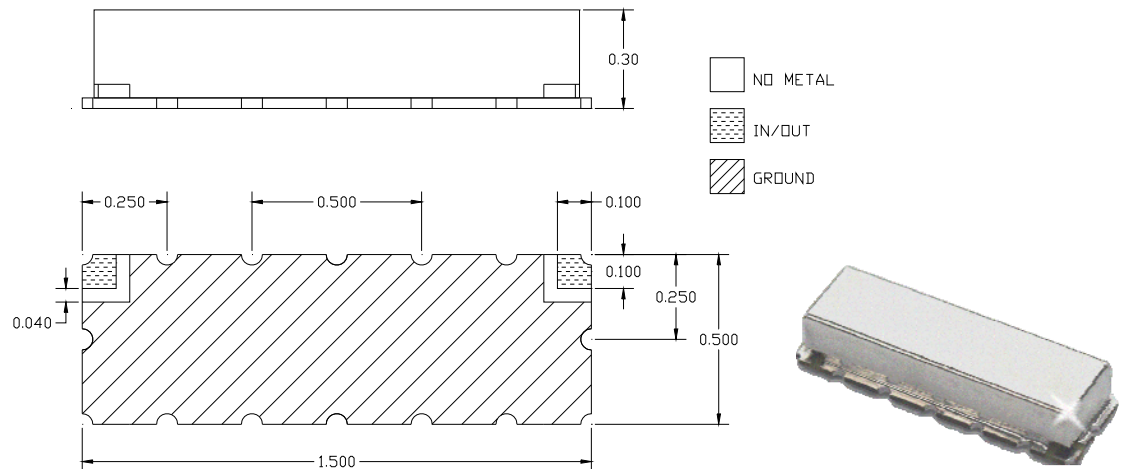
Web www.krfilters.com
Email sales@krfilters.com
Phone (732) 636-1900
Fax (732) 636-1982

KR Electronics, Inc. 2567-1

Specifications

Parameter	Specification
Filter type	Bandpass
Center Frequency	10.7 MHz
Insertion Loss	< 3 dB (< 1 dB typical)
Minimum 3 dB Bandwidth	6 MHz
Attenuation at 5 MHz	> 60 dB
Attenuation at 16.5 MHz	> 60 dB
Source & Load	50 Ω
Operating Temperature	-30° C to +70° C

Physical Dimensions



Notes:

1. Surface mount package, metal cover
2. Dimensions in inches
3. Max reflow temperature 209° C for 10 sec
4. If boards are cleaned after installation units must be completely dried
5. Also available in metal case with SMA connectors

KR Electronics, Inc.
91 Avenel Street
Avenel, NJ 07001

Web www.krfilters.com
Email sales@krfilters.com
Phone (732) 636-1900
Fax (732) 636-1982