

## General Description

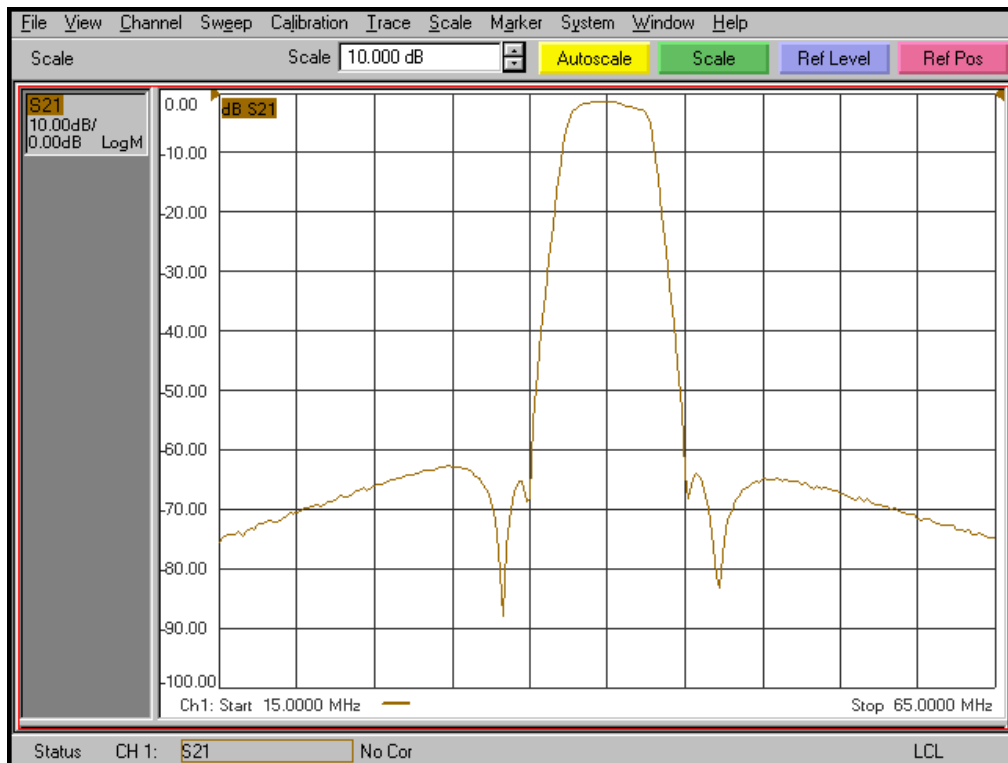
KR Electronics part number 2510-N is a 40 MHz bandpass filter. The filter has a min 3 dB bandwidth of 4 MHz. Other center frequencies and bandwidths are available. Please consult the factory.

### Features

- 40 MHz Bandpass Filter
- 4 MHz min 3 dB Bandwidth
- 3 Watts Maximum Input
- 50  $\Omega$  Source and Load
- N Connectors

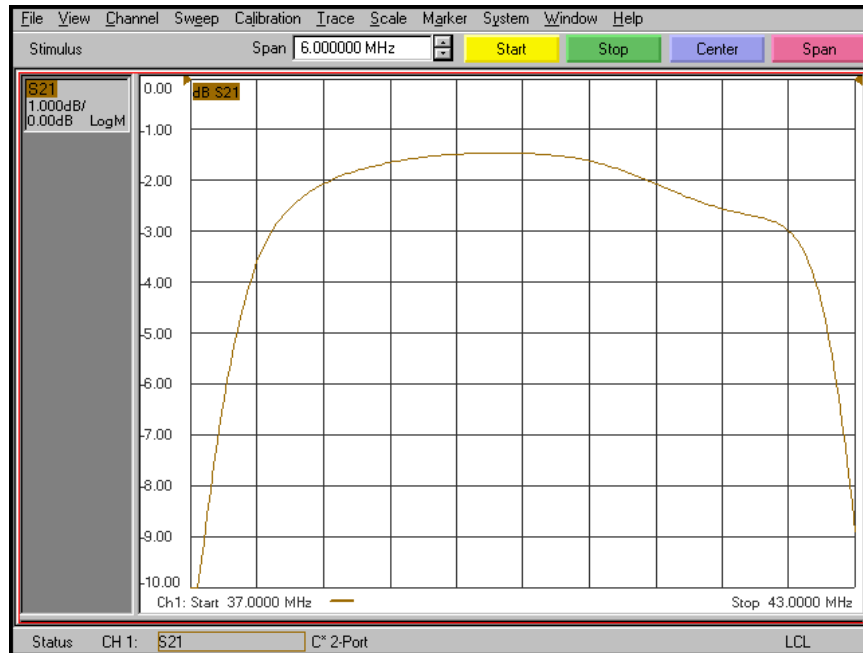
## Typical Performance

### Overall Response (10 dB/div)

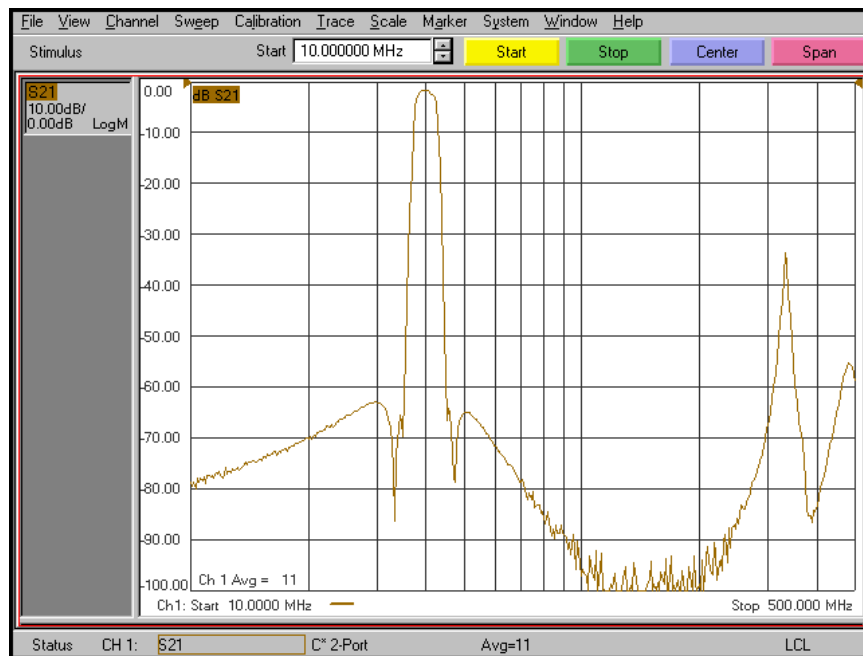


Typical Performance

**Passband Amplitude**  
(1 dB/div)



**Overall Response**  
(10 dB/div)



KR Electronics, Inc.  
91 Avenel Street  
Avenel, NJ 07001

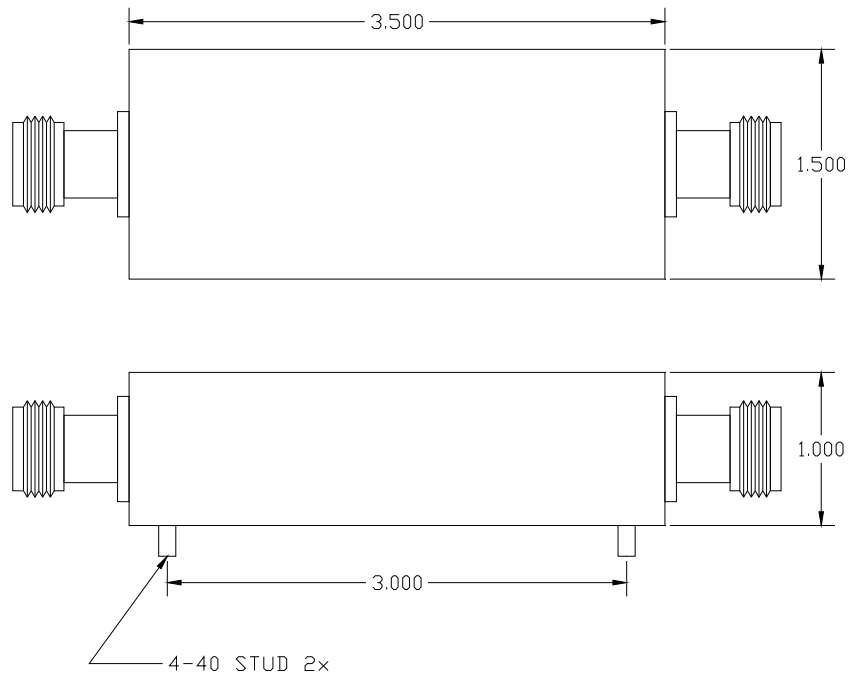
Web [www.krfilters.com](http://www.krfilters.com)  
Email [sales@krfilters.com](mailto:sales@krfilters.com)  
Phone (732) 636-1900  
Fax (732) 636-1982

# KR Electronics 2510-N

## Specifications

Parameter	Specification	Notes
Filter type	Bandpass	
Center Frequency Fc	40 MHz	
Insertion Loss at Fc	3 dBa max	2 dBa typical
3 dBc Bandwidth	4 MHz min	5 MHz typical
55 dBc Bandwidth	10 MHz max	60 dBc typical
Input Power in Passband	3 Watts max	
Source and Load	50 Ω	

## Physical Dimensions



**Notes:**

1. Dimensions in inches
2. Connectors N(F) In/Out
3. Rectangular case

KR Electronics, Inc.  
91 Avenel Street  
Avenel, NJ 07001

Web [www.krfilters.com](http://www.krfilters.com)  
Email [sales@krfilters.com](mailto:sales@krfilters.com)  
Phone (732) 636-1900  
Fax (732) 636-1982