

KR 2426 MHz Lowpass Filter

General Description

KR Electronics 2426 is a 320 MHz Lowpass filter supplied in a small surface mount package. Passband frequencies from 10 MHz to 500 MHz are available. Consult factory for other passband frequencies.



Features

- Surface Mount Package
- 50 Ω Source and Load

Typical Performance—320 MHz Cutoff Frequency

Passband Amplitude

(0.50 dB/div 100 KHz to 320 MHz)

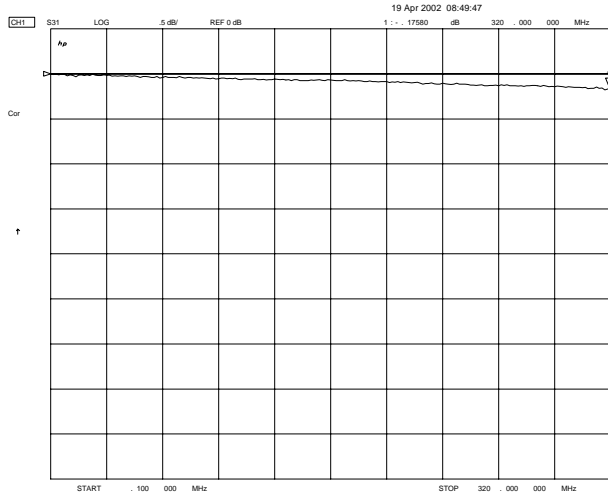


Figure 1

Overall Response

(10 dB/div 30 KHz to 3 GHz)

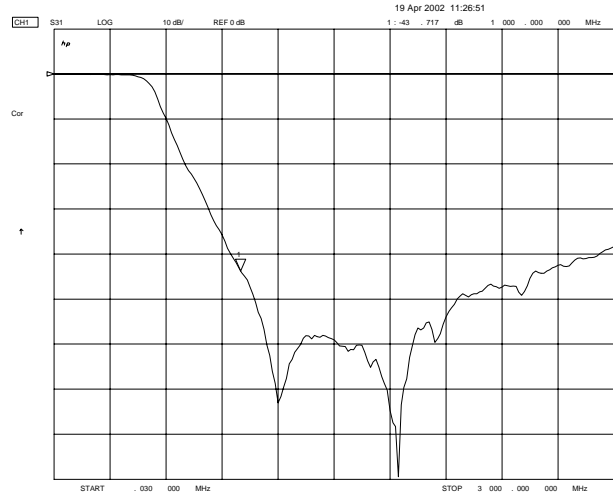


Figure 2

KR Electronics, Inc.
91 Avenel Street
Avenel, NJ 07001

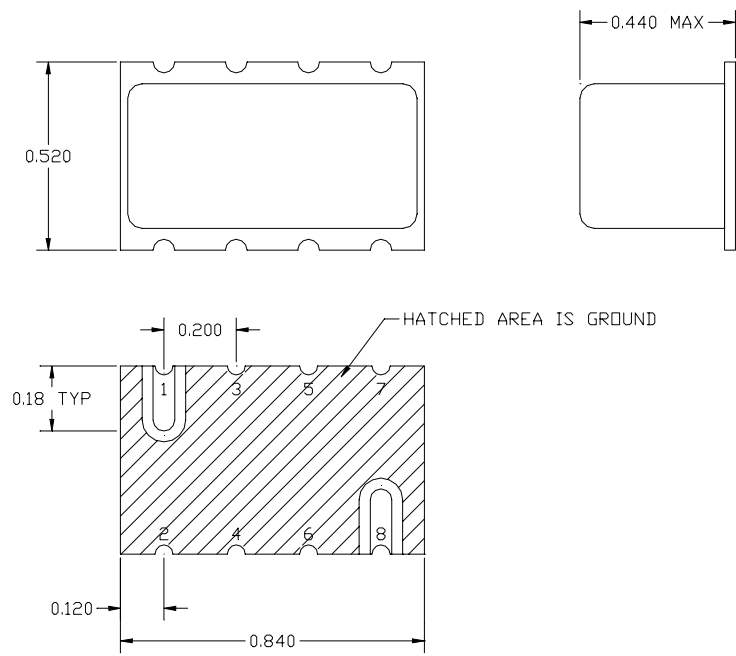
Web www.krfilters.com
Email sales@krfilters.com
Phone (732) 636-1900
Fax (732) 636-1982

KR 2426 Lowpass

Specifications

Parameter	Specification	
Filter type	Lowpass	
End of Passband (< 0.5 dB)	320 MHz	Other frequencies available
Source & Load	50 Ω	
Attenuation at 1 GHz	> 35 dB	

Physical Dimensions



- NOTES:
 1. INPUT IS 1
 2. OUTPUT IS 8
 3. ALL OTHERS ARE GROUND

KR Electronics, Inc.
 91 Avenel Street
 Avenel, NJ 07001

Web www.krfilters.com
 Email sales@krfilters.com
 Phone (732) 636-1900
 Fax (732) 636-1982