

KR Electronics, Inc.

General Description

KR Electronics part number 2314 is a 50 KHz highpass filter. The filter has attains 55 dB min at 25 KHz. Other frequencies are available. Please consult the factory.

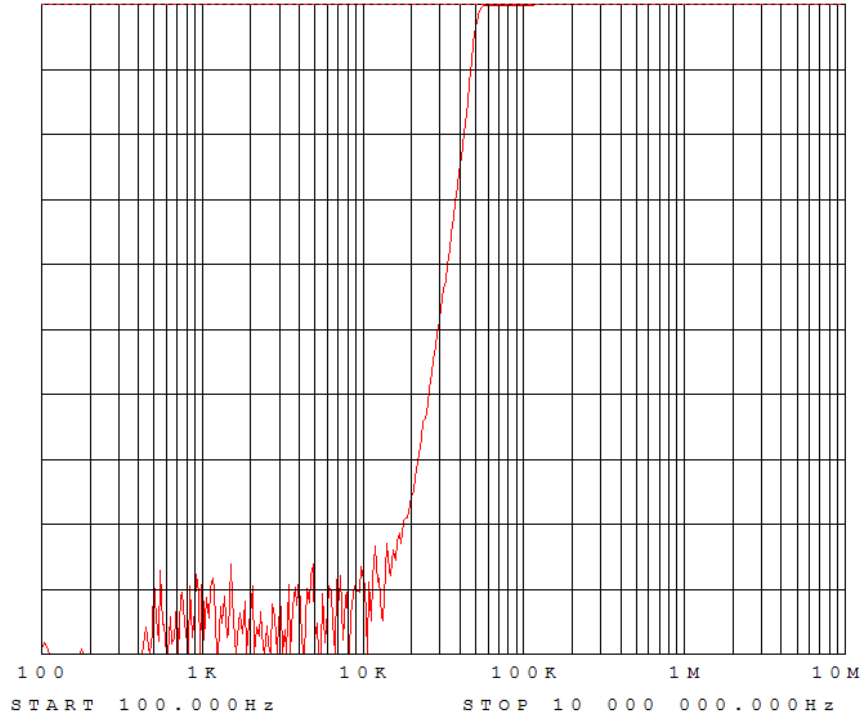
Features

- 50 KHz Highpass Filter
- 55 dB min at 25 KHz
- 50 Ω Source and Load
- BNC Connectors

Typical Performance

Overall Response (10 dB/div)

REF LEVEL / DIV
0.000 dB 10.000 dB



KR Electronics, Inc.
91 Avenel Street
Avenel, NJ 07001

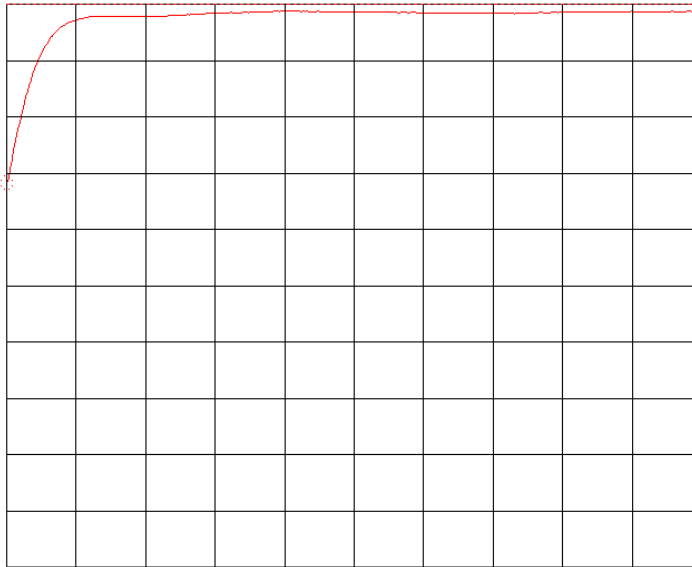
Web www.krfilters.com
Email sales@krfilters.com
Phone (732) 636-1900
Fax (732) 636-1982

KR Electronics 2314

Passband Amplitude

(1 dB/div)

REF LEV 0.000dB 1.000dB MAG(UDF) -3.173dB

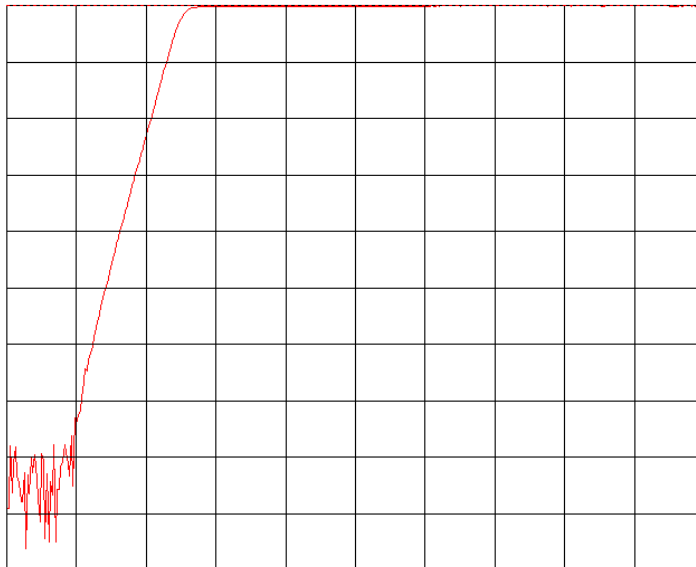


START 50 000.000Hz STOP 100 000.000Hz
AMPTD 0.0dBm

Overall Response

(10 dB/div)

REF LEVEL /DIV
0.000dB 10.000dB



START 1 000.000Hz STOP 201 000.000Hz
AMPTD 0.0dBm

KR Electronics, Inc.
91 Avenel Street
Avenel, NJ 07001

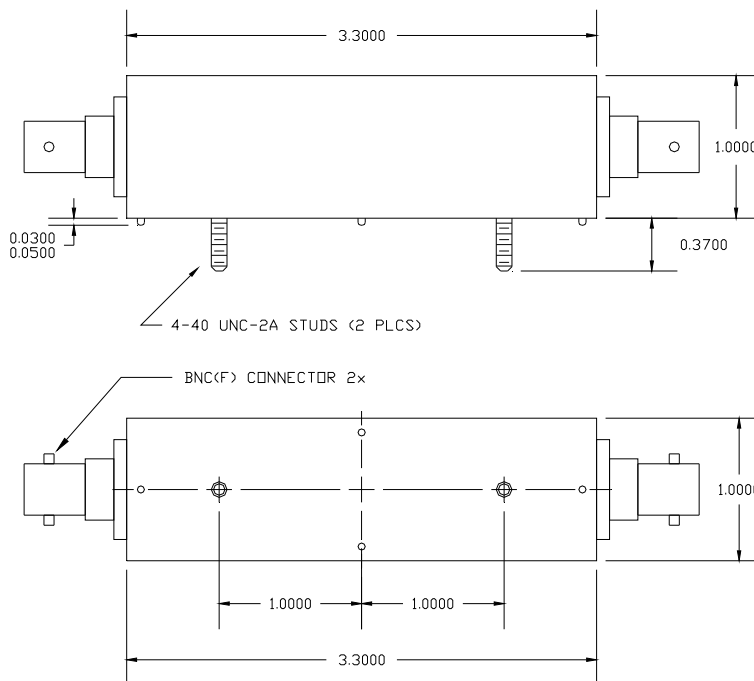
Web www.krfilters.com
Email sales@krfilters.com
Phone (732) 636-1900

KR Electronics 2314

Specifications

Parameter	Specification
Filter type	Highpass
DC to 25 KHz	55 dB min
50 KHz	3 dB ± 1 dB
Passband (< 1 dB)	to 20 MHz min
Source and Load	50 Ω

Physical Dimensions



Notes:

1. Dimensions in inches
2. Rectangular case
3. Other connectors and case configurations available

KR Electronics, Inc.
91 Avenel Street
Avenel, NJ 07001

Web www.krfilters.com
Email sales@krfilters.com
Phone (732) 636-1900
Fax (732) 636-1982