

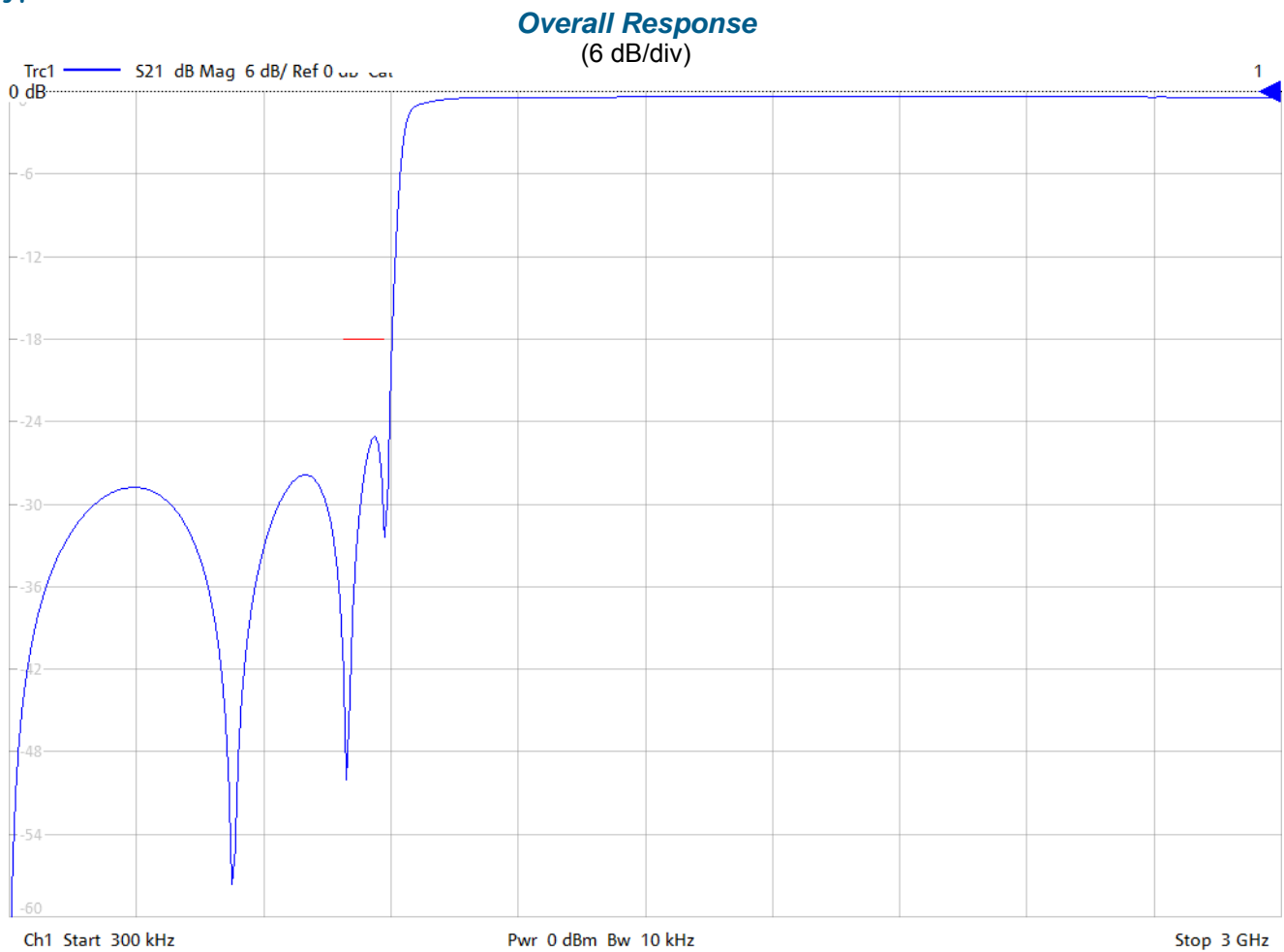
## General Description

KR Electronics part number 3338+ is a 968 MHz highpass filter. Other frequencies are available. Please consult the factory.

### Features

- 968 MHz Highpass Filter
- Selective Elliptic Type Filter
- 50  $\Omega$  Source and Load
- Miniature surface mount package 0.20" x 0.30" x 0.181"

## Typical Performance



KR Electronics, Inc.  
91 Avenel Street  
Avenel, NJ 07001

Web [www.krfilters.com](http://www.krfilters.com)  
Email [sales@krfilters.com](mailto:sales@krfilters.com)  
Phone (732) 636-1900  
Fax (732) 636-1982

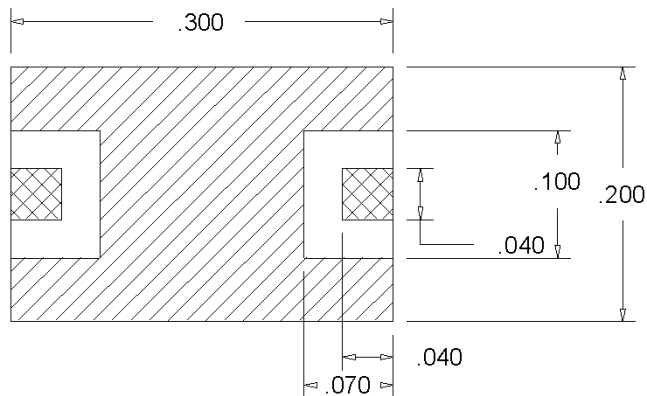
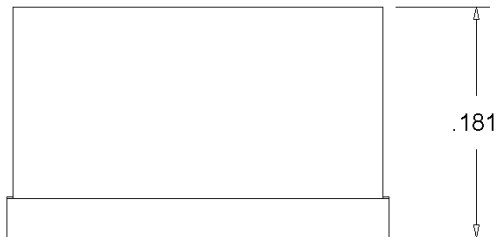


# KR Electronics 3338+

## Specifications

Parameter	Specification	
Filter type	Highpass	
Passband ( $\leq 2$ dB)	967.5 to 3000 MHz	>4000 MHz typical
Reject Band ( $\geq 18$ dB)	dc to 885.5 MHz	
Source and Load	50 $\Omega$	

## Physical Dimensions



### Notes:

1. Surface mount package
2. Dimensions in inches
3. Tolerance unless noted  $\pm 0.010$ "
4. Max reflow temperature 230° C for 10 sec
5. If boards are cleaned after installation units must be completely dried